

THERMOROSSI



CREO – CREO SUPREME

ITA - MANUALE DI INSTALLAZIONE.
FRA - MANUEL D'INSTALLATION.
ENG - INSTALLATION GUIDE.
DEU - INSTALLATIONSANLEITUNG.
ESP - MANUAL DE INSTALACIÓN.
NL - HANDLEIDING VOOR INSTALLATIE.

INDEX

INSTRUCTIONS VALID ONLY FOR CREO 3

1 – INTRODUCTION..... 3

2 – COMPONENTS 3

3 – ASSEMBLING THE CASING 4

INSTRUCTIONS VALID ONLY FOR CREO SUPREME 7

1 – INTRODUCTION..... 7

2 – COMPONENTS 7

3 – ASSEMBLING THE CASING 8

INSTRUCTIONS VALID ONLY FOR CREO

1 – INTRODUCTION

1.1 GENERAL GUIDELINES

We recommend cleaning the casing with a dry microfibre cloth, when the appliance is switched off and completely cold.

Thermorossi S.p.A. retains copyright on these service instructions. These instructions may not be reproduced or communicated to third parties or used in any other way without the necessary authorisation.

1.2 TRANSPORTATION AND STORAGE

TRANSPORTATION AND HANDLING

Take special care to protect all the fragile parts from mechanical impact which could damage them.

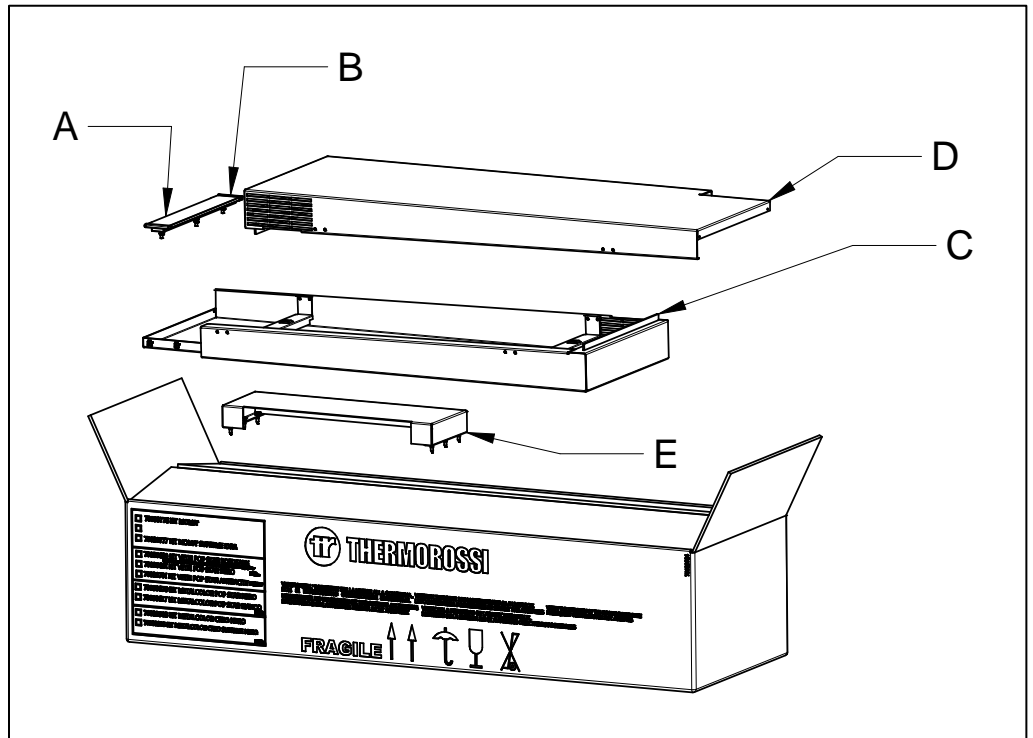
STORAGE

The casing must be stored in a humid-free environment and sheltered from the weather; avoid placing the casing directly on the ground. The company is not responsible for damages caused by negligence.

2 – COMPONENTS

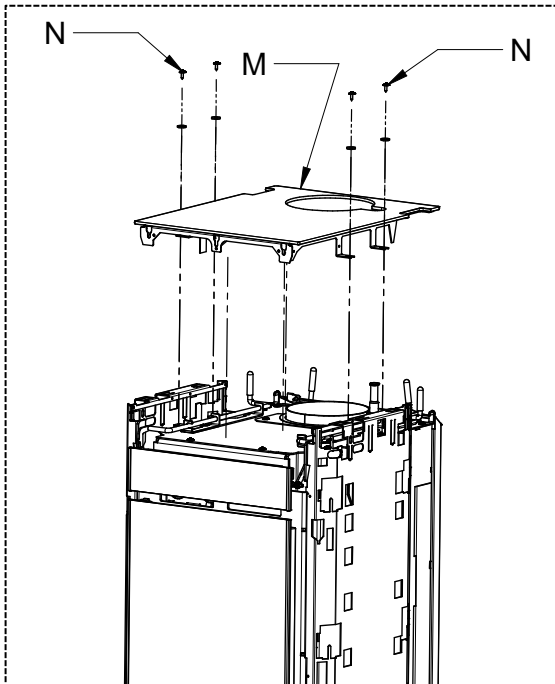
The kit includes the following elements:

A	Glass bracket
B	Front glass
C	Right side panel
D	Left side panel
E	Lower profile



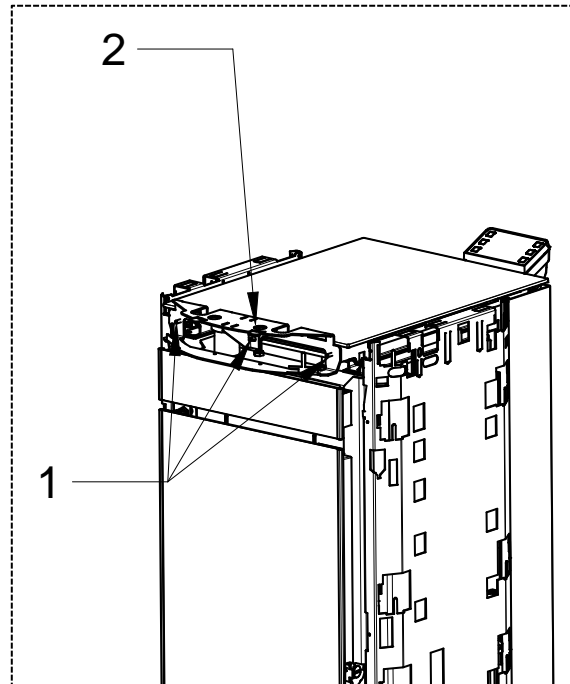
Attention: the casings are delicate and must be handled with extreme care. Use soft cotton gloves when handling them. Clean with soft dry microfibre cloths for delicate surfaces such as lenses or glasses.

3 – ASSEMBLING THE CASING

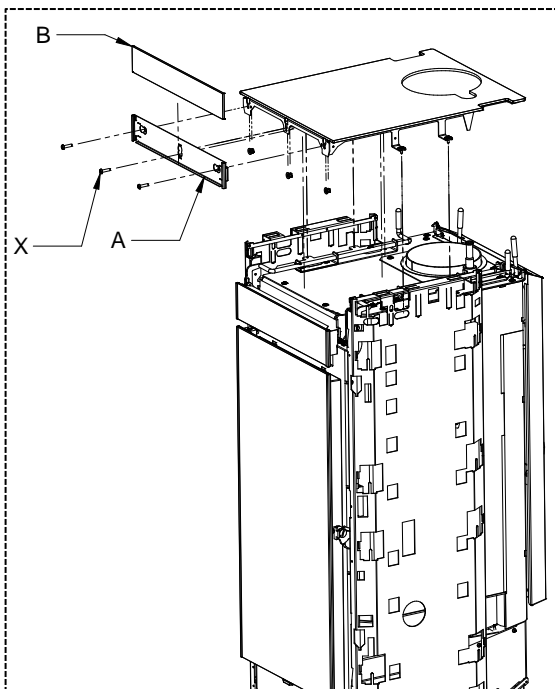


1 – Take off the upper top (M) by undoing the 4 screws (N).

ATTENTION: for **PELLET** bodies, do not carry out this operation; start directly from the next point.

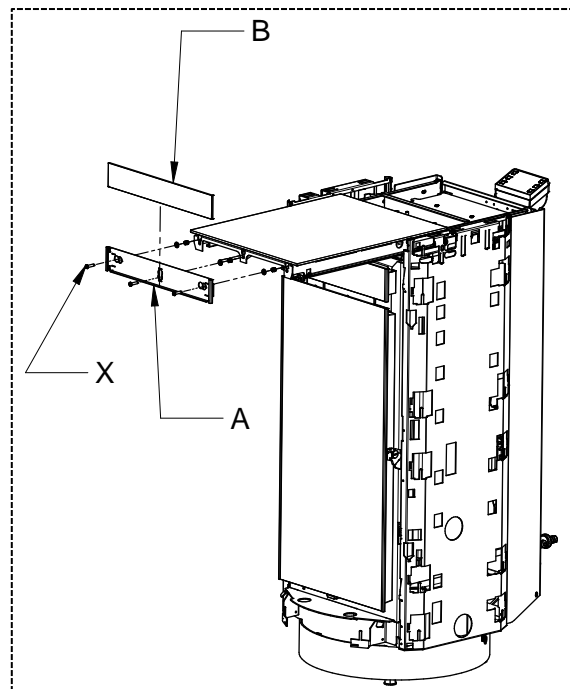


2 – Remove the 3 screws (1) securing the front bracket (2). Eliminate the bracket (2).



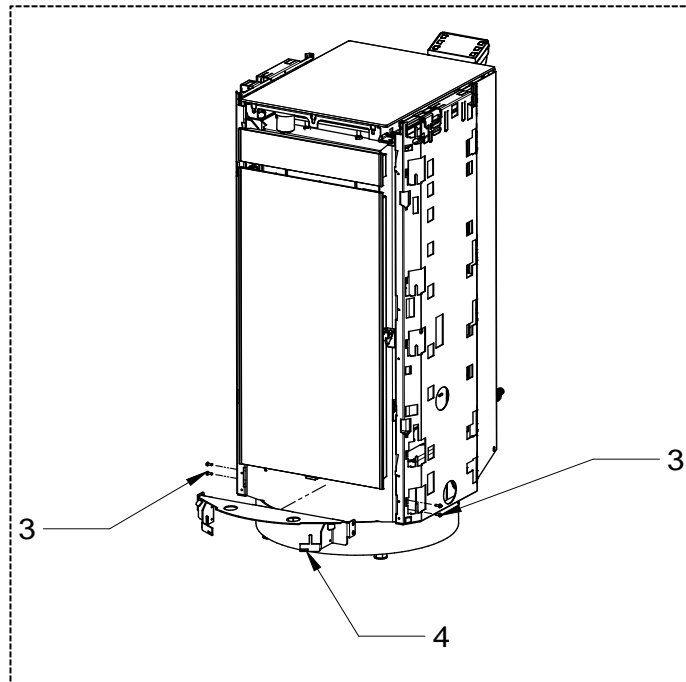
3 – Fasten the glass bracket (A) to the appliance using the screws (X) supplied in the kit. Then slide the glass (B) into the glass bracket (A). Then refit the upper top (M).

ATTENTION: for **PELLET** bodies, do not carry out this operation; start directly from the next point.

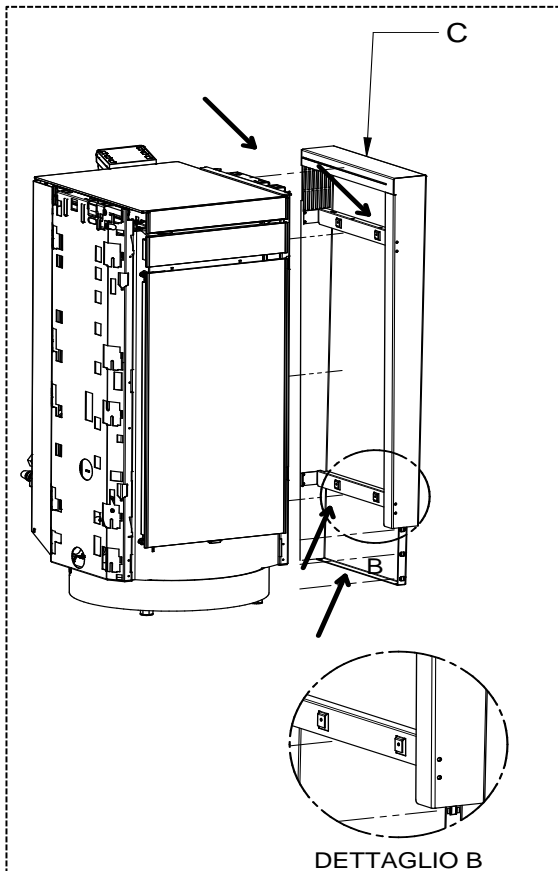


4 – Fasten the glass bracket (A) to the appliance using the screws (X) supplied in the kit. Then slide the glass (B) into the glass bracket (A).

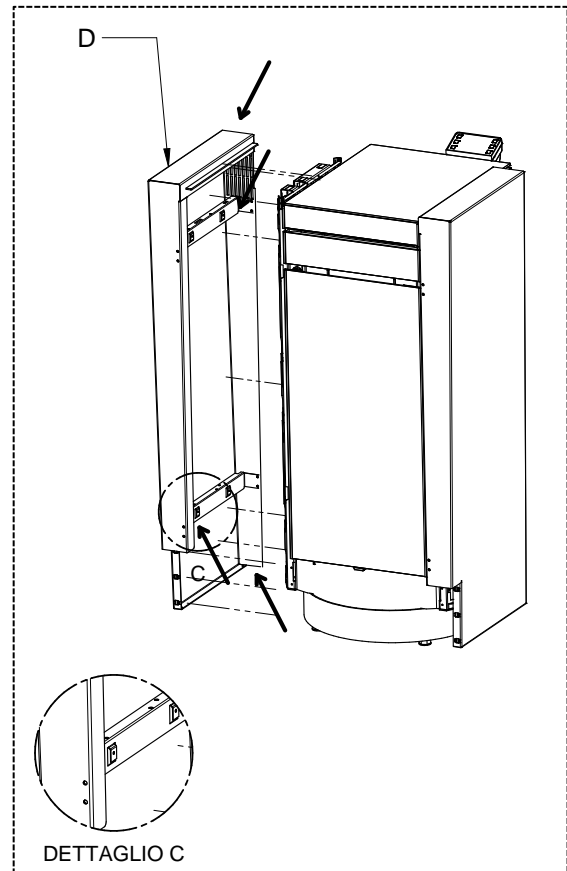
ATTENTION: for **WOOD** bodies, do not carry out this operation; go directly to the next point.



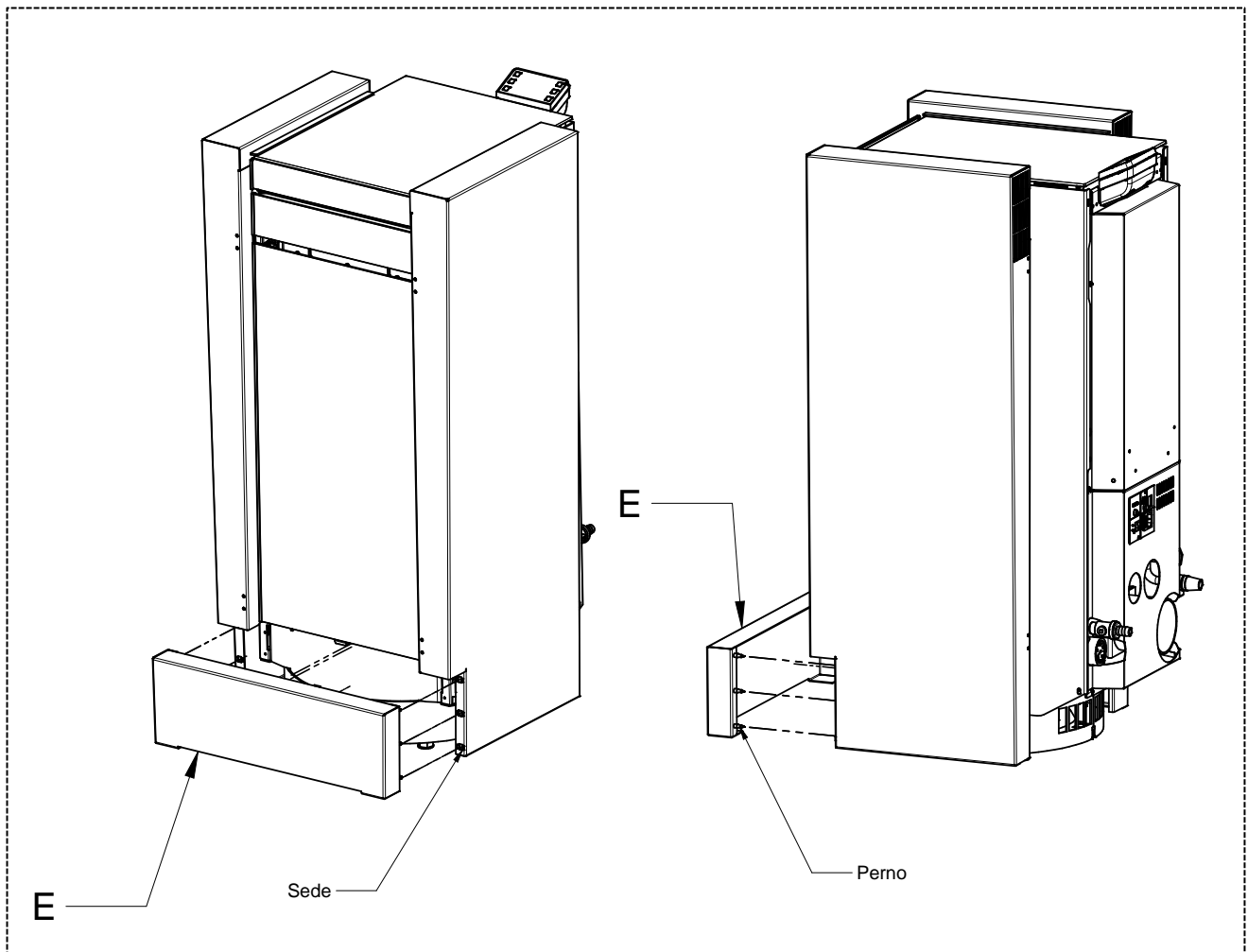
5 – Remove the lower bracket (4) by unscrewing the 4 screws (3). Eliminate the lower bracket (4).



6 – Fit the right-hand side panel (C) inserting the flaps (DETAIL B) into the appropriate seats. It is advisable to widen the flaps by 1 or 2 mm.



7 – Fit the left-hand side panel (D) inserting the flaps (DETAIL C) into the appropriate seats. It is advisable to widen the flaps by 1 or 2 mm.



8 – Fit the lower profile (E) by fitting the studs (Perno) into the appropriate seats (Sede). It is advisable to fit the 3 studs on one side first, then the 3 studs on the other side.

INSTRUCTIONS VALID ONLY FOR CREO SUPREME

1 – INTRODUCTION

1.1 GENERAL GUIDELINES

We recommend cleaning the casing with a dry microfibre cloth, when the appliance is switched off and completely cold.

Thermorossi S.p.A. retains copyright on these service instructions. These instructions may not be reproduced or communicated to third parties or used in any other way without the necessary authorisation.

1.2 TRANSPORTATION AND STORAGE

TRANSPORTATION AND HANDLING

Take special care to protect all the fragile parts from mechanical impact which could damage them.

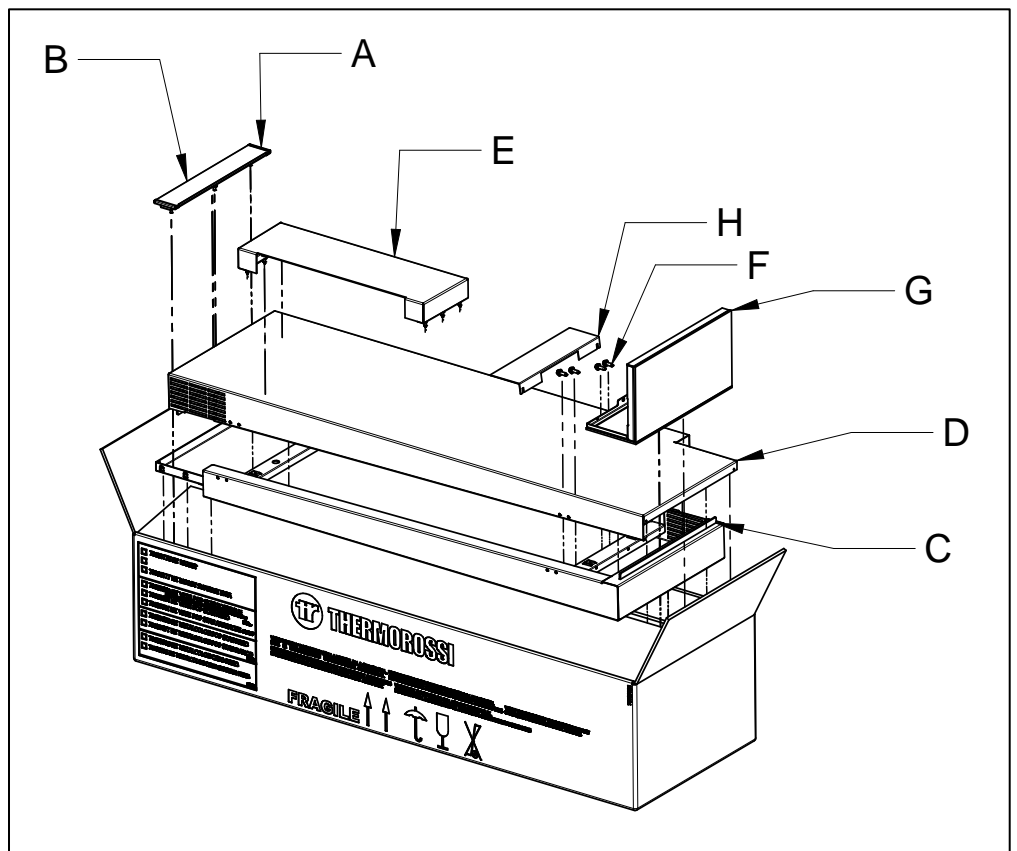
STORAGE

The casing must be stored in a humid-free environment and sheltered from the weather; avoid placing the casing directly on the ground. The company is not responsible for damages caused by negligence.

2 – COMPONENTS

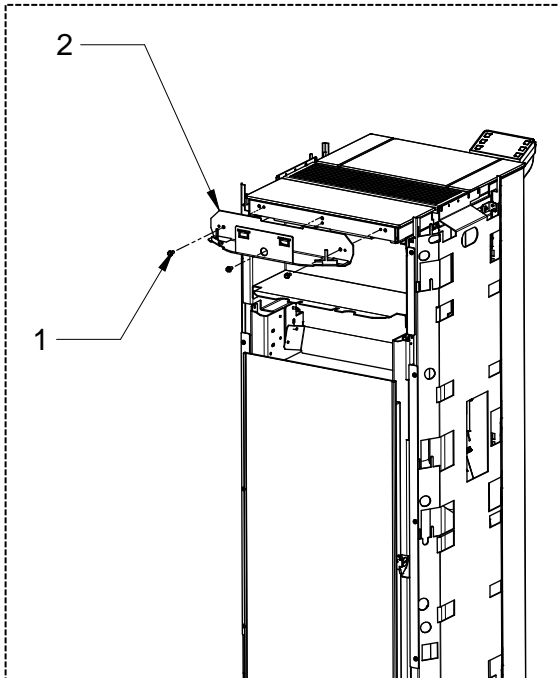
The kit includes the following elements:

A	Glass bracket
B	Front glass
C	Right side panel
D	Left side panel
E	Lower profile
F	Screws
G	Food warmer
H	Air deflector

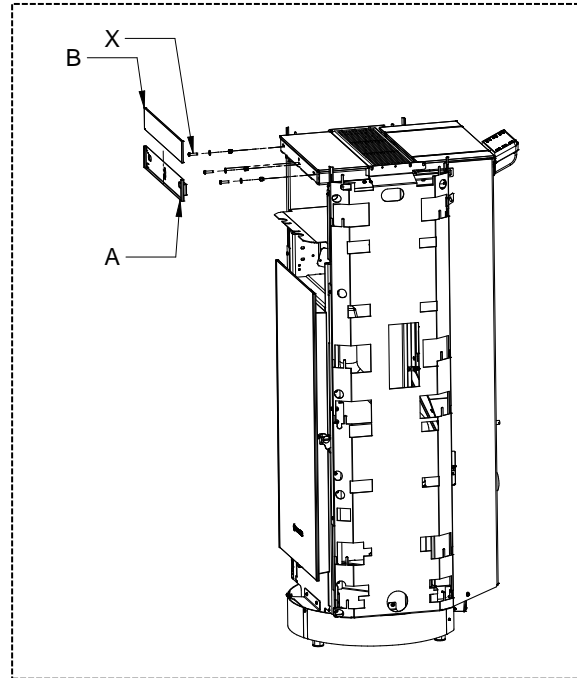


Attention: the casings are delicate and must be handled with extreme care. Use soft cotton gloves when handling them. Clean with soft dry microfibre cloths for delicate surfaces such as lenses or glasses.

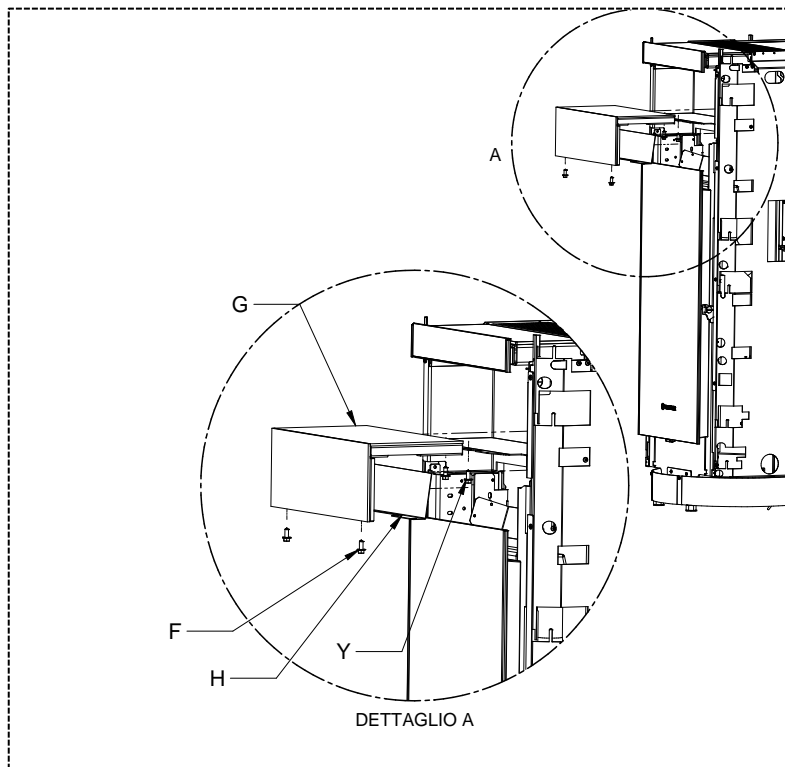
3 – ASSEMBLING THE CASING



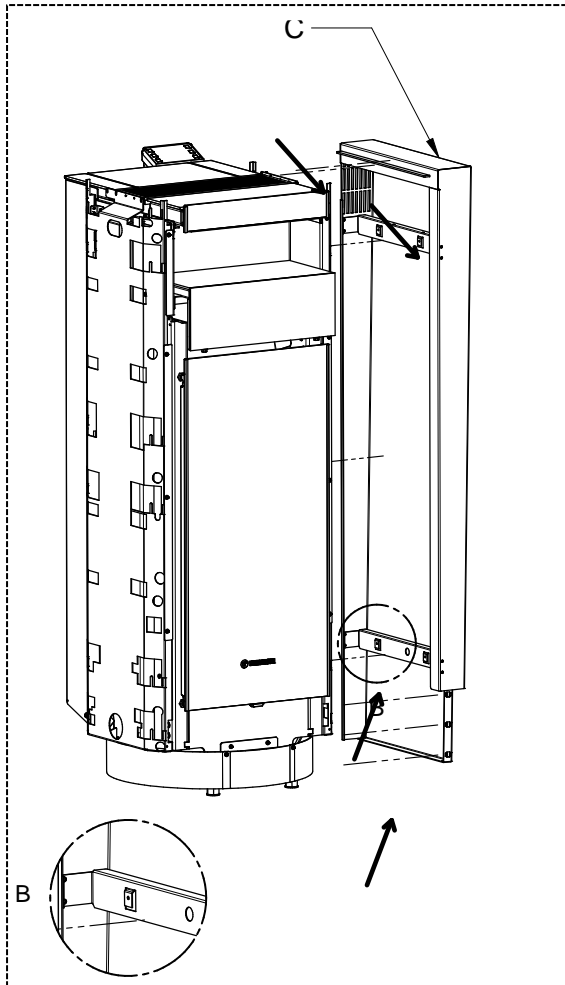
1 – Remove the 3 screws (1) securing the front bracket (2). Eliminate the bracket (2).



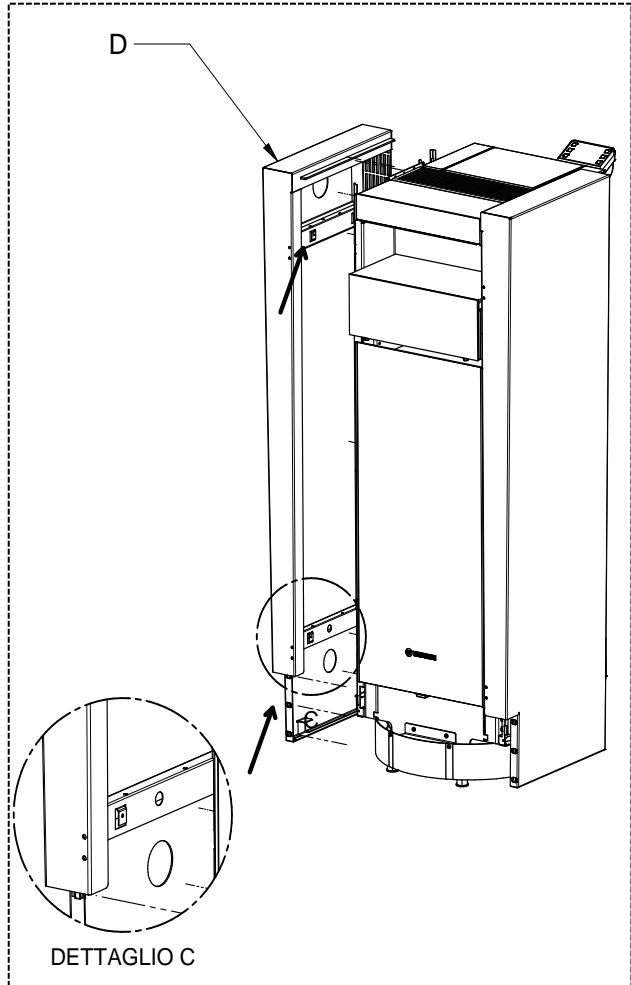
2 – Fasten the glass bracket (A) to the appliance using the screws (X) supplied in the kit. Then slide the glass (B) into the glass bracket (A).



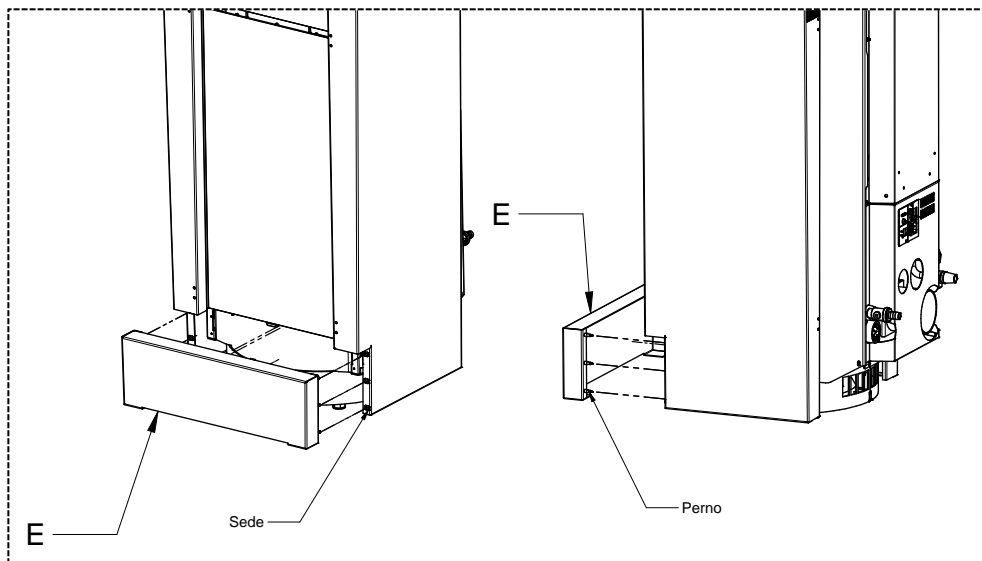
3 – Fix the air deflector (H) to the food warmer (G) using the screws (F). Then secure all to the appliance using the screws (Y). see detail A



4 – Fit the right-hand side panel (C) inserting the flaps (DETAIL B) into the appropriate seats. It is advisable to widen the flaps by 1 or 2 mm.



5 – Fit the left-hand side panel (D) inserting the flaps (DETAIL C) into the appropriate seats. It is advisable to widen the flaps by 1 or 2 mm.



6 – Fit the lower profile (E) by fitting the studs (Perno) into the appropriate seats (Sede). It is advisable to fit the 3 studs on one side first, then the 3 studs on the other side.



THERMOROSSI 

Fire Lovers

THERMOROSSI S.p.A.

Via Grumolo, 4 (Z.I.) 36011 Arsiero (VI) - ITALY

Fax 0445.741657 - www.thermorossi.com - info@thermorossi.it