

After unpacking the Serbcom, proceed to assemble it as indicated below:

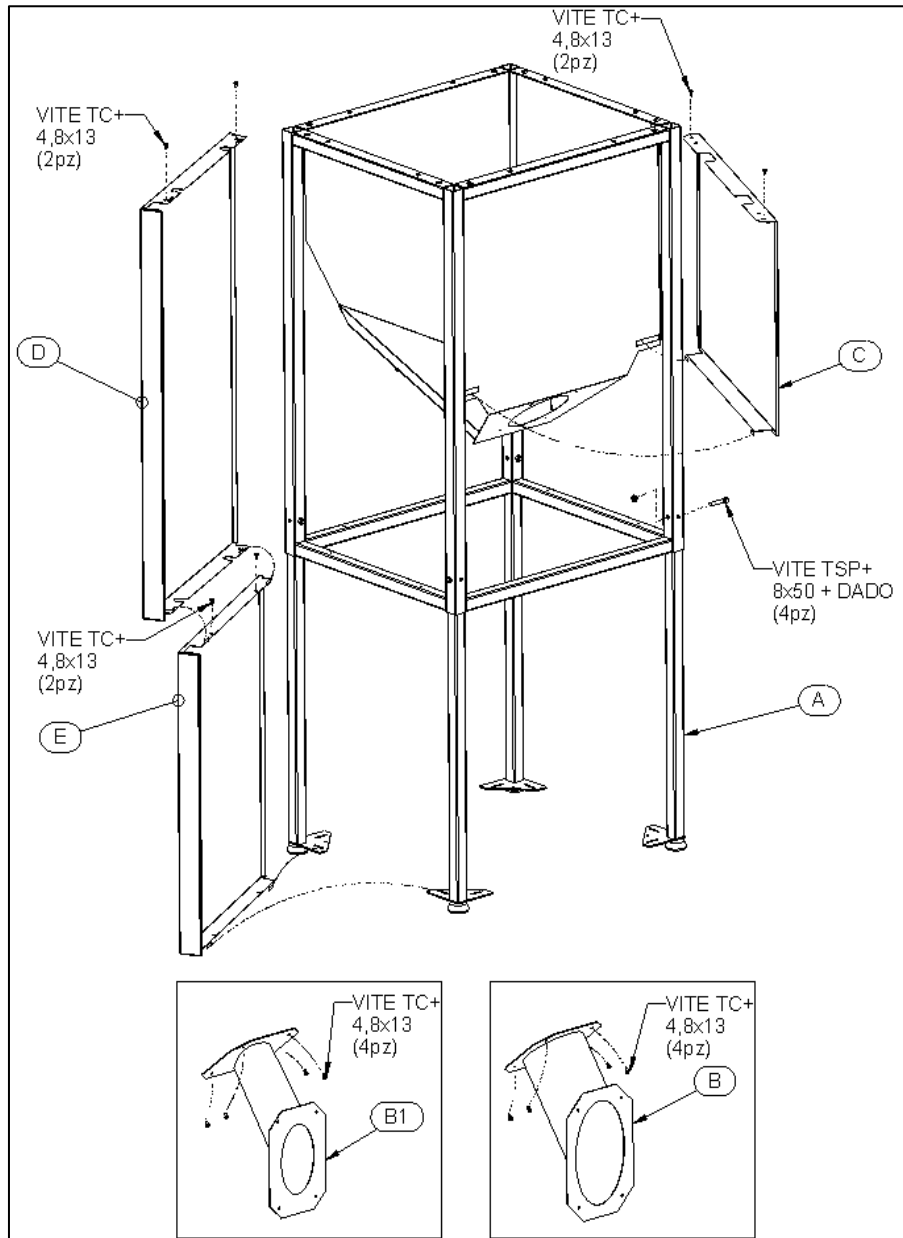
- 1) Fasten the 4 telescopic legs **A** using the screws provided (screws TSP+ 8x50).
- 2) Fasten the pellet chute **B** or **B1** to the tank using the screws provided (screws TC+ 4.8x13).

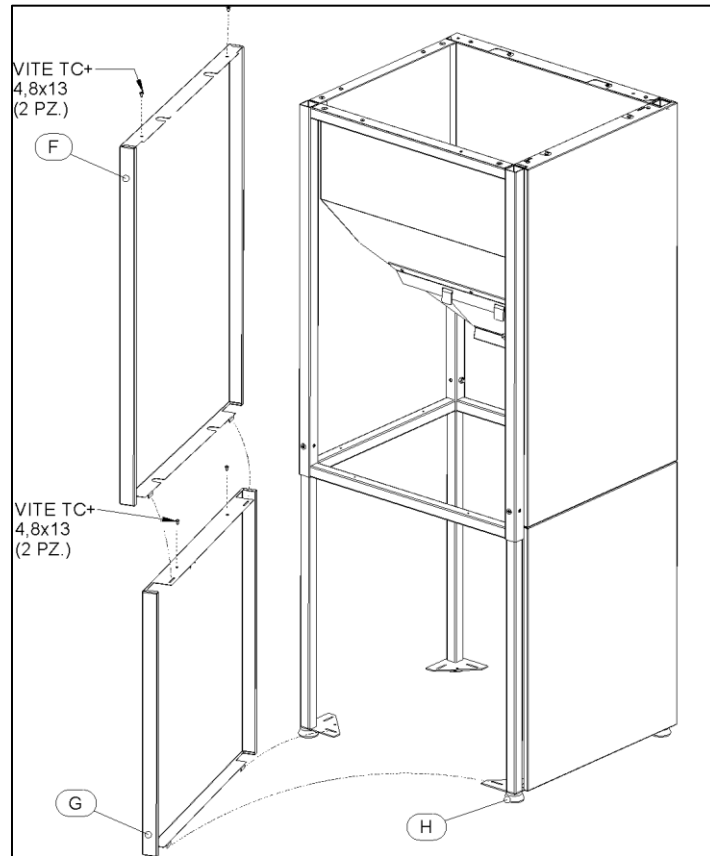
Attention:

Use chute **B1** (diameter 100 mm) for the following products: Compact S13 - Compact S19 - Compact S23

Use chute **B** (diameter 154 mm) for the following products: Compact S26 - Compact S32

- 3) Mount the panel **C** by inserting the bottom folds on the holes of the tank, and then securing it using the screws provided (screws TC+ 4.8x13).
- 4) Similarly, fasten the panel **E** using the screws provided (screws TC+ 4.8x13).
- 5) Then mount the panel **D** by lining up the lower rectangular holes on the panel folds **E** and fastening them using the screws provided (screws TC+ 4.8x13).
- 6) Panels **D** and **E** can be mounted to the right or the left of the pellet chute **B**; if mounted on the right side, then mount the additional tank to the right of the boiler.
- 7) Fix the panel **G** by firstly inserting the folds on the bottom on the mounting feet then securing them with the screws provided (screws TC+ 4.8x13).
- 8) Next, mount the panel **F** by inserting the bottom folds on the holes in the panel **G**.





CONNECTION WITH THE GENERATOR

After having assembled the additional tank proceed to mount the tank to the generator:

- 1) First, decide in which side to install the additional tank.
- 2) Remove side panel **I** from the boiler.
- 3) Remove cover **L** from the tank by undoing screws **M**.
- 4) Move the tank that you have just assembled closer to the generator. Install flange **N** only on models Compact S19 - Compact S23.
- 5) Fasten the assembly using the screws previously removed from cover **L**.

