

# THERMOROSSI



## CHIC – CHIC SUPREME

ITA - MANUALE DI INSTALLAZIONE.  
FRA - MANUEL D'INSTALLATION.  
ENG - INSTALLATION GUIDE.  
DEU - INSTALLATIONSANLEITUNG.  
ESP - MANUAL DE INSTALACIÓN.  
NL - HANDLEIDING VOOR INSTALLATIE.



**INDEX**

<b>INSTRUCTIONS VALID ONLY FOR CHIC.....</b>	<b>3</b>
<b>1 – INTRODUCTION.....</b>	<b>3</b>
<b>2 – COMPONENTS .....</b>	<b>3</b>
<b>3 – ASSEMBLING THE CASING .....</b>	<b>4</b>
<b>INSTRUCTIONS VALID ONLY FOR CHIC SUPREME .....</b>	<b>7</b>
<b>1 – INTRODUCTION.....</b>	<b>7</b>
<b>2 – COMPONENTS .....</b>	<b>7</b>
<b>3 – ASSEMBLING THE CASING .....</b>	<b>8</b>

# **INSTRUCTIONS VALID ONLY FOR CHIC**

## **1 – INTRODUCTION**

### **1.1 GENERAL GUIDELINES**



ATTENTION: The majolica elements are handcrafted so they could contain subtle surface imperfections, crazing or shade variations. The layer of glaze has an expansion factor that is different to that of the majolica tiles which is what causes the hairline cracks. This phenomenon is a natural process and is not a defect. We recommend cleaning the majolica tiles with a dry microfibre cloth. Using moist or wet cleaning cloths would show up the natural crazing even more.

*Thermorossi S.p.A. retains copyright on these service instructions. These instructions may not be reproduced or communicated to third parties or used in any other way without the necessary authorisation.*

### **1.2 TRANSPORTATION AND STORAGE**

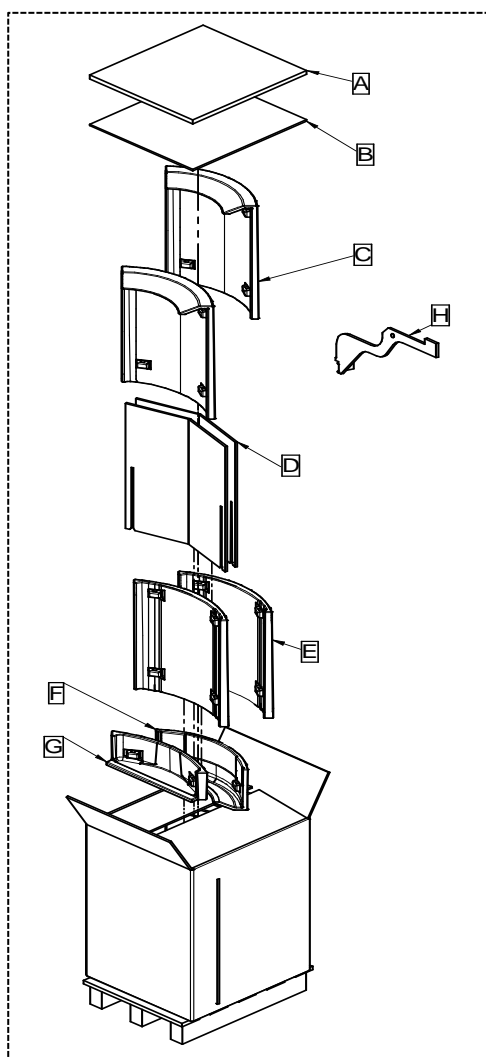
#### TRANSPORTATION AND HANDLING

Take special care to protect all the fragile parts from mechanical impact which could damage them.

#### STORAGE

The casing must be stored in a humid-free environment and sheltered from the weather; avoid placing the casing directly on the ground. The company is not responsible for damages caused by negligence.

## **2 – COMPONENTS**



The kit includes the following elements:

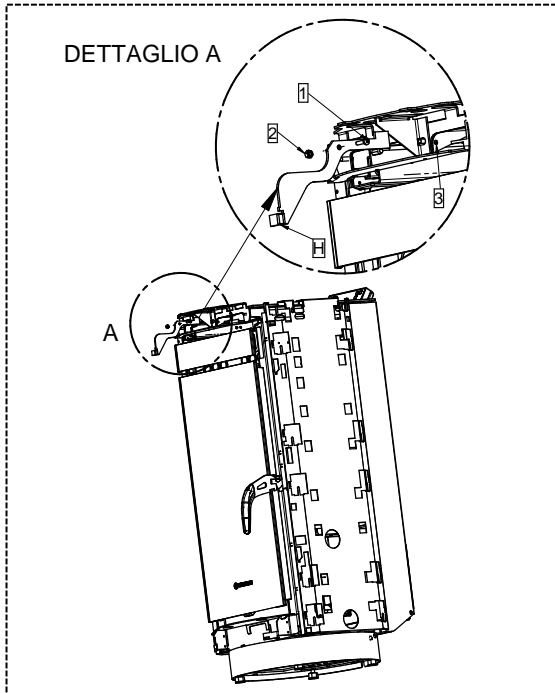
A - B	Protective polystyrene
C	Upper side panels
D	Protective cardboard
E	Lower side panels
F	Upper majolica
G	Lower majolica
H	Support bracket



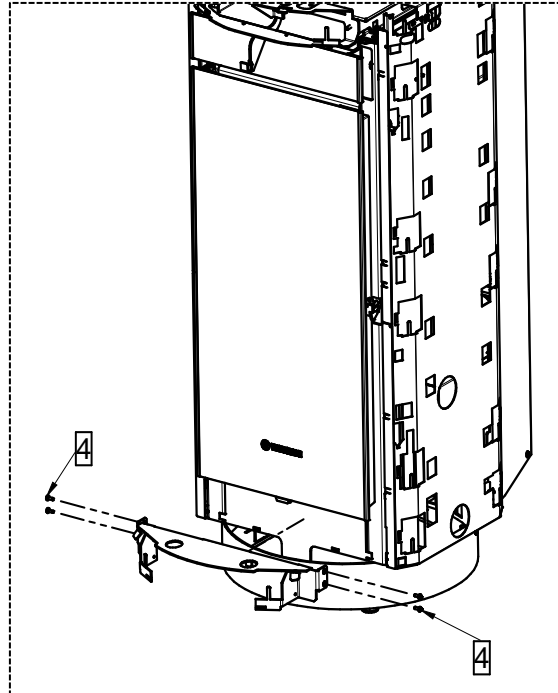
Attention: The majolica elements are delicate and must be handled with extreme care. Use soft cotton gloves when handling them. Clean with soft dry microfibre cloths for delicate surfaces such as lenses or glasses.

CASING CHIC – CHIC SUPREME

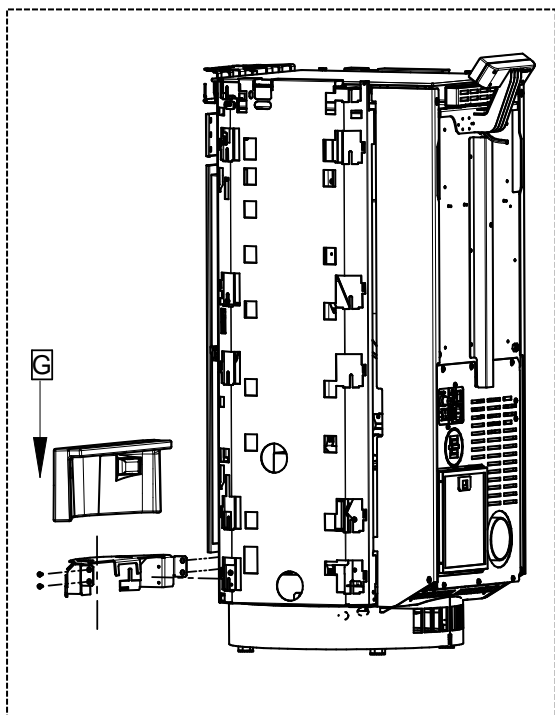
3 – ASSEMBLING THE CASING



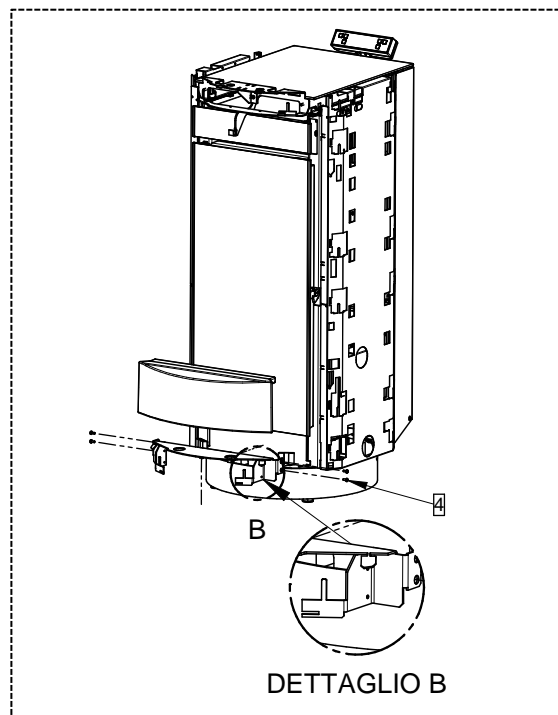
1 - Fasten the support bracket (H) to the hole (3) using the screw (1) and nut (2).  
**ATTENTION:** If your appliance has a **NATURAL** body, do not carry out this operation; start directly from the next point.



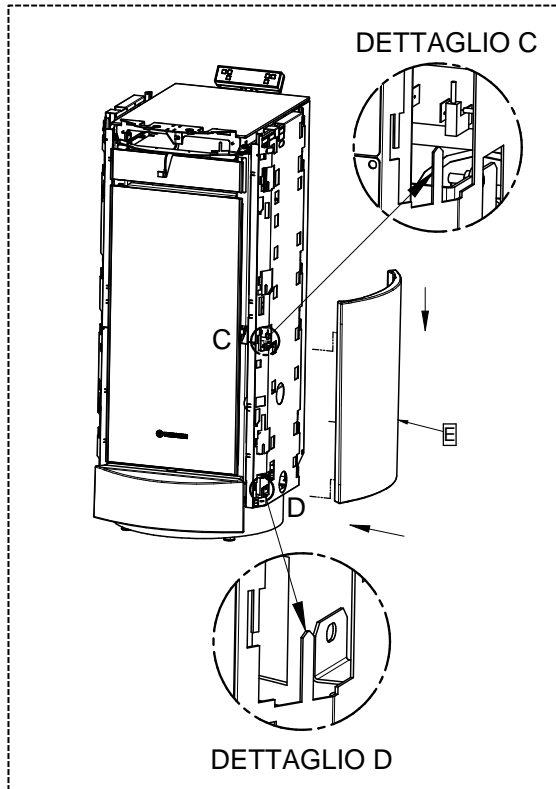
2 - Undo the 4 screws (4) and remove the majolica support bracket.



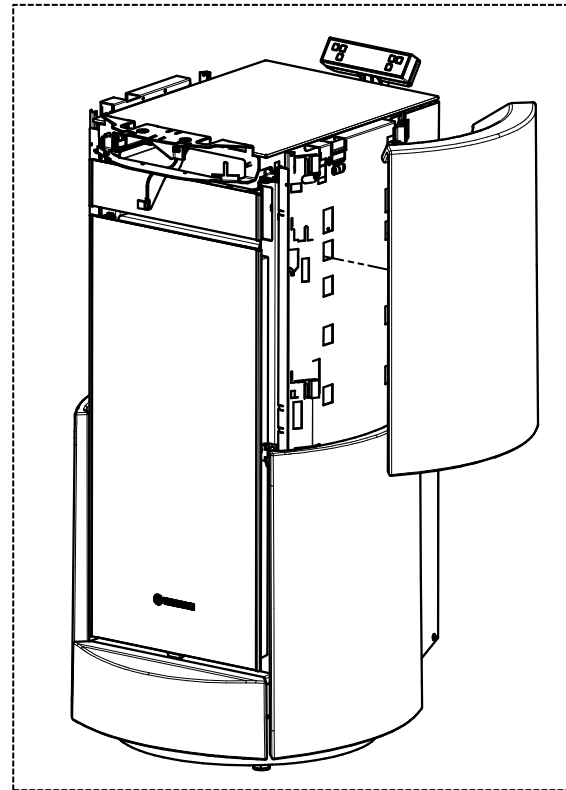
3 - Insert the lower majolica (G) on the bracket that you have just removed.



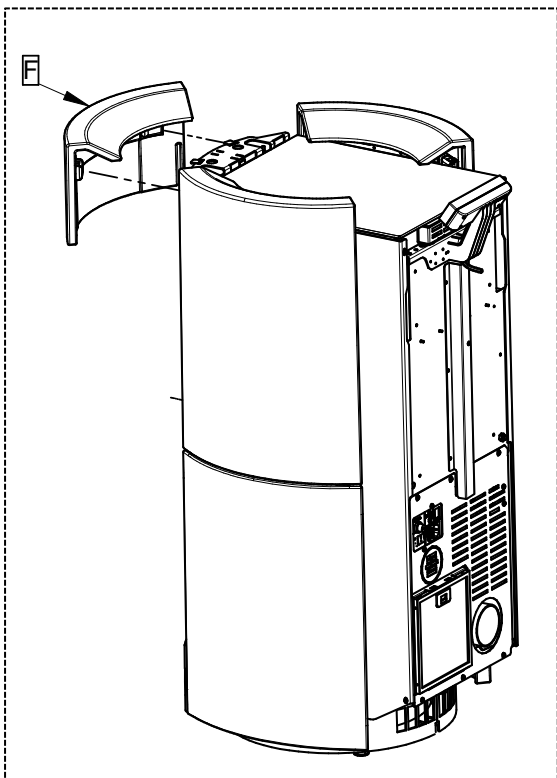
4 - Adjust the two teeth illustrated in the DETAIL B box to firmly secure the majolica to the bracket. Lastly fasten the bracket with the majolica using the 4 screws (4) removed earlier.



5 - Insert the lower side panel (E) on the teeth provided, as illustrated in details C and D. Slightly bend the teeth so as to firmly secure the majolica to the body. Carry out the same procedure on the opposite side.

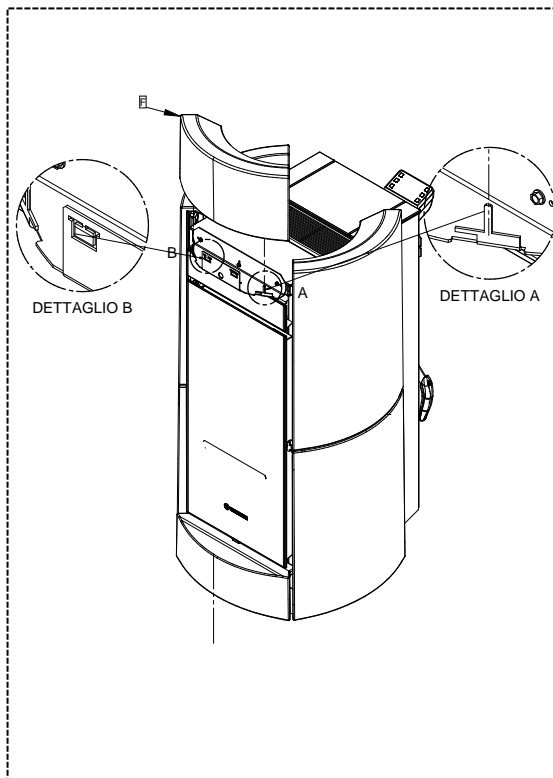


6 - Insert the upper side panel (C) on the teeth provided, as in the previous point. Slightly bend the teeth so as to firmly secure the majolica to the body. Carry out the same procedure on the opposite side.



7 - Insert the upper majolica (F) on the teeth provided. Slightly bend the teeth so as to firmly secure the majolica to the body.

**ATTENTION:** If your appliance has a **NATURAL** body, do not carry out this operation; start directly from the next point.



8 - Insert the upper majolica (F) on the teeth provided. Slightly bend the teeth so as to firmly secure the majolica to the body.

**ATTENTION:** This operation is only to be carried out on appliances with a **NATURAL** body.

# **INSTRUCTIONS VALID ONLY FOR CHIC SUPREME**

## **1 – INTRODUCTION**

### **1.1 GENERAL GUIDELINES**



ATTENTION: The majolica elements are handcrafted so they could contain subtle surface imperfections, crazing or shade variations. The layer of glaze has an expansion factor that is different to that of the majolica tiles which is what causes the hairline cracks. This phenomenon is a natural process and is not a defect. We recommend cleaning the majolica tiles with a dry microfibre cloth. Using moist or wet cleaning cloths would show up the natural crazing even more.

*Thermorossi S.p.A. retains copyright on these service instructions. These instructions may not be reproduced or communicated to third parties or used in any other way without the necessary authorisation.*

### **1.2 TRANSPORTATION AND STORAGE**

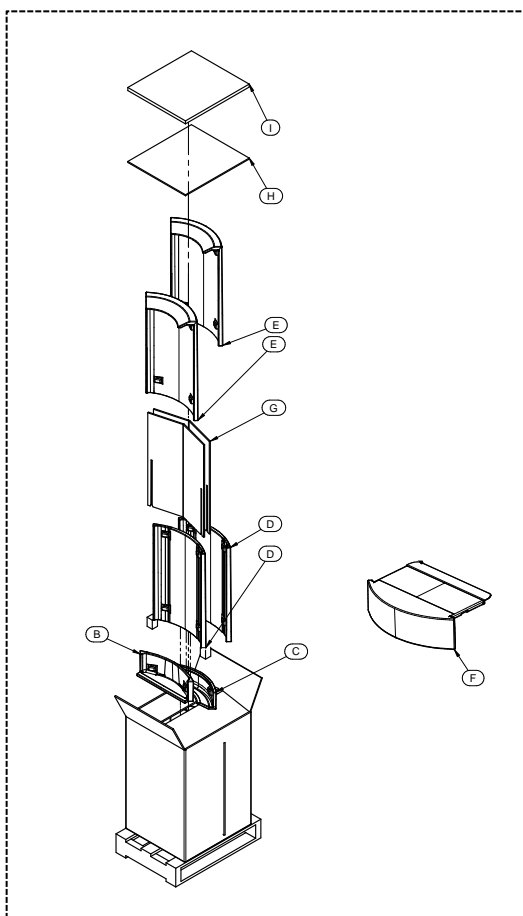
#### TRANSPORTATION AND HANDLING

Take special care to protect all the fragile parts from mechanical impact which could damage them.

#### STORAGE

The casing must be stored in a humid-free environment and sheltered from the weather; avoid placing the casing directly on the ground. The company is not responsible for damages caused by negligence.

## **2 – COMPONENTS**



The kit includes the following elements:

B	Lower majolica
C	Upper majolica
D	Lower side panels
E	Upper side panels
F	Central majolica (only for air products)
G-H	Protective cardboard
I	Protective polystyrene

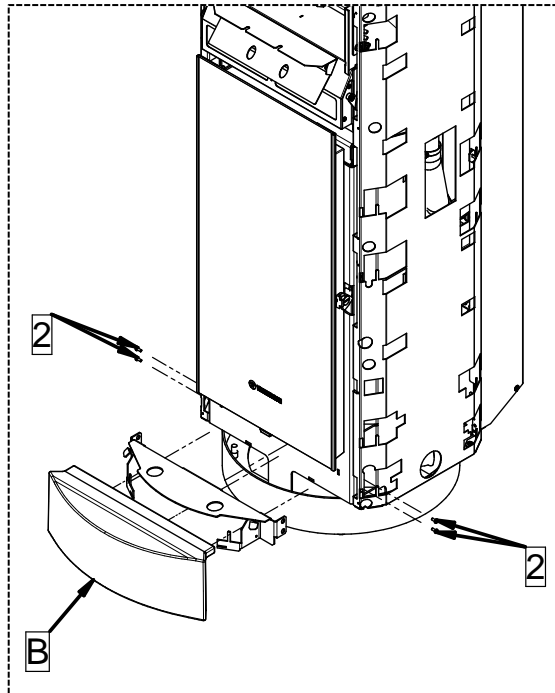


Attention: The majolica elements are delicate and must be handled with extreme care. Use soft cotton gloves when handling them. Clean with soft dry microfibre cloths for delicate surfaces such as lenses or glasses.

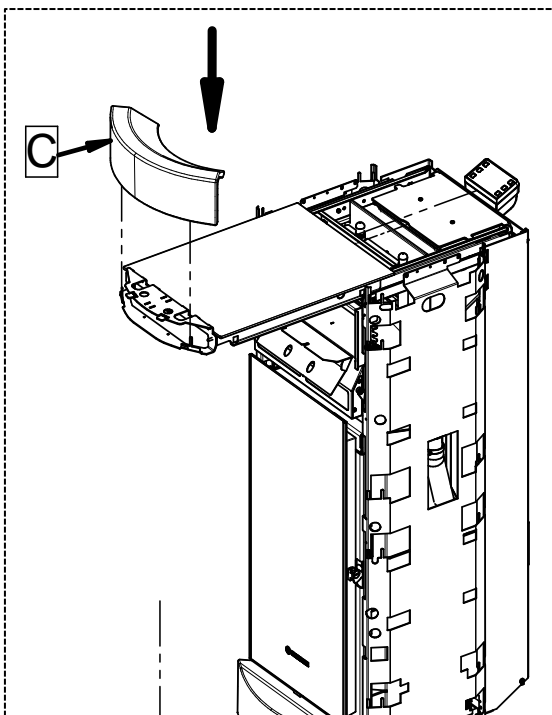


**CASING CHIC – CHIC SUPREME**

**3 – ASSEMBLING THE CASING**

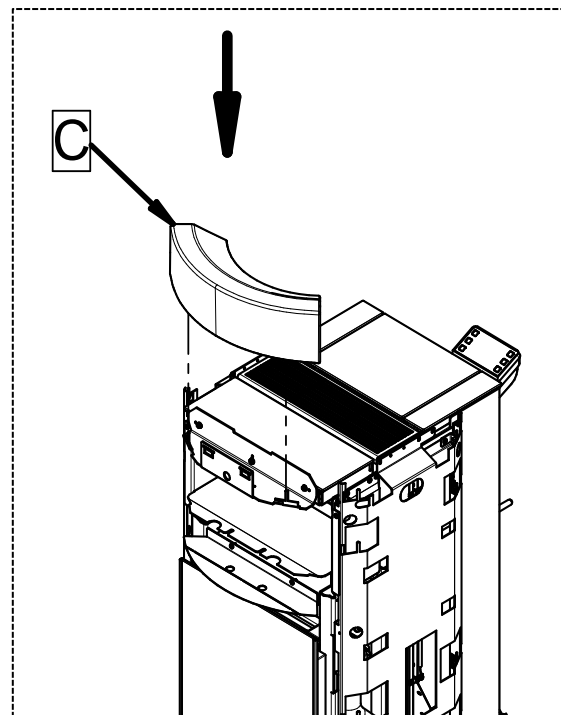


1 - Undo the 4 screws (2) and remove the majolica support bracket. Insert the lower majolica (B) on the bracket that you have just removed. Lastly fasten the bracket with the majolica using the 4 screws (2) just removed.



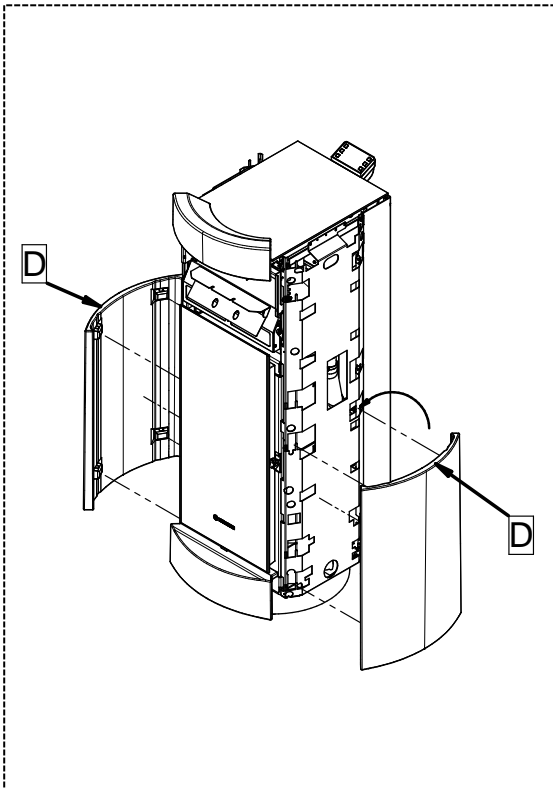
2 - Remove the tray and insert the upper majolica (C) on the teeth provided. Slightly bend the teeth so as to firmly secure the majolica to the body.

**ATTENTION:** If your appliance has a **NATURAL** body, do not carry out this operation; start directly from the next point.

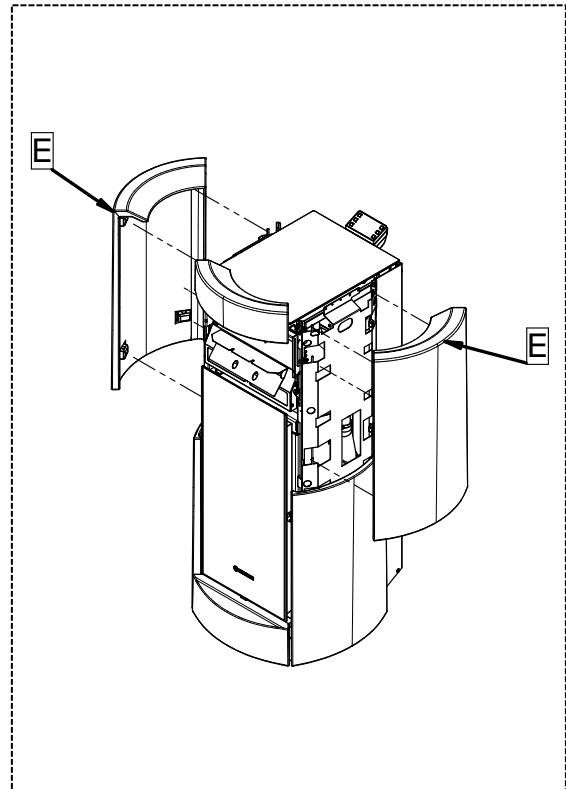


3 - Insert the upper majolica (C) on the teeth provided. Slightly bend the teeth so as to firmly secure the majolica to the body.

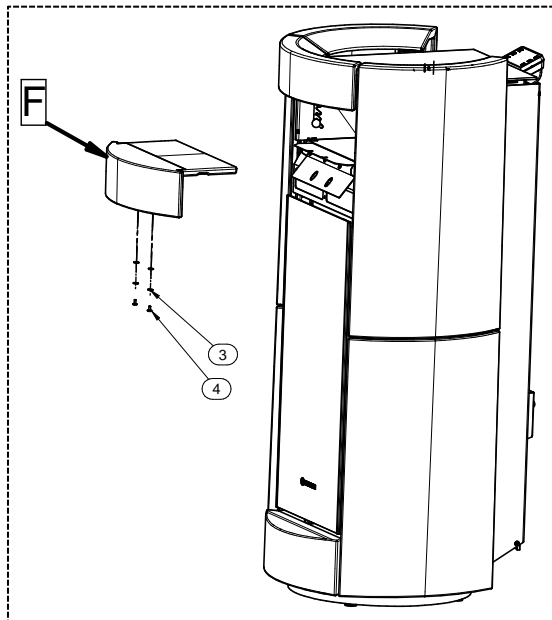
**ATTENTION:** This operation is only to be carried out on appliances with a **NATURAL** body.



4 - Insert the lower side panel (D) on the teeth provided. Slightly bend the teeth so as to firmly secure the majolica to the body. Carry out the same procedure on the opposite side.



5 - Insert the upper side panel (E) on the teeth provided, as in the previous point. Slightly bend the teeth so as to firmly secure the majolica to the body. Carry out the same procedure on the opposite side.



6 - Insert the central majolica (F) as indicated in the figure (only for air products). Fix it with screws (4) and washers (3).





**THERMOROSSI** 

*Fire Lovers*

THERMOROSSI S.p.A.

Via Grumolo, 4 (Z.I.) 36011 Arsiero (VI) - ITALY

Fax 0445.741657 - [www.thermorossi.com](http://www.thermorossi.com) - [info@thermorossi.it](mailto:info@thermorossi.it)