

THERMOROSSI ^{tr}

Fire Lovers

DORA – FLORA

ITA - MANUALE DI INSTALLAZIONE, USO E MANUTENZIONE.
FRA - MANUEL D'INSTALLATION, D'UTILISATION ET D'ENTRETIEN.
ENG - INSTALLATION, USE AND MAINTENANCE GUIDE.
DEU - INSTALLATIONS-, BETRIEBS- UND WARTUNGSANLEITUNG.
ESP - MANUAL DE INSTALACIÓN, USO Y MANTENIMIENTO.
NL - HANDLEIDING VOOR INSTALLATIE, GEBRUIK EN ONDERHOUD.



ITA - Informazioni importanti per la sicurezza ed il corretto funzionamento.
FRA - À lire impérativement ! Informations importantes pour la sécurité et le bon fonctionnement.
ENG - Must read! Important information for safety and correct operation.
DEU - Unbedingt lesen! Wichtige Informationen zur Sicherheit und zum sicheren Betrieb.
ESP - ¡Leer! Informaciones importantes para la seguridad y el correcto funcionamiento.
NL - Belangrijke informatie voor de veiligheid en de correcte werking.

INDEX

1 – INTRODUCTION..... 4
2 – TECHNICAL CHARACTERISTICS..... 6
3 – GENERAL DESCRIPTION 8
4 – INSTALLATION.....11
5 – PLUMBING SYSTEM CONNECTIONS AND DIAGRAMS13
6 – ASSEMBLING THE COMPONENTS.....18
7 – USE OF THE APPLIANCE20
8 – CLEANING AND MAINTENANCE23
9 – SMOKE DISCHARGE TUBE27
10 – PROBLEMS, CAUSES AND SOLUTIONS.....29
11 – CONDITIONS OF WARRANTY29

EU Declaration of Conformity (DoC) / Dichiarazione di Conformità UE (DoC)

Company name:	THERMOROSSI S.P.A.	Postal address:	VIA GRUMOLO, N° 4
Azienda:		Indirizzo:	
Postcode and city:	36011 ARSIERO (VI)	Telephone number:	0445/741310
Codice postale e città:		Numero di telefono:	
E-mail address:	INFO@THERMOROSSI.IT		
Indirizzo e-mail:			

declare that the DoC is issued under our sole responsibility and belongs to the following product:
 dichiara che la dichiarazione viene rilasciata sotto la propria responsabilità e si riferisce al seguente prodotto:

Apparatus model / Product:	WOOD STOVE	Trademark:	THERMOROSSI S.P.A.
Descrizione prodotto:	STUFA A LEGNA	Marchio:	
Models:	DORA		
Modelli:	FLORA		

The object of the declaration described above is in conformity with the relevant Union harmonisation legislation:
 L'oggetto della dichiarazione di cui sopra è conforme alla pertinente normativa di armonizzazione dell'Unione:

- **Direttiva 2014/30/UE, EMCD**
- **Direttiva 2014/35/UE, LVD**
- **Direttiva 2011/65/UE, RoHS**
- **2014/30/EU Directive, EMCD**
- **2014/35/EU Directive, LVD**
- **2011/65/EU Directive, RoHS**

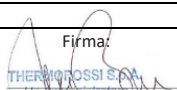
Sono state applicate le seguenti norme armonizzate e/o specifiche tecniche:
 The following harmonised standards and/or technical specifications have been applied:

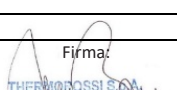
EN 55014-1	EN 60335-1	EN 50581
EN 55014-2	EN 60335-2-102	Commission Regulation (EU) 2015/1185
EN 61000-3-2	EN 62233	
EN 61000-3-3		

Arsiero, 12/01/2026

Firma/Sign.

DORA – FLORA

THERMOROSSI <i>Fire Lovers</i>	ECLARATION OF PERFORMANCE IN ACCORDANCE WITH REGULATION (EU) 305/2011	n°A150
1 - Unique identification code of the product type:		DORA
2 - Model, batch, series (Article 11, paragraph 4):		DORA
3 - Intended uses of the construction product, in accordance with the relevant harmonised technical specification:		Domestic heating appliance, water-based, fuelled by wood logs
4 - Registered name and address of the manufacturer (Art. 11, paragraph 5):		THERMOROSSI S.P.A. Via Grumolo, n° 4 36011 Arsiero (VI) Tel.0445/741310
5 - Name and address of the representative (Art. 12, paragraph 2):		-
6 - System for assessing and verifying the constancy of performance of the construction product referred to in Annex V:		System 3 and 4
7 - Notified laboratory:		Kiwa Italia S.p.a. N° 0476
Harmonised technical specification:		EN 16510-2-1
Test report number according to system 3:		0476-AoP-CPR-7014282
8 - Performances declared:		
	Essential features	Performance
Fire resistance:		A1
Minimum safety distances from combustible materials in millimetres:		
Back / Side / Front / Ceiling / Floor:		200 / 200 / 2000 / 750 / 100
Risk of fuel leakage:		Compliant
Surface temperature:		Compliant
Electrical safety:		Compliant
Accessibility and cleanliness:		Compliant
Emission of combustion products:		
at nominal power / at reduced power (mg/m ³ at 13% O ₂):		79 / -
Maximum operating pressure:		2,5
Flue gas temperature at nominal power (°C):		153
Mechanical strength (to support the chimney/fuel):		Compliant
Nominal thermal power (kW):		15,1
Heat output to the environment (kW):		4,1
Heat output transferred to water (kW):		11,0
Energy efficiency at nominal heat output:		92
Energy efficiency at reduced heat output:		-
9 - The performance of the product referred to in points 1 and 2 complies with the declared performance referred to in point 8.		
This declaration of performance is issued under the sole responsibility of the manufacturer referred to in point 4.		
Arsiero, 12/01/2026		Firma: 

THERMOROSSI <i>Fire Lovers</i>	ECLARATION OF PERFORMANCE IN ACCORDANCE WITH REGULATION (EU) 305/2011	n°A151
1 - Unique identification code of the product type:		FLORA
2 - Model, batch, series (Article 11, paragraph 4):		FLORA
3 - Intended uses of the construction product, in accordance with the relevant harmonised technical specification:		Domestic heating appliance, water-based, fuelled by wood logs
4 - Registered name and address of the manufacturer (Art. 11, paragraph 5):		THERMOROSSI S.P.A. Via Grumolo, n° 4 36011 Arsiero (VI) Tel.0445/741310
5 - Name and address of the representative (Art. 12, paragraph 2):		-
6 - System for assessing and verifying the constancy of performance of the construction product referred to in Annex V:		System 3 and 4
7 - Notified laboratory:		Kiwa Italia S.p.a. N° 0476
Harmonised technical specification:		EN 16510-2-1
Test report number according to system 3:		0476-AoP-CPR-7014282
8 - Performances declared:		
	Essential features	Performance
Fire resistance:		A1
Minimum safety distances from combustible materials in millimetres:		
Back / Side / Front / Ceiling / Floor:		200 / 200 / 2000 / 750 / 100
Risk of fuel leakage:		Compliant
Surface temperature:		Compliant
Electrical safety:		Compliant
Accessibility and cleanliness:		Compliant
Emission of combustion products:		
at nominal power / at reduced power (mg/m ³ at 13% O ₂):		79 / -
Maximum operating pressure:		2,5
Flue gas temperature at nominal power (°C):		153
Mechanical strength (to support the chimney/fuel):		Compliant
Nominal thermal power (kW):		15,1
Heat output to the environment (kW):		4,1
Heat output transferred to water (kW):		11,0
Energy efficiency at nominal heat output:		92
Energy efficiency at reduced heat output:		-
9 - The performance of the product referred to in points 1 and 2 complies with the declared performance referred to in point 8.		
This declaration of performance is issued under the sole responsibility of the manufacturer referred to in point 4.		
Arsiero, 12/01/2026		Firma: 

IT – SCHEDA PRODOTTO (UE 2015/1186) EN – PRODUCT FICHE (EU 2015/1186) FR – FICHE PRODUIT (UE 2015/1186) NL – PRODUCTGEVEENSBLAD (EU 2015/1186) DE – PRODUKTDATENBLATT (EU 2015/1186) ES – FICHA DE PRODUCTO (UE 2015/1186)	IT – MARCHIO EN – BRAND FR – MARQUE NL – MERK DE – MARKE ES – MARCA	THERMOROSSI S.P.A.	
IT – MODELLO EN – MODEL FR – MODÈLE NL – MODEL DE – MODELL ES – MODELO		DORA	FLORA
IT – CLASSE DI EFFICIENZA ENERGETICA EN – ENERGY EFFICIENCY CLASS FR – CLASSE D'EFFICACITÉ ÉNERGÉTIQUE NL – ENERGIE-EFFICIËNTIEKLASSE DE – ENERGIEEFFIZIENZKLASSE ES – CLASE DE EFICIENCIA ENERGÉTICA		A+	A+
IT – POTENZA TERMICA DIRETTA EN – DIRECT HEAT OUTPUT FR – PUISSANCE THERMIQUE DIRECTE NL – DIREKTE WARMTEAFGIFTE DE – DIREKTE WÄRMELEISTUNG ES – POTENCIA CALORÍFICA DIRECTA		4.1 kW	4.1 kW
IT – POTENZA TERMICA INDIRETTA EN – INDIRECT HEAT OUTPUT FR – PUISSANCE THERMIQUE INDIRECTE NL – INDIRECTE WARMTEAFGIFTE DE – INDIRECTE WÄRMELEISTUNG ES – POTENCIA CALORÍFICA INDIRECTA		11.0 kW	11.0 kW
IT – INDICE DI EFFICIENZA ENERGETICA EN – ENERGY EFFICIENCY INDEX FR – INDICE D'EFFICACITÉ ÉNERGÉTIQUE NL – ENERGIE-EFFICIËNTIE-INDEX DE – ENERGIEEFFIZIENZINDEX ES – ÍNDICE DE EFICIENCIA ENERGÉTICA		123	123
IT – EFFICIENZA UTILE ALLA POTENZA TERMICA NOMINALE EN – USEFUL ENERGY EFFICIENCY AT NOMINAL HEAT OUTPUT FR – RENDEMENT UTILE À LA PUISSANCE THERMIQUE NOMINALE NL – NUTTIG RENDEMENT BIJ NOMINALE WARMTEAFGIFTE DE – BRENNSTOFF-ENERGIEEFFIZIENZ BEI NENNWÄRMELEISTUNG ES – EFICIENCIA ENERGÉTICA ÚTIL A POTENCIA CALORÍFICA NOMINAL		92.2%	92.2%
IT – EFFICIENZA UTILE AL CARICO MINIMO EN – USEFUL ENERGY EFFICIENCY AT MINIMUM LOAD FR – RENDEMENT UTILE À LA CHARGE MINIMALE NL – NUTTIG RENDEMENT BIJ MINIMALE WARMTEAFGIFTE DE – BRENNSTOFF-ENERGIEEFFIZIENZ BEI MINDESTLAST ES – EFICIENCIA ENERGÉTICA ÚTIL A CARGA MINIMA		-	-
IT – RISPETTARE TUTTE LE ISTRUZIONI RIPORTATE SUL MANUALE DI INSTALLAZIONE USO E MANUTENZIONE EN – ALWAYS FOLLOW THE INSTRUCTIONS PROVIDED IN THE OPERATING AND MAINTENANCE MANUAL FR – RESPECTER TOUTES LES INSTRUCTIONS CITÉES DANS LA NOTICE D'INSTALLATION, UTILISATION ET ENTRETIEN NL – RESPECTEER ALLE INSTRUCTIES VERMELD IN DE HANDLEIDING VOOR INSTALLATIE, GEBRUIK EN ONDERHOUD DE – ERFÜLLEN DIE ANWEISUNGEN DER INSTALLATION, NUTZUNG UND WARTUNG, DIE IN DEM ANLEITUNGSBUCH SIND ES – RESPECTAR LAS INSTRUCCIONES REPORTADAS EN EL MANUAL DE UTILIZACIÓN Y MANTENIMIENTO			

1 – INTRODUCTION

1.1 SAFETY GUIDELINES

This installation, use and maintenance manual is an integral and essential part of the product and must be kept by the user. Before commencing with the installation, use and maintenance of the product, carefully read this guide. All local, national and European regulations regarding the installation and use of the appliance must be met. The Manufacturer recommends carrying out all the maintenance operations described in this manual.

This appliance must only be used as intended by the manufacturer. Any other use is considered incorrect and therefore hazardous; consequently, the user shall be totally liable for the product if used improperly. Installation, maintenance and repairs must be carried out by professionally qualified personnel, certified according to Decree no. 37 of 22 January 2008 and in compliance with current regulations. In case of repairs only original spare parts supplied by the manufacturer must be used. Incorrect installation or poor maintenance can injure or damage people, animals or things; in this case the manufacturer shall be relieved of all responsibility. Any repairs or actions carried out on any systems, components or internal parts of the appliance, or on any of the accessories supplied with it, that are not specifically authorised by Thermorossi S.p.A, will automatically void the warranty and the manufacturer's responsibility, pursuant to Italian Decree no. 224 of the President of the Republic of 24/05/1988, art. 6/b. It is recommended to keep this manual in a safe place that is easily accessible to all users. If the manual is lost or deteriorated contact the manufacturer for a replacement copy. If the appliance is sold or transferred to another user ensure that the manual is handed over with it. The images and figures featured in this manual are purely illustrative and may differ from the actual product. Furthermore, Thermorossi reserves the right to apply changes to the content of this manual anytime and without notice.

Thermorossi S.p.A. retains copyright on this manual. These instructions may not be reproduced or communicated to third parties or used in any other way without the necessary authorisation.

1.2 SAFETY STANDARDS



PERSONAL INJURY

This safety symbol identifies important messages throughout the manual. Read the information marked by this symbol carefully as non-observance of this message can cause serious injury to persons using the appliance.



DAMAGE TO PROPERTY

This safety symbol identifies messages or instructions that are fundamental for the appliance and system to function well. To avoid serious damage to the appliance adhere strictly to these instructions.

**INFORMATION**

This symbol indicates important instructions for good functioning of the appliance. If this information is not correctly observed, the performance of the appliance will not be satisfactory.

1.3 RECOMMENDATIONS

Read this entire use and maintenance manual carefully before using the appliance as familiarity with the information and instructions contained in it are essential for the correct use of the appliance.

No responsibility will be accepted for damages, even to third parties, if the instructions for installation, use and maintenance of the appliance are not followed scrupulously. Modifications made to the appliance by the user or on his behalf, must be considered to be under his complete responsibility. The user is responsible for all the operations required for the maintenance of the appliance before and during its use.



Should you notice an excessive stagnation of flue gas in the combustion chamber, move away from the appliance immediately. In particular move away from the glass door of the combustion chamber. The excessive concentration of unburned gases could create an explosion that could break the glass. Do not open the loading door for any reason whatsoever and do not approach the product until the flame has died down. Contact a technical service centre to determine the causes. Do not turn on the appliance for any reason whatsoever following an event such as this.

1.4 GENERAL GUIDELINES

Attention: the appliance must be connected to a system provided with a PE conductor (in compliance with the specifications concerning low-voltage equipment). Before installing the appliance check the efficiency of the earth circuit of the power supply system.

Attention: the cable section must in any case be no less than 1.5 mm². The appliance requires powering with a voltage of 230 V and 50 Hz. Position the appliance so that the electric power outlet in the room is easily accessible. Ensure that a suitable differential switch is installed upstream from the equipment.

The product must not be used by children under the age of 8 years, by persons with physical, mental or sensorial impairments, or by persons who are not familiar with the instructions for use and maintenance of the product (the instructions are found in this booklet). Children must not play with the appliance.

ATTENTION: before each use make sure that the grate and the ash pan are perfectly clean and check that the firebox door is firmly closed and airtight.

ATTENTION: it is strictly forbidden to open the door while the flame is still burning. During operation, the smoke exhaust pipes, door, handles and some parts of the appliance may reach extremely high temperatures: be careful not to touch them and also educate children to be aware of said risks. Do not expose your body to hot air for long, do not overheat the room in which the appliance is installed, as these actions could cause health problems. Do not expose plants or animals directly to the hot air flow as this could have noxious effects on them. It is prohibited to use any liquids or gases such as alcohol, petrol, etc. to light or rekindle the fire, use only thin wood. Do not place non-heat resistant or inflammable or combustible objects in the vicinity of the appliance: keep them at a suitable distance. Do not place wet clothing to dry on the appliance. When using a clothes horse, keep at a suitable distance. It is strictly prohibited to disconnect the appliance from the electrical power mains while it is in operation.



Caution: do not wet the appliance and do not touch the electrical parts with wet hands. Never vacuum hot ash: this could damage the vacuum device. All the cleaning operations described in this manual must be carried out when the appliance is cold and shut off.



Attention! Warning for Swiss users

Refer to the local cantonal regulations imposed by the Fire Department (Mandatory signalling and safety distances) and the Note concerning installation of heaters issued by the Association of Cantonal Fire Agencies (VKF - AEAI).



ATTENTION: it is mandatory to earth the appliance. If this instruction is not observed serious damage, which is not covered by warranty, will result to the body of the appliance. Have an electrician check the earthing. There must be no electric potential (Volt) between the earth of the generator and the actual earth of the system.

1.5 TRANSPORTATION AND STORAGE**TRANSPORTATION AND HANDLING**

The appliance body must always be handled exclusively by means of trolleys. Take special care to protect the glass and all the fragile parts from mechanical impact which could damage them and their correct functioning.

STORAGE

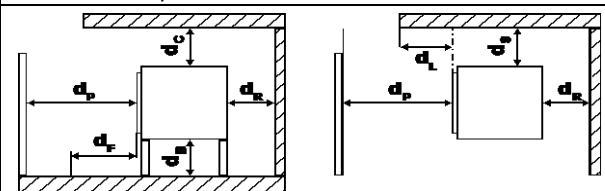
The appliance must be stored in a humid-free environment and sheltered from the weather; avoid placing the appliance directly on the ground. The Company denies all responsibility for damage caused to wood floors or floors made from any other material. It is inadvisable to store the product for long periods of time.

1.6 GUIDELINES FOR CORRECT DISPOSAL OF THE PRODUCT

At the end of the product's useful life, it must be disposed of in compliance with applicable regulations and in respect of the environment, not with urban waste. The product must be consigned to designated sorted waste collection centres for the disposal of waste authorised by the local municipal councils. Correct disposal not only helps safeguard the environment but it also promotes recovery and recycling of the materials.

DORA – FLORA

2 – TECHNICAL CHARACTERISTICS

	PARAMETRS	UNITY	DORA	FLORA	
Heat output at the firebox**	Pfoc	kW	16,4	16,4	
Nominal heat output**	Pnom	kW	15,1	15,1	
Heat output to the room**	PSHnom	kW	4,1	4,1	
Heat output to water**	PWnom	kW	11	11	
Heat output at partial load**	Part	kW	-	-	
Heat output to the room at partial load**	PSHpart	kW	-	-	
Heat output to water at partial load**	PWpart	kW	-	-	
Efficiency at rated heat output**	η_{nom}	%	92	92	
Efficiency at partial load heat output**	η_{part}	%	-	-	
Consumption at rated power**	-	Kg/h	3,8	3,8	
Consumption at reduced power**	-	Kg/h	-	-	
Tank capacity	-	Kg	-	-	
Seasonal efficiency at nominal heat output	η_S	%	82	82	
Energy efficiency index	EEI	-	123	123	
CO emissions with 13% O2 at nominal power**	CO _{nom} (13%O ₂)	mg/m ³	79	79	
CO emissions with 13% O2 at partial load**	CO _{part} (13%O ₂)	mg/m ³	-	-	
NOx emissions with 13% O2 at nominal power**	NO _{xnom} (13%O ₂)	mg/m ³	98	98	
NOx emissions with 13% O2 at partial load**	NO _{xpart} (13%O ₂)	mg/m ³	-	-	
OGC emissions with 13% O2 at rated power**	OGC _{nom} (13%O ₂)	mg/m ³	17	17	
OGC emissions with 13% O2 at partial load**	OGC _{part} (13%O ₂)	mg/m ³	-	-	
Particulate emissions with 13% O2 at rated power**	PM _{nom} (13%O ₂)	mg/m ³	22	22	
Particulate emissions with 13% O2 at partial load**	PM _{part} (13%O ₂)	mg/m ³	-	-	
Minimum chimney draught at rated power	p _{nom}	Pa	14	14	
Minimum chimney draught at partial load	p _{part}	Pa	14	14	
Maximum permissible water operating pressure	p _W	bar	2,5	2,5	
Water content of the appliance		l	33	33	
Minimum safety distances from combustible material:	d _R	mm	200	200	
	d _S	mm	200	200	
	d _C	mm	750	750	
	d _P	mm	2000	2000	
	d _F	mm	1500	1500	
	d _L	mm	1500	1500	
	d _B	mm	100	100	
	Minimum distances from non-combustible walls:	d _{non}	mm	50	50
	Standby power consumption	e _{ISB}	kW	-	-
Power consumption at rated power	e _{max}	kW	-	-	
Power consumption at reduced power	e _{min}	kW	-	-	
Supply voltage, frequency	E, f	V, Hz	230 - 50	230 - 50	
Maximum power consumption	V _{max}	W	-	-	
Gas outlet temperature at rated power**	T _{snom}	°C	153	153	
Gas outlet temperature at partial load**	T _{spart}	°C	-	-	
Chimney designation	T _{class}	-	T400G	T400G	
Exhaust gas flow at rated power**	$\varphi_{f,g nom}$	g/s	8,2	8,2	
Exhaust gas flow at partial load**	$\varphi_{f,g part}$	g/s	-	-	
Continuous (CON) or intermittent (INT) operation	CON o INT	-	INT	INT	
Exhaust gas outlet diameter	d _{out}	mm	130	130	
Appliance type	TYPE	-	TYPE B	TYPE B	
Air tightness leakage	V _h	m ³ /h	-	-	
Depth, height, width	L, H, W	mm	669, 1.085, 589	642, 1502, 592	
Empty weight	m	Kg	223	282	
Maximum weight that the flue can support	m _{chin}	Kg	0	0	
Heatable volume*		m ³	408	408	

* IMPORTANT: It is important to take into consideration the fact that the heatable volume is greatly influenced by the insulation of the house (energy class of the building) and by the position of the appliance in the planimetry of the house, therefore the indicated values may vary, even significantly.

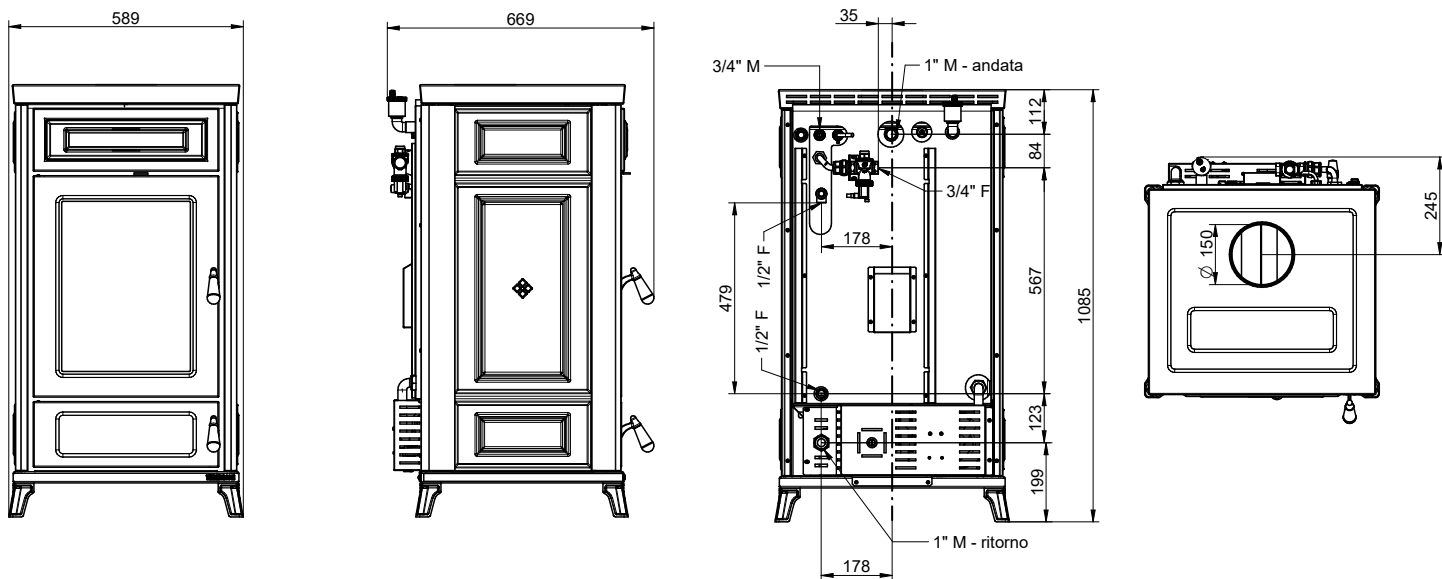
** ATTENTION: The indicated values were obtained using beechwood logs (3-4 logs) with thermal value less than or equal to 15,429 kJ/kg and moisture content less than 15%. The use of poorer quality firewood than that specified results in lower yield and lower efficiency, and produces more ash. Moreover the glass on the feed door will become dirtier sooner.

DORA – FLORA

*** It is strictly prohibited to load a greater quantity of fuel than that specified in the table. The warranty will not cover damages caused by the prolonged exposure of the appliance to temperatures that are too high.

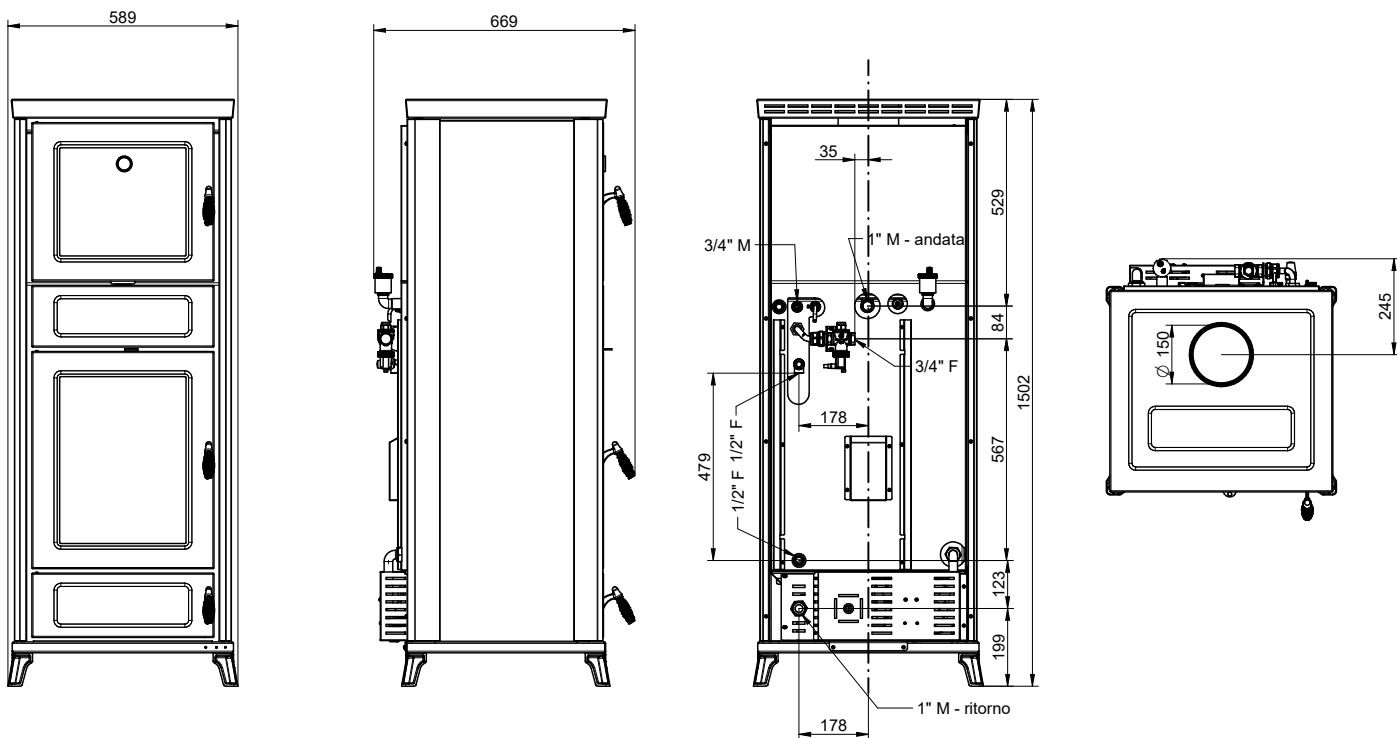
2.1 DIMENSIONS

DORA



LEGENDA	KEY
1" M – andata	1" M – delivery
1" M – ritorno	1" M – return

FLORA



DORA – FLORA

3 – GENERAL DESCRIPTION

3.1 THE FUEL

The fuel for this appliance is ordinary wood billets with a moisture content between 10% and 20% and with a thermal value of 13,000 to 15,429 Kcal/kg. We recommend using beech or common hornbeam. If using wood with a lower moisture content or with a higher thermal value, the heat produced by the stove will be greater.

The awareness and use of the right fuel are important aspects to be observed in order to ensure correct operation and long service life of the appliance. To this end we recommend using only dry, well-seasoned wood. We recommend against using wet wood or wood that has been seasoned for less than 18/20 months, as this could be the cause of malfunctions and the formation of tarry deposits that could permanently blacken the walls of the combustion chamber.

We recommend using logs with a length of 250 mm (max recommended section Ø 80 mm) and loading a maximum of 3-4 logs.

MAXIMUM PERMISSIBLE CONSUMPTION: 3.8 Kg/h

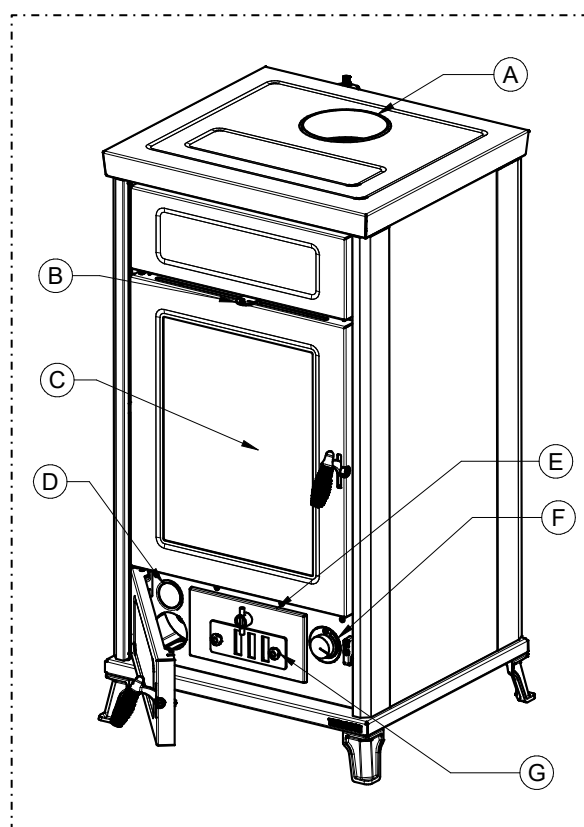
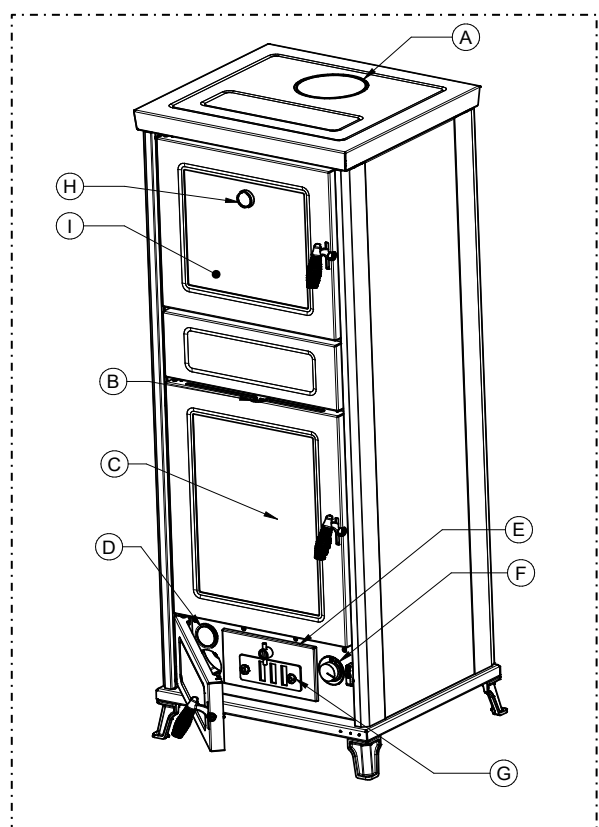


THE FUEL FEED INTERVALS MUST NOT BE LESS THAN 50 MINUTES. LOADING A LARGER QUANTITY OF FUEL OR LOADING SEVERAL TIMES IN AN HOUR EXPOSES THE COMPONENTS OF THE APPLIANCE TO VERY HIGH TEMPERATURES. FOR THIS REASON, THE WARRANTY WILL NOT COVER ANY DAMAGE CAUSED BY PROLONGED EXPOSURE OF THE APPLIANCE TO THESE TEMPERATURES.

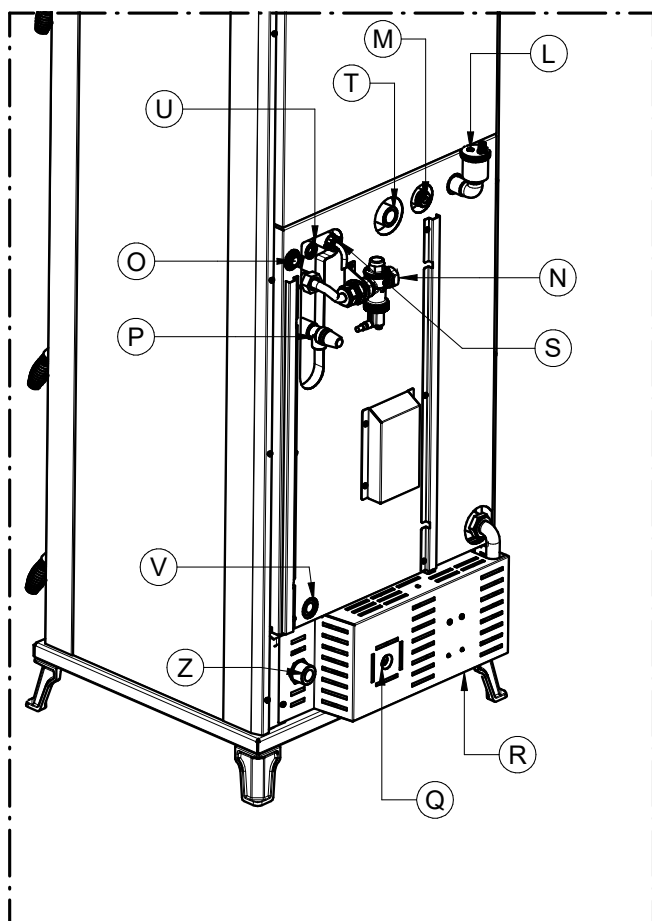


THE USE OF FUEL THAT DOES NOT COMPLY WITH THE ABOVE SPECIFICATIONS OR THE USE OF DIFFERENT SUBSTANCES OR FUELS WILL IMMEDIATELY VOID THE APPLIANCE WARRANTY. THE APPLIANCE MUST NOT BE USED AS AN INCINERATOR, AND IT IS PROHIBITED TO USE ANY LIQUID OR GAS FUEL. DO NOT OVERLOAD THE STOVE WITH EXCESSIVE QUANTITIES OF FUEL; ADHERE STRICTLY TO THE MAXIMUM DECLARED CONSUMPTION.

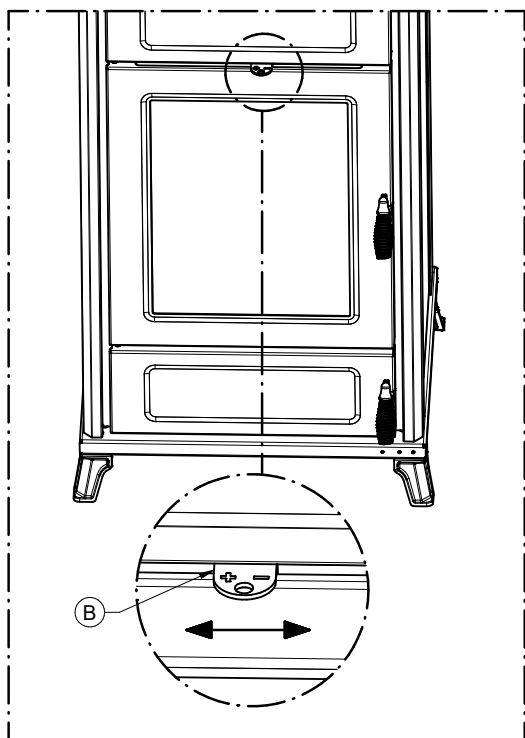
3.2 MAIN COMPONENTS



KEY			
A	Smoke exhaust	B	Secondary air lever
C	Feed door	D	Thermometer / Water pressure gauge
E	Ash pan	F	Primary air adjustment knob
G	Grill for rekindling the fire	H	Oven thermometer
I	Oven door		



KEY	
L	Automatic relief valve
M	Pocket for pressure gauge bulb
N	Thermal relief valve inlet – safety heat exchanger inlet 3/4" F
O	Sensor pocket
P	Safety valve 3 bar 1/2" F
Q	Circulating pump
R	230V -50 Hz power supply connection terminal block
S	Sensor pocket for thermal relief valve
T	System delivery tube 1" M
U	Thermal relief valve outlet – safety heat exchanger outlet 3/4" M
V	System drain/make-up 1/2" F
Z	System return 1" M



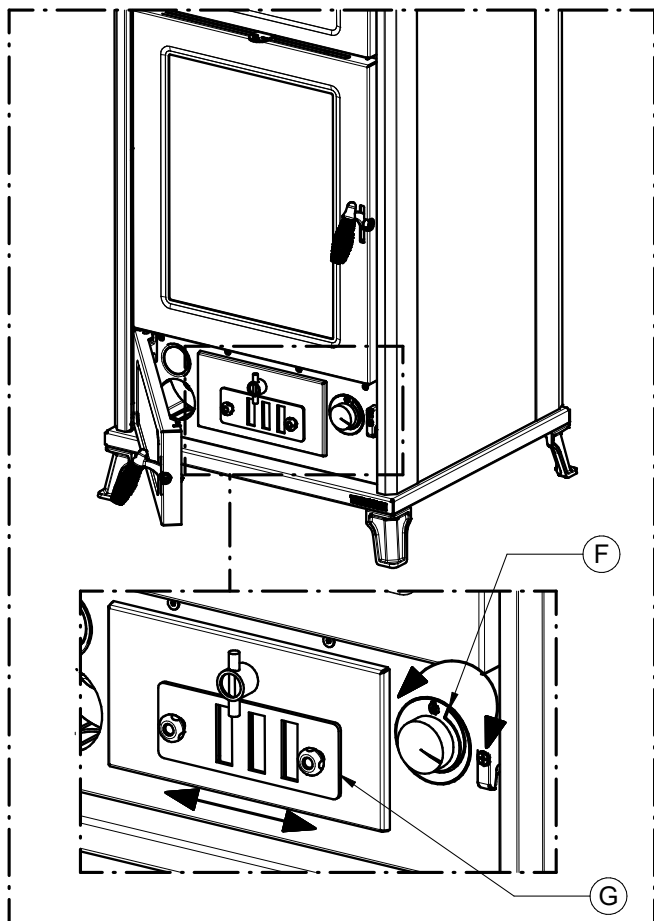
B – Secondary air lever

It controls the flow of secondary air passing through the holes on the backplate. While preheating, it facilitates the ignition of the second combustion. To decrease the air inflow, shift the lever in the direction of the "-" sign. Whereas to increase the air inflow, shift it in the direction of the "+" sign.



ATTENTION: When the appliance is operating the temperature of the lever is very high, so take care not to touch it. The special glove provided must be worn when handling it.

DORA – FLORA



F – Primary air adjustment knob

It is used to regulate the primary air inflow. The primary air passes through the grate of the firebox and fuels the combustion to determine its power and speed. Turning the knob clockwise closes it, reducing the air flow. Vice versa, turning the knob counter-clockwise opens it, increasing the air flow. To avoid or limit condensation, we recommend keeping the control knob more than half open.

G – Grill for rekindling the fire

It favours the passage of primary air, facilitating both the kindling and loading of the wood. The glove provided must be worn when activating it and only when lighting or stoking the fire.

IT IS STRICTLY PROHIBITED TO LEAVE THE GRILL OPEN DURING NORMAL OPERATION.

Leaving open the grill during normal operation results in higher fuel consumption than the declared quantity, a considerable drop in efficiency and exposure of the appliance to extremely high temperatures. For this reason, the warranty does not cover any direct or indirect damages caused by prolonged exposure of the appliance to these temperatures.



WARNING: the grill and knob are extremely hot when the appliance is in operation, so be careful not to touch them. The glove provided must be worn when handling them.

4 – INSTALLATION

4.1 APPLIANCE LOCATION



Follow the general guidelines set out in paragraph 1.1 to the letter. Be aware that the flooring of the installation site must be capable of withstanding the weight of the appliance and the water contained in it. If this requirement is not met, it is obligatory to adopt countermeasures (for example, load distribution plate ...).



ATTENTION: The room where the appliance is installed must be well ventilated and free from humidity and salty air. A high level of humidity or saltiness in the room can lead to the onset of rust or corrosion which will not be covered by warranty. The appliance must be positioned at a minimum safe distance from walls and furnishings. If inflammable materials are located in the vicinity of the appliance (e.g.: matchboarding, furniture, curtains, pictures and paintings, sofas) The minimum distances specified in the technical specifications table must be observed.



If the flooring is made of wood or any other combustible material, it is mandatory to install a fireproof floor protector plate between the appliance and the floor. Installation in the vicinity of heat-sensitive materials is only permitted if suitable insulating and fireproof protection is placed between the object and the appliance (ref. Uni 10683).

Failure to observe this instruction will immediately invalidate the warranty.

The installer must issue a certificate of conformity for the installation which includes the design plans and the following documents:

- Report containing the type of materials utilised.
- Project as defined in Article 5 of Ministerial Decree n° 37 22 January 2008.
- References to existing partial or previous declarations of conformity (e.g. flue outlet).
- Copy of the certificate of recognition of the professional technical qualifications.

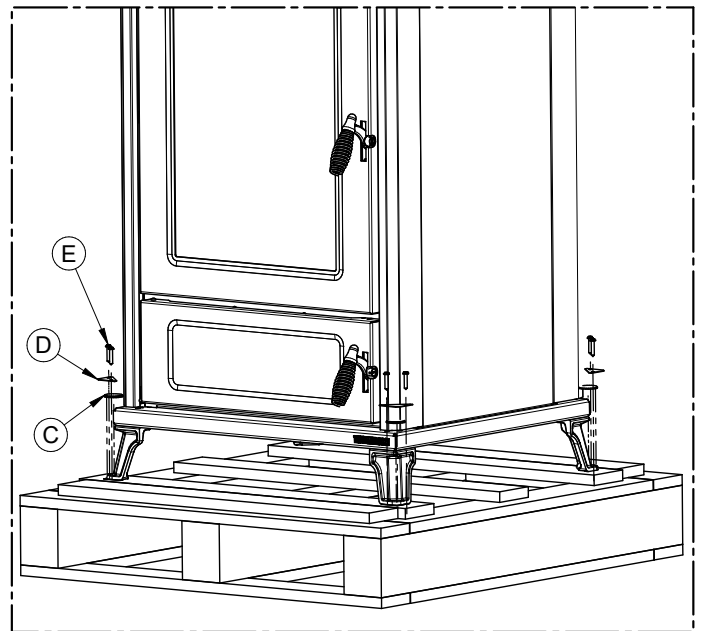
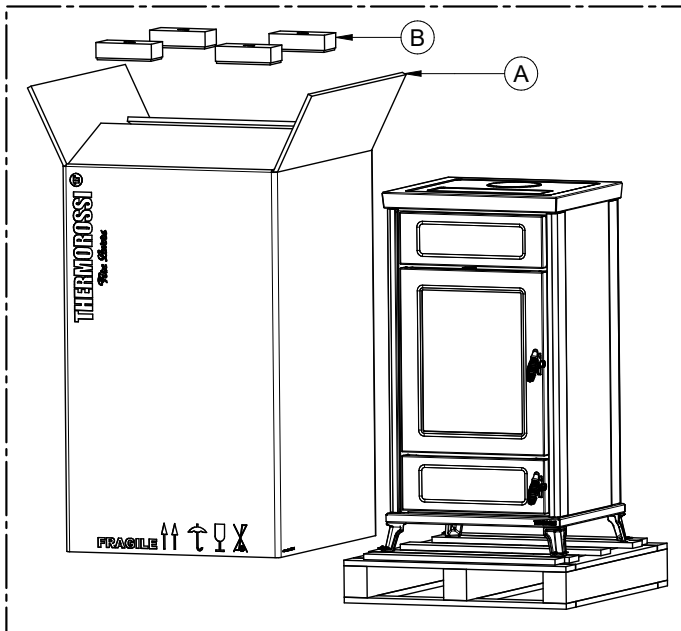


These documents must, by law, be kept together with the installation, use and maintenance manual. The customer is responsible for verifying, directly or indirectly, that the installation has been carried out to perfection in accordance with relevant regulations in force. Do not install the appliance in unsuitable rooms such as bedrooms, bathrooms, garages and/or lock-ups. It is forbidden to place the appliance in environments with an explosive atmosphere.



ATTENTION, the appliance is not simply a household appliance: if the instructions set out in this manual are not followed and/or if installation of the appliance is not executed perfectly and/or the provisions in force are not strictly complied with, dangerous conditions could arise for both objects and persons. It is the user's responsibility to verify the presence, in the room, of a vent necessary for supplying oxygen to the appliance. It is strictly prohibited to install the appliance as inset or next to furniture.

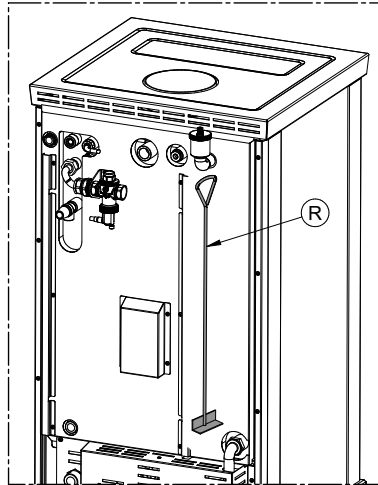
4.2 UNPACKING THE APPLIANCE



The appliance is supplied packaged on a pallet; always use trolleys to move the appliance and the appliance must always be in a vertical position. Before positioning and installing it dismantle the appliance from the pallet as described:

- 1) Remove the cardboard (A) and shims (B).
- 2) Remove the 4 screws (E) and brackets (C) and (D).
- 3) Now carefully remove the generator from the pallet making sure you do not damage it.
- 4) Remove the scraper hook (R) at the back of the appliance.

DORA – FLORA



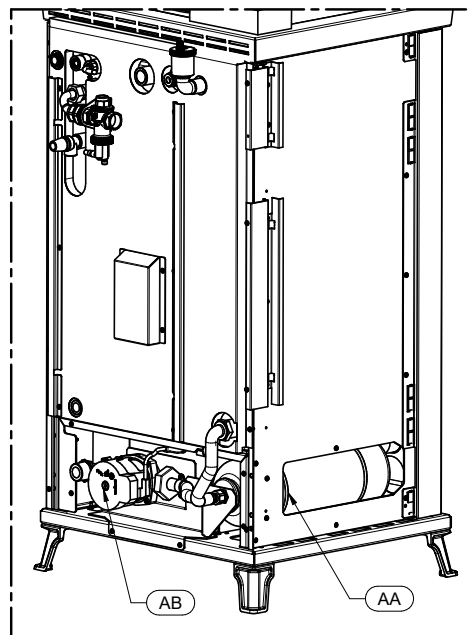
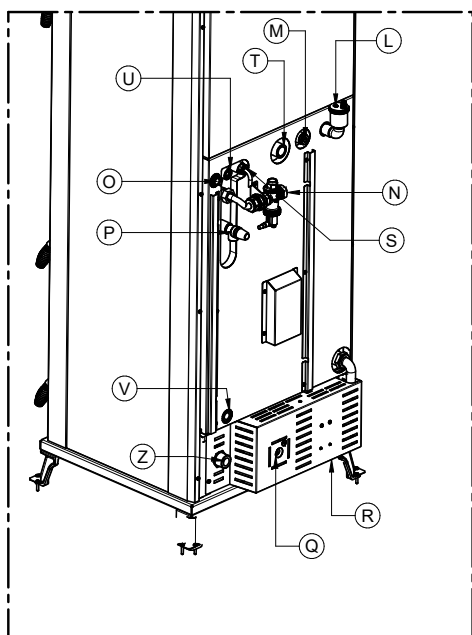
4.3 CONNECTION TO THE FLUE OUTLET



Connection of the appliance to the flue outlet must be carried out in strict compliance with the instructions contained in this booklet and particularly with those in the dedicated chapter.

5 – PLUMBING SYSTEM CONNECTIONS AND DIAGRAMS

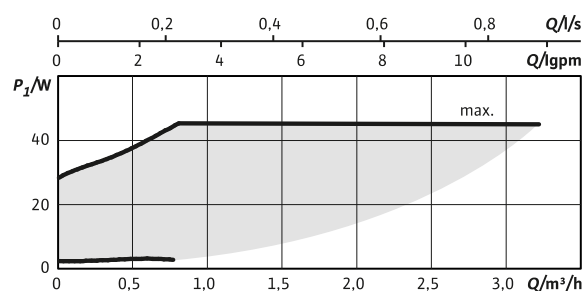
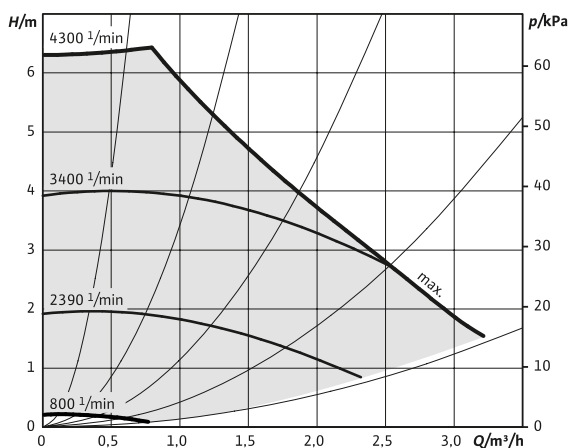
5.1 GENERATOR PLUMBING COMPONENTS



KEY

AA	Dedicated 4-litre expansion tank for appliance protection	AB	Circulating pump
L	Automatic relief valve	M	Pocket for pressure gauge bulb
N	Thermal relief valve inlet – safety heat exchanger inlet 3/4" F	P	Safety valve 3 bar 1/2" F
S	Sensor pocket for thermal relief valve	T	System delivery tube 1" M
U	Thermal relief valve outlet – safety heat exchanger outlet 3/4" M	V	CAUTION: always remove the plastic cap present, before installing the product.
Z	System return 1" M		

The circulating pump installed as standard has the following features:



The technical characteristics of the thermal relief valve installed as standard are as follows:

- Double safety sensor
- Maximum working pressure: 10 bar
- Minimum working pressure: 1.5 bar
- Temperature range: 5÷110°C
- Calibration temperature 98°C
- Discharge capacity with $\Delta p = 1$ bar and $T=110^\circ\text{C}$: 3000 l/h
- Capillary tube length: 130 mm
- Certified EN 14597

5.2 GUIDELINES FOR THE HYDRAULIC SYSTEM



The hydraulic system must be installed by qualified personnel who are familiar with the standards mentioned above and who have the appropriate professional requirements to release the declaration of conformance in accordance with Ministerial Decree n° 37 of 22 January 2008. The system must be suitably sized in relation to the power of the generator.



ATTENTION: it is mandatory to earth the generator. If this instruction is not observed serious damage, which is not covered by warranty, will result to the body of the appliance. Have a skilled electrician check the earthing. There must be no electric potential (Volt) between the generator earth and the plant's real earth (earth plate). To prevent electrochemical corrosion of the appliance body do not use galvanised pipes and fittings. Other materials must be earthed with special earthing cables in order to obtain a unipotential earthing system.



ATTENTION: IT IS MANDATORY TO PROVIDE A CONNECTION BETWEEN THE SAFETY VALVE AND A DRAIN, IN ORDER TO PREVENT DAMAGE TO THINGS OR PERSONAL INJURY IF THE VALVE SHOULD ACTIVATE.



ATTENTION: THE CONNECTION BETWEEN THE WATER MAIN AND THE THERMAL RELIEF VALVE MUST BE FREE FROM OBSTRUCTIONS. THE PRESSURE UPSTREAM FROM THE VALVE MUST ALWAYS BE AT LEAST 1.5 BAR.



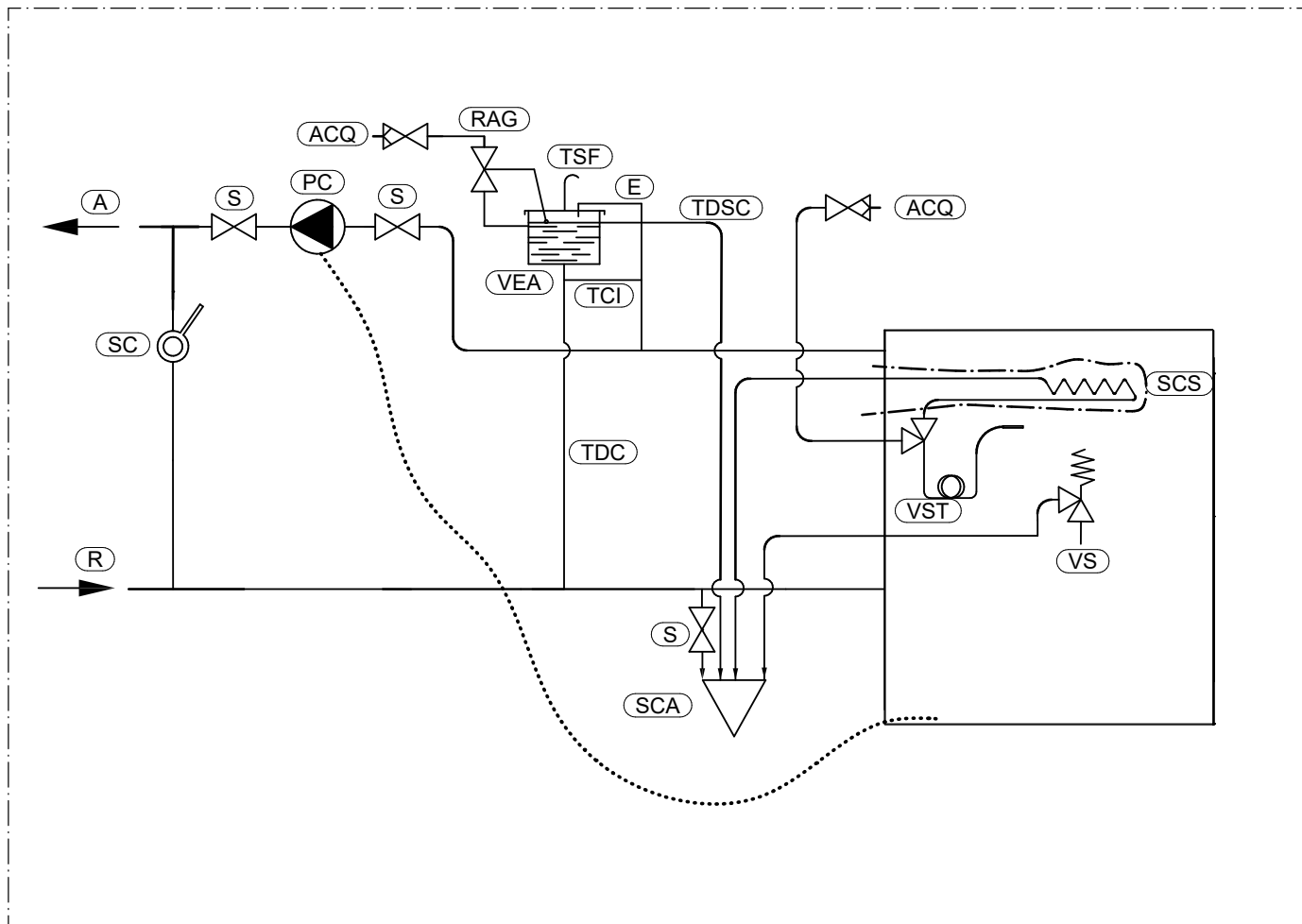
ATTENTION: THE HEAT EXCHANGER MUST NOT BE USED FOR ANY PURPOSE OTHER THAN AS A SAFETY HEAT EXCHANGER.

5.3 FURTHER REQUIREMENTS FOR THE INSTALLATION OF A CLOSED EXPANSION TANK SYSTEM.

To install the system with a closed expansion tank refer to the requirements laid down in EN 10412-2:2009 for appliances with nominal heat output not exceeding 35 kW. A closed expansion tank must be series-connected to the generator as protection for the system. The nominal volume of the closed expansion tank must be sized in relation to the total volume of the water contained in the system. Thermorossi prescribes the size of the closed expansion tank as equal to 10% of the volume of water contained in the entire system. Any bulging of the boiler body caused by an incorrectly sized expansion tank will not be covered by the warranty. The following diagrams do not replace the above-mentioned standards to which they refer. The qualified installer must in any case be fully aware of the above standards and their amending versions.

DORA – FLORA

5.4 SCHEMATIC DIAGRAM OF TYPICAL OPEN EXPANSION TANK HYDRAULIC SYSTEM



A	Heating plant delivery	SCS	Safety heat exchanger (not mandatory)
ACQ	Water mains inlet (not mandatory)	TCI	Circulation tube
E	Safety tube from the boiler to the open expansion tank	TDC	Delivery pipe
PC	System circulating pump	TDSC	Overflow discharge pipe
R	Heating plant return	TSF	Vent pipe
RAG	Automatic make-up with float	VEA	Open expansion tank
S	On-off valve	VS	Safety valve 3 bar
SCA	Discharge	VST	Thermal relief valve (not mandatory)
SC	Choke valve		

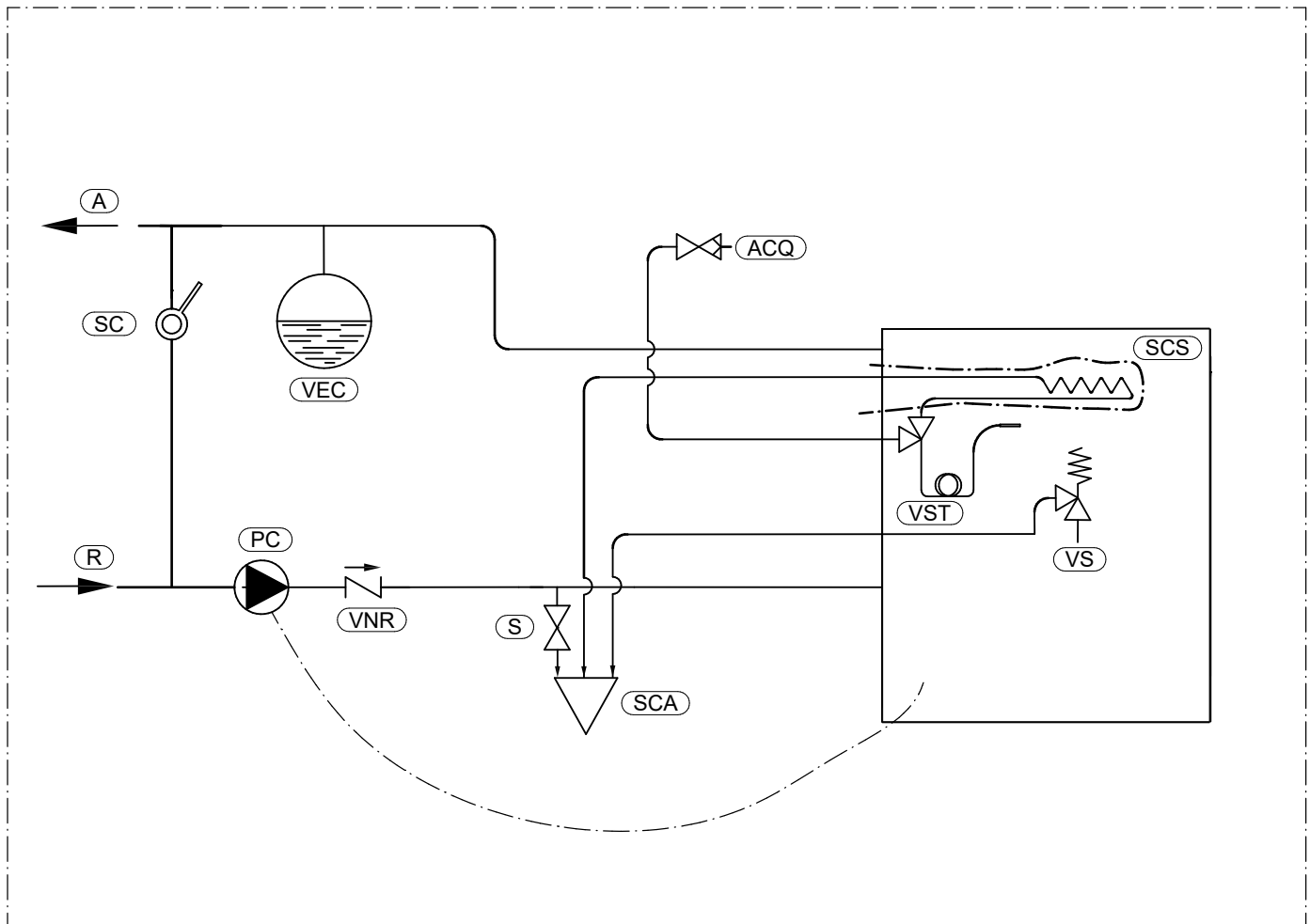


ATTENTION: it is mandatory to earth the generator. If this instruction is not observed serious damage, which is not covered by warranty, will result to the body of the appliance. Have a skilled electrician check the earthing. There must be no electric potential (Volt) between the generator earth and the system's real earth (earth plate). To prevent electrochemical corrosion of the appliance body do not use galvanised pipes and fittings. Other materials must be earthed with special earthing cables in order to obtain a unipotential earthing system.

ATTENTION: In this type of system it is necessary to install the circulating pump in the supply line to the heating system, downstream from the safety tube. For this reason the circulating pump must be removed from the appliance and installed as illustrated in the above diagram. The circulating pump must be replaced with a pipe nipple with seals.

DORA – FLORA

5.5 SCHEMATIC DIAGRAM OF TYPICAL CLOSED EXPANSION TANK HYDRAULIC SYSTEM



A	Heating plant delivery	VEC	Additional closed expansion tank, sized to at least 10% of the volume of water contained in the system
ACQ	Water main inlet	VNR	Nonreturn valve
R	Heating plant return	S	On-off valve
VS	Safety valve 3 bar	SC	Choke valve
VST	Thermal relief valve	SCA	Discharge
PC	Circulating pump	SCS	Safety heat exchanger

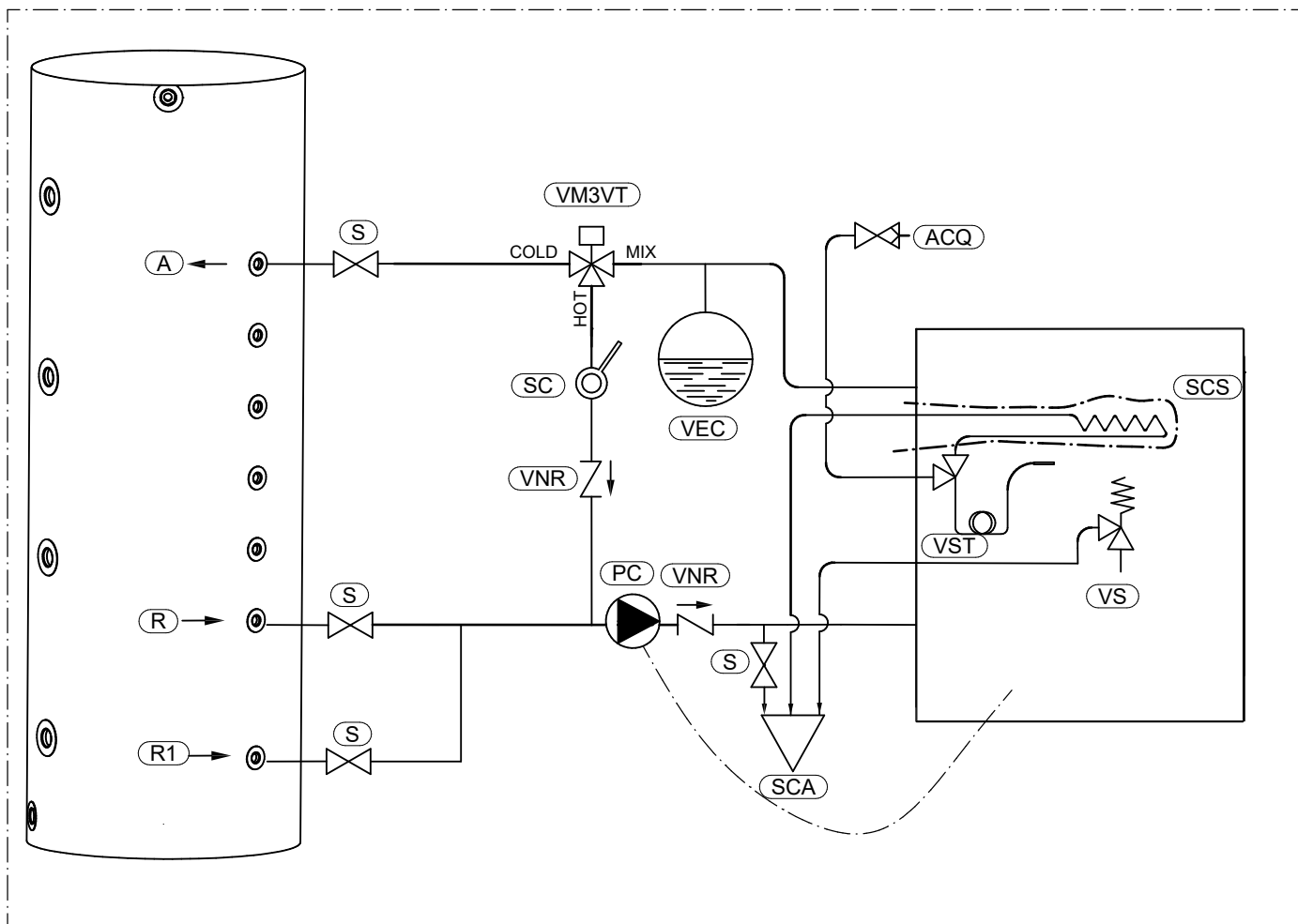


ATTENTION: it is mandatory to earth the generator. If this instruction is not observed serious damage, which is not covered by warranty, will result to the body of the appliance. Have a skilled electrician check the earthing. There must be no electric potential (Volt) between the generator earth and the system's real earth (earth plate). To prevent electrochemical corrosion of the appliance body do not use galvanised pipes and fittings. Other materials must be earthed with special earthing cables in order to obtain a unipotential earthing system.

ATTENTION: It is important to guarantee that the boiler return temperature always exceeds 55°C. For this reason, we recommend installing a temperature control thermometer on the return.

DORA – FLORA

5.6 SCHEMATIC DIAGRAM OF TYPICAL CLOSED EXPANSION TANK HYDRAULIC SYSTEM WITH PUFFER TANK



A	Supply to the puffer tank	SCA	Discharge
ACQ	Water main inlet	SCS	Safety heat exchanger
PC	Circulating pump	VEC	Additional closed expansion tank, sized to at least 10% of the volume of water contained in the system
R	System return if integrated with a solar system	VNR	Nonreturn valve
R1	Return from the puffer tank	VM3VT	Anti-condensation mixing valve
S	On-off valve	VS	Safety valve 3 bar
SC	Gate valve (throttle according to pressure drop in the system)	VST	Thermal relief valve



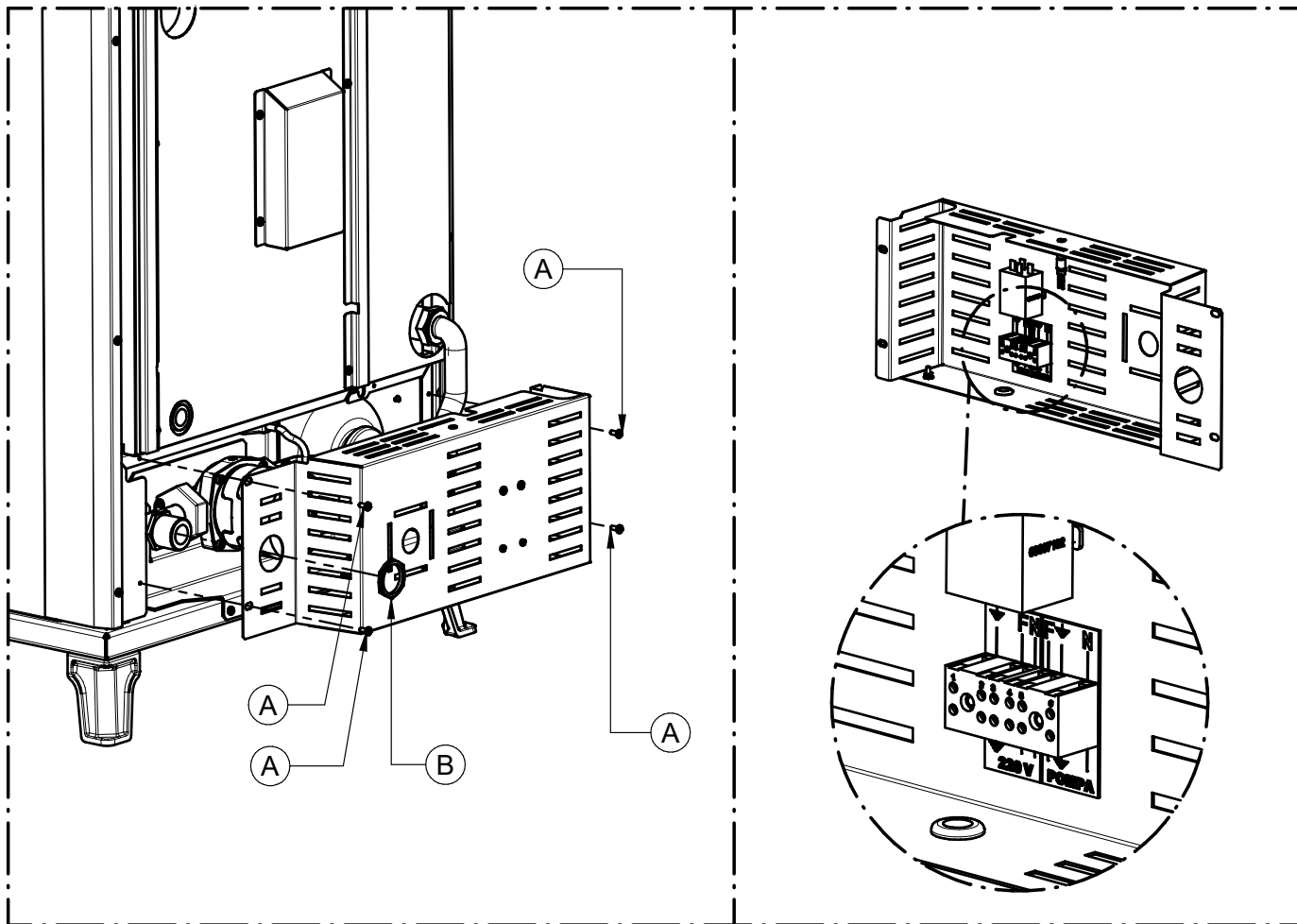
ATTENTION: it is mandatory to earth the generator. If this instruction is not observed serious damage, which is not covered by warranty, will result to the body of the appliance. Have a skilled electrician check the earthing. There must be no electric potential (Volt) between the generator earth and the system's real earth (earth plate). To prevent electrochemical corrosion of the appliance body do not use galvanised pipes and fittings. Other materials must be earthed with special earthing cables in order to obtain a unipotential earthing system.

ATTENTION: Anti-condensation mixing valve should be set at approx. 65°C. So when the temperature of the boiler drops below this value, the "cold" inlet closes and prevents circulation towards the puffer tank but only between the boiler supply and return. In this way, the heat stored in the puffer tank is not dispersed to the boiler.

DORA – FLORA

6 – ASSEMBLING THE COMPONENTS

6.1 ELECTRICAL CONNECTION

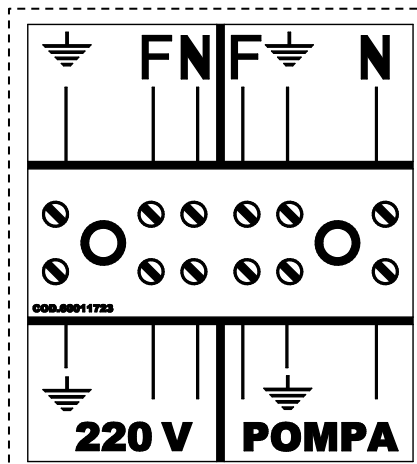


The terminal block for connection to the power supply is located on the back of the appliance. To reach it, remove the protective plate by loosening the screws (A) and nut (B).

Connect the power supply (230V - 50 Hz) to the terminals marked with (220V), see figure below. The circulating pump will thus activate as soon as the water in the boiler will exceed the temperature of about 60°C.

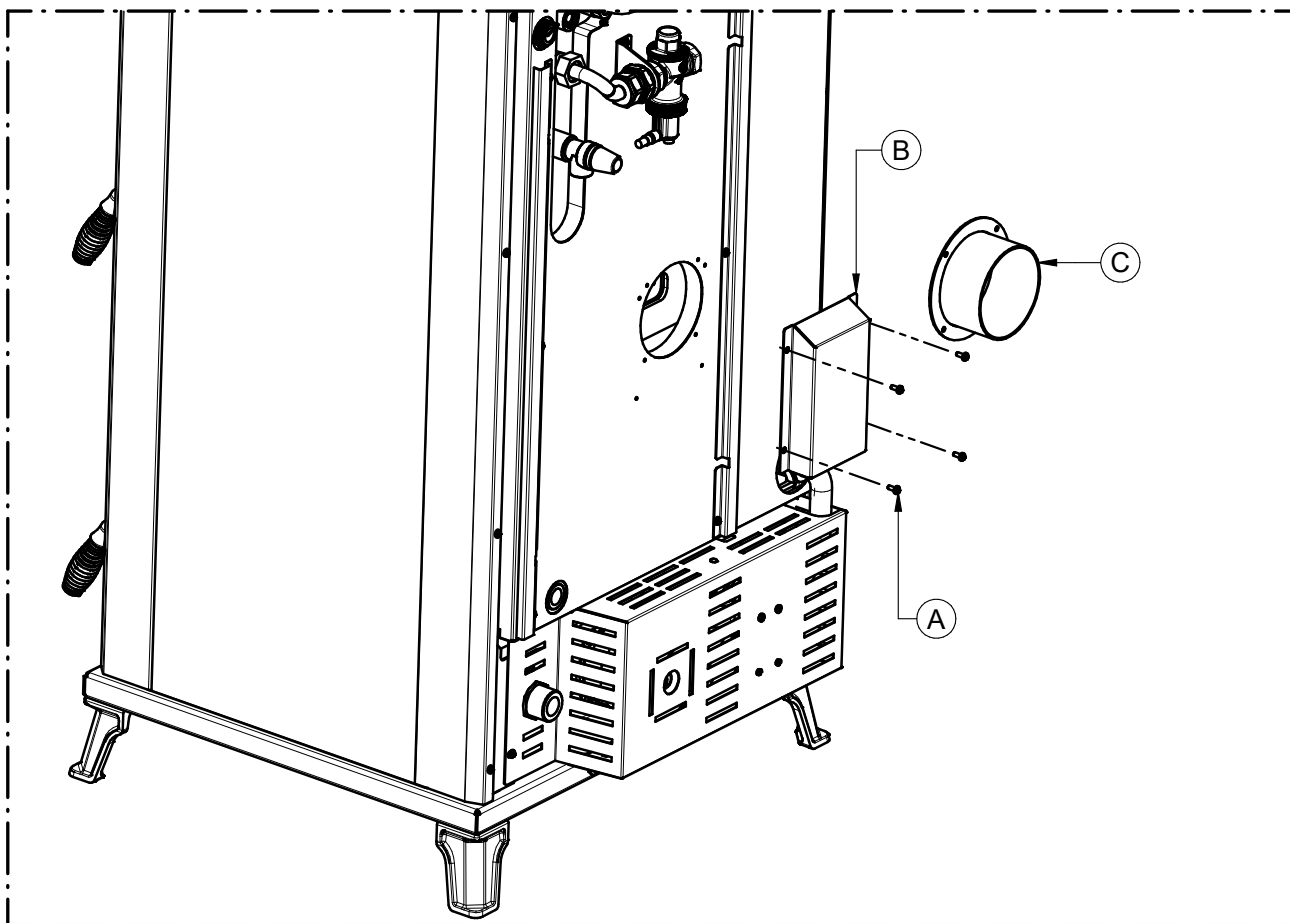


This operation must be exclusively performed by qualified professional staff, as set forth by Decree no. 37 of 22nd January 2008 and applicable laws on the subject. Before performing said task, make sure the power supply cable is disconnected from the electrical power socket.



LEGENDA	KEY
POMPA	PUMP

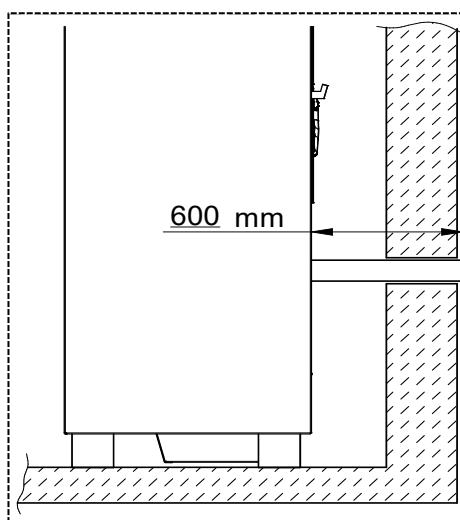
6.2 ASSEMBLY OF EXTERNAL COMBUSTION AIR INLET KIT (optional)



To install the external combustion air intake kit, loosen the screws (A) and remove the protective plate (B). Install the collar (C) using the previously removed screws (A).
 Connect the air intake on the appliance to the exterior of the building with suitable piping, capable of resisting high temperatures. The pipe's length must be maximum 600 mm.



ATTENTION: The suction duct must be protected with a grid and never be clogged. The protection grid, if installed, must be inspected and cleaned on a monthly basis. Moreover, a suitable windbreak fitting must be installed in the duct's terminal.



7 – USE OF THE APPLIANCE



The appliance, when operating, is hot to the touch, particularly the door of the combustion chamber: consequently, take care not to touch any surface. Your appliance has obtained the CE marking. The product must not be used by children, by persons with physical or mental impairments, by persons who are not familiar with the instructions for use and maintenance of the product (the instructions are found in this installation, use and maintenance manual). During the heating and cooling stages the appliance is exposed to considerable thermal expansions that can cause light expansion sounds. This is a normal process and is not a defect of the product.



ATTENTION: the door must always remain shut tight when the appliance is operating. While the appliance is in operation, the smoke exhaust pipes can reach extremely high temperatures: do not touch them! It is strictly forbidden to use any type of liquid or gaseous fuel to light the appliance. Do not place non-heat resistant or inflammable or combustible objects in the vicinity of the appliance: keep them at a suitable distance. Do not place wet clothing to dry on the appliance. When using a clothes horse, keep at a suitable distance. During the first lighting it is quite normal for the paint on the product to give off a slight smell as it completes its drying process. It is recommended to ventilate the room until the paint has completely dried.

7.1 LIGHTING

To startup the stove proceed as follows:

- 1) Fully open the primary air adjustment knob (F), then turn it counter-clockwise as far as it will go.
- 2) Fully open the grill for rekindling the fire (G).
- 3) Fully open the secondary air lever (B), then push it all the way towards the + sign.



ATTENTION: BEFORE LIGHTING THE APPLIANCE MAKE SURE THAT THE GRATE IN THE FIREBOX IS CLEAN, THAT IS THAT THERE IS NO ASH OR COMBUSTION RESIDUES.

- 4) Open the firebox door and load small strips of wood, lighting them using paper or another commercially available means of ignition, then close the firebox door.



IT IS PROHIBITED TO USE ANY LIQUIDS OR GASES SUCH AS ALCOHOL, PETROL, ETC. TO LIGHT OR REKINDLE THE FIRE.

- 5) Do not leave the appliance unsupervised while the lighting process is still in progress (roughly 30 minutes to complete the process) or whenever there are abundant burning embers present.



- 6) Once the lighting phase is completed, close the grill for rekindling the fire (G) using the glove provided.



ATTENTION: THE DOOR OF THE COMBUSTION CHAMBER MUST ONLY BE OPENED FOR THE LIGHTING OPERATIONS, FOR STOKING AND FOR REMOVING RESIDUAL MATERIAL. DURING NORMAL OPERATION THE FIREBOX DOOR MUST REMAIN SECURELY CLOSED.

Leaving open the grill for rekindling the fire (G) during normal operation results in higher fuel consumption than the declared quantity, a considerable drop in efficiency and exposure of the appliance to extremely high temperatures. For this reason, the warranty does not cover any direct or indirect damages caused by prolonged exposure of the appliance to these temperatures.

7.2 REFUELLING

The stove is an intermittent combustion appliance so it requires refuelling. Once combustion is achieved inside the combustion chamber and consequently there are embers present, proceed with the first fuel feed:

- 1) Use the glove provided to open the grill for rekindling the fire (G).
- 2) Use the glove provided and open the firebox door slowly to prevent smoke from escaping and spread the embers using the special scraper hook.

N.B. It is prohibited to light or reload the fuel with a bed of embers higher than 3 cm as this does not guarantee correct use of the appliance.

- 3) Take two or three logs, each of which must not exceed the weight specified in the technical data table, and lay them parallel in the centre of the grate in the combustion chamber, as illustrated in the figure below. Slowly close the firebox door.
- 4) Use the glove provided to open the primary air control to approximately $\frac{3}{4}$ of its stroke in a counter-clockwise direction.
- 5) Use the glove provided to close the grill for rekindling the fire (C).

To rekindle the fire clear the ash from the air passage slots to promote better combustion. Do not add additional fuel until the previous load has burnt or is reduced to embers, then open the firebox door slowly and place the logs in an orderly manner on the bed of embers. Complete the operation by slowly closing the door and return the air control and levers to the positions described above using the special glove provided.



7.3 OVEN (ONLY FLORA)

The FLORA model has a thermometer on the oven's glass door.



THE THERMOMETER GIVES AN APPROXIMATE, NOT PERFECTLY RELIABLE, READING OF THE OVEN TEMPERATURE. THE OVEN TEMPERATURE IS STRICTLY RELATED TO THE QUALITY OF THE FUEL, THE FLUE OUTLET DRAUGHT, THE TEMPERATURE OF THE DELIVERY WATER AND OTHER FACTORS, AND MAY EXPERIENCE SUDDEN VARIATIONS. THEREFORE ALWAYS VISUALLY CHECK THE FOOD FOR DONENESS.

7.4 PRESCRIPTIONS FOR CORRECT OPERATION

- Respect the maximum declared consumption, do not over- load the stove with excessive quantities of fuel as this could cause damage.



LOADING A LARGER QUANTITY OF FUEL OR LOADING SEVERAL TIMES IN AN HOUR WOULD EXPOSE THE COMPONENTS OF THE APPLIANCE TO VERY HIGH TEMPERATURES. FOR THIS REASON THE WARRANTY WILL NOT COVER ANY DAMAGE CAUSED BY PROLONGED EXPOSURE OF THE APPLIANCE TO THESE TEMPERATURES.



DO NOT THROW THE WOOD INTO THE COMBUSTION CHAMBER, PLACE IT IN GENTLY. THROWING THE WOOD COULD END UP BREAKING PARTS. DAMAGE CAUSED IN THIS WAY IS NOT COVERED BY WARRANTY.

- The appliance must not be used as an incinerator, the use of liquid or gaseous fuels is prohibited.
- Adhere strictly to the operating instructions set out in this manual.
- Always verify that the fuel loaded into the combustion chamber lights correctly. Make sure that this always occurs to avoid any buildup of combustible gases. The buildup of a high quantity of combustible gases could exceed the mechanical resistance of the glass and other components of the stove. For this reason, the manufacturer disclaims all responsibility.
- In adverse weather conditions, such as for example low pressure, windy or rainy days or days with high outside temperatures, the effect could be a drop in draught or reverse draught. In these situations the flue gases may not be completely exhausted. Consequently, in these cases it is necessary to increase the primary air and load the smallest amount of fuel in order to reactivate the draught of the flue outlet. If you notice the smell of smoke in the room or stagnation of gases inside the combustion chamber avoid using the appliance.

8 – CLEANING AND MAINTENANCE

8.1 FOREWORD



To guarantee correct operation and optimal performance of the appliance at all times carry out the operations described below. Observe the recommended frequency.

If the product is unused for a prolonged period of time before starting up, it is mandatory to inspect the smoke channel and outlet to ensure that there are no obstructions. It is important to carefully follow the instructions set out below: failure to observe these instructions could cause serious damage to the product, to the system, to objects and to persons using the appliance.



Attention: do not wet or touch the appliance with wet hands. Never vacuum hot ash: this could damage the vacuum device. All the cleaning operations described in this manual must be carried out when the appliance is cold.

The user must periodically clean the appliance, or have an authorised service centre clean it, as described in this manual. Moreover, once a year it is advisable to have an inspection carried out of the functionality of the flue outlet.

8.2 CLEANING AND MAINTENANCE

EVERY TIME YOU REFUEL:

- If necessary thoroughly clean the grate of the combustion chamber by de-ashing the grate through the slots. The air passage through the firebox grate must always be kept free from obstructions. Use the special scraper hook provided to help you.



EVERY TWO DAYS or WHENEVER NECESSARY:

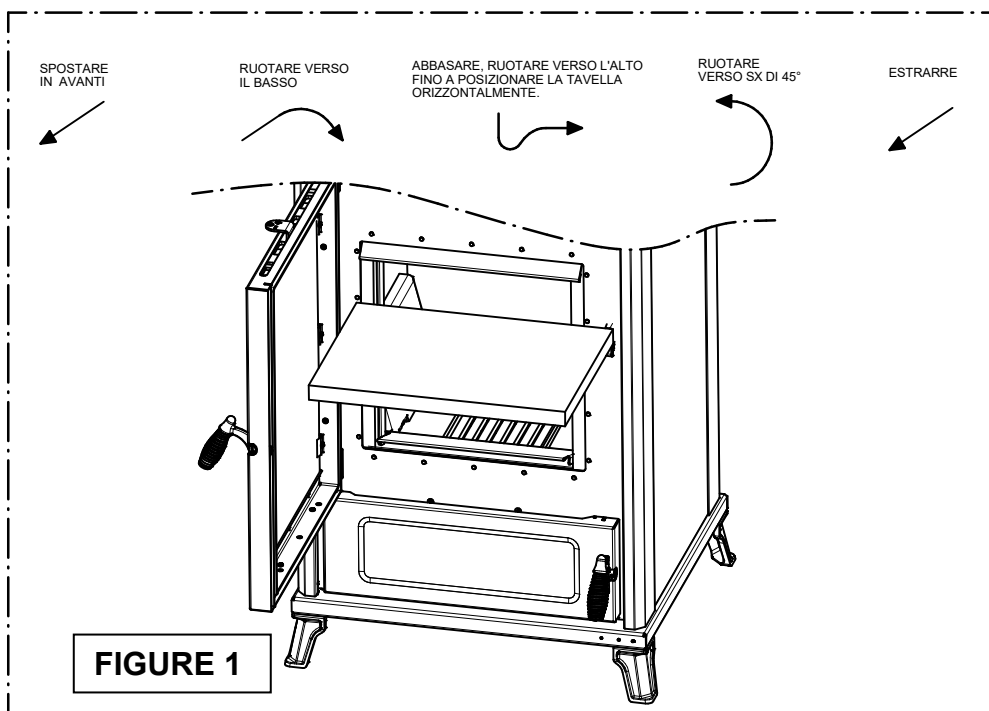
- Empty the ash pan. To remove the ash pan, simply turn the pin counterclockwise, as shown in the figure. We recommend emptying the ash pan regularly before it fills up completely. Once emptied, we recommend closing the pin tightly by turning it clockwise until the end stop.



DORA – FLORA

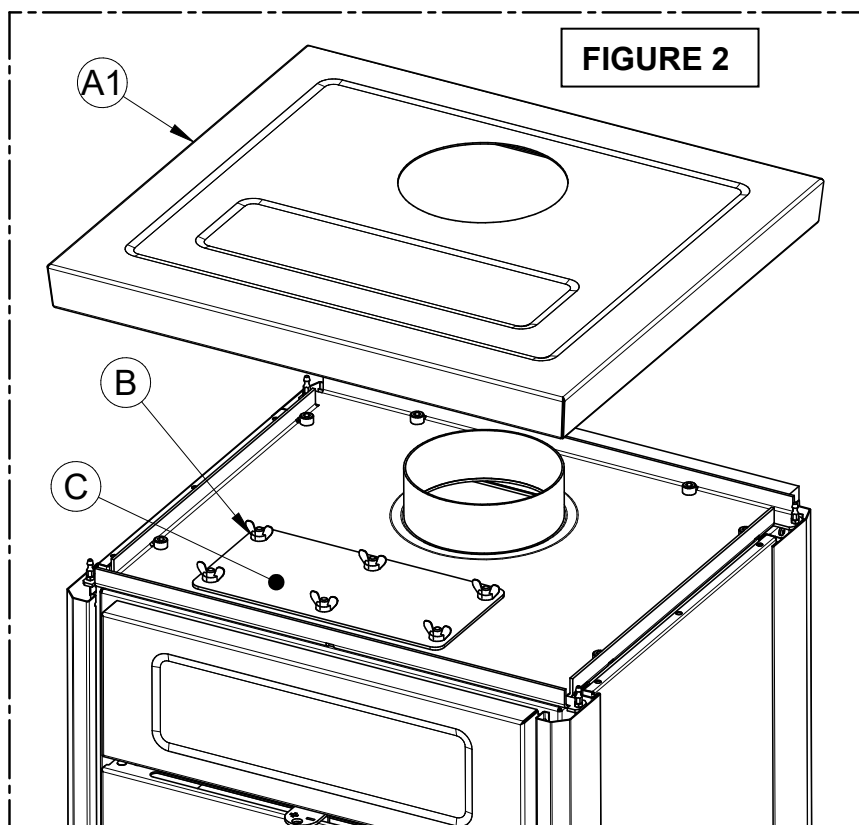
EVERY 15 DAYS or WHENEVER NECESSARY:

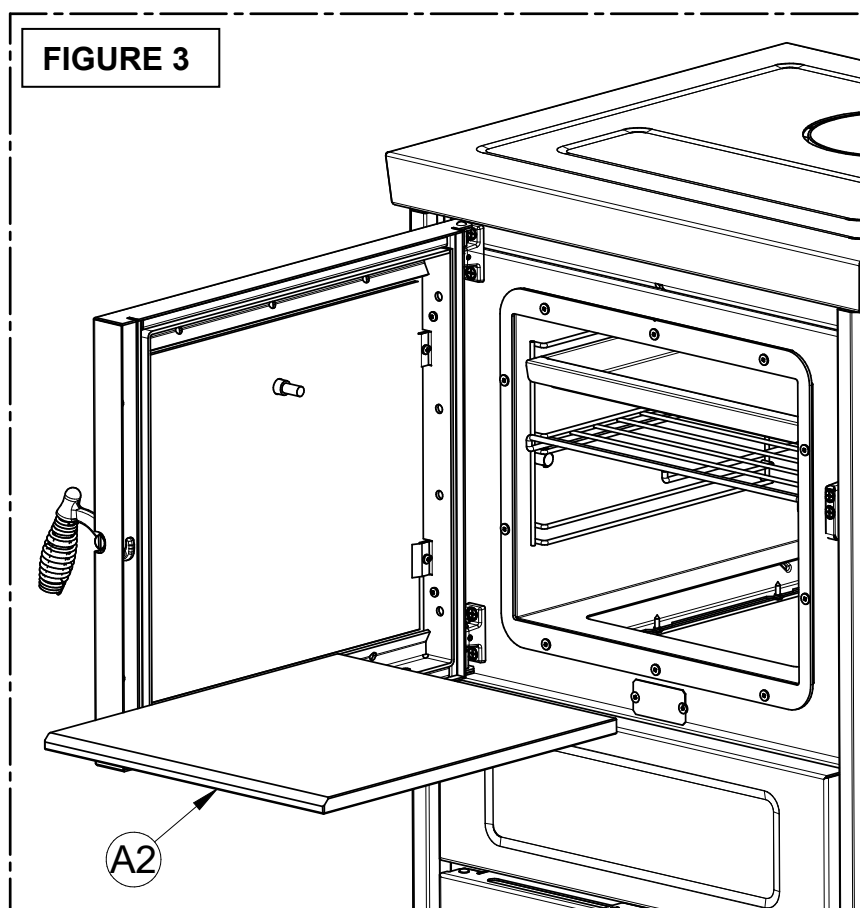
- Clean the inner surfaces of the flue gas path and the lower tube bundle.
To do this, open the fuel feed door and remove the vermiculite tile, see figure 1.



LEGENDA	KEY
SPOSTARE IN AVANTI	MOVE FORWARD
RUOTARE VERSO IL BASSO	ROTATE DOWNWARDS
ABBASSARE, RUOTARE VERSO L'ALTO FINO A POSIZIONARE LA TAVELLA ORIZZONTALMENTE	LOWER, ROTATE UPWARDS UNTIL THE TILE IS HORIZONTAL
RUOTARE VERSO SX DI 45°	ROTATE TO THE LEFT BY 45°
ESTRARRE	EXTRACT

- Clean the inner surfaces of the flue gas path and the upper tube bundle. To do this:
In the DORA model, lift the lid (A1), loosen the six wing nuts (B) and remove the lid (C), see figure 2. After cleaning, carefully check that the lid is tight and sealed.
In the FLORA model, open the oven door and lift the soapstone oven base (A2), see figure 3.





AT LEAST ONCE A YEAR:

- Clean the flue outlet. If there are any horizontal sections, inspect them and clean out any ash and soot deposits before they block the passage of the flue gases.

CLEANING THE GLASS:

- The glass must only be cleaned when the appliance is cool, using little water and mild detergents.

AT THE END OF THE WINTER SEASON OR WHENEVER NECESSARY:

- Perform a thorough overall cleaning of the firebox and pans with brushes and vacuum cleaners.



A vacuum device simplifies the ash cleaning procedure. The front and side casings must be cleaned when the heater is cold using a soft cloth and water. The door of the combustion chamber must only be opened when the appliance has completely cooled down: when it is opened it is normal for some ash to spill onto the floor.



ATTENTION: after cleaning it is mandatory to check that the combustion chamber door is firmly closed and airtight.
ATTENTION: the generator, the smoke channel and the flue outlet must be cleaned in accordance with the specifications described above and use of inflammable products is strictly forbidden: using inflammable products can create dangerous situations. Failure to carry out the necessary maintenance or if only partial maintenance is carried out will affect the correct functioning of the appliance. Any problems resulting from total or partial lack of cleaning or maintenance will immediately void the warranty.



ATTENTION: if the appliance remains inactive (and/or not used) for over a month, the generator, the smoke discharge tube and the flue outlet must be thoroughly cleaned and checked for any possible obstructions (e.g. birds nests in the chimney cap) before restarting.

9 – SMOKE DISCHARGE TUBE

9.1 FOREWORD



Due to the frequent accidents caused by poor functioning of flue outlets installed in private dwellings, we have prepared the following paragraph to assist the installer in his inspection of the parts concerned with eliminating the gases produced by combustion.



The exhaust pipe must be installed in compliance with regulations UNI7129, UNI 10683, and with the stated reference values. In particular, the outlet must comply with fire prevention regulations.

It is important to carefully follow the instructions set out below: failure to observe these instructions could cause serious damage to the product, to the system, to objects and to persons using the appliance.

9.2 ROOM VENTILATION



ATTENTION: The presence of extraction fans or similar appliances, if operating in the same room or space in which the product is installed, could cause problems for the correct operation of the product.

ATTENTION: do not obstruct the vents or the air inlets on the appliance.

The room where the appliance is installed must have a good air inflow to guarantee air for the appliance for the combustion process and for ventilation of the room. The natural air inflow must take place directly through permanent openings on the outer walls or through single or multiple ventilation ducting.

The ventilation air intake must be located away from pollution sources.

The openings in the walls must comply with the following conditions:

- have an unobstructed section of at least 6 cm² for each kW of installed thermal power, with a minimum limit of 100 cm²;
- be made in such a way that the vent openings, both on the inside and outside of the wall, cannot be obstructed;
- be protected with grills or similar systems that do not reduce the opening section indicated above;
- be situated at a height near-floor level and they must not obstruct the correct operation of the combustion product discharge devices; if this position is not possible, the section of the ventilation openings must be enlarged by at least 50%.



The following chapter is not intended to replace UNI 7129, UNI 10683 and EN13240 standards. The qualified installer must in any case be fully aware of this standard and its amending versions.

9.3 SMOKE OUTLET



The smoke channel, the exhaust pipe, chimney and flue outlet (defined as the system for the evacuation of combustion products), are parts of the heating system and they must comply with the legislative requirements of the Ministerial Decree D.M. 37/08 (ex Italian Law 46/90) and to the applicable specific installation regulations, according to the type of fuel. Fireplaces, stoves and barbecues must not be installed in locations where gas appliances type A and type B are present and operating (for the classification see UNI 10642 and UNI 7129). The connection between the appliance and the flue outlet must only receive exhaust from one heat generator.

The installer must provide one or more access points on the flue outlet to check the emissions once the appliance has been installed; these access points must be made in such a way as to be airtight sealable to prevent exhaust gas leaks. It is recommended to provide insulation and to ensure the optimal sizing of the flue outlet in order to avoid the possible risk of condensation forming in the flue outlet.

9.3.1 CHIMNEY TYPES

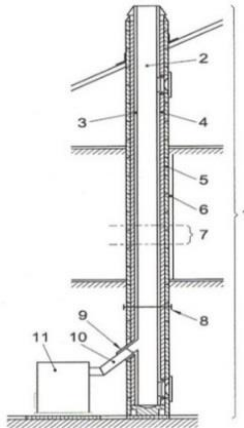
The following types of chimneys, constructed as described, are possible:

- System: chimney installed using a combination of compatible components (flue liner, insulation, outer casing, etc.), manufactured or specified by a single manufacturer and EC certified in accordance with the applicable standard;
- Composite chimney: chimney installed and built on site using a combination of compatible components such as flue liner (wall in direct contact with the flue gases), possibly also insulation and outer casing (wall) that may be supplied by different manufacturers or by the same manufacturer.
- Relining: operation involving the installation of a specific pipe in an existing shaft (even if newly constructed) made of non-combustible materials, free from obstructions and for single use.

9.3.2 FLUE OUTLET / FLUE SYSTEM COMPONENTS

Components and accessories of a chimney

- 1 Chimney
- 2 Flow path
- 3 Smoke discharge tube
- 4 Thermal insulation
- 5 External wall
- 6 Outer lining
- 7 Flue outlet section
- 8 Multiwall chimney
- 9 Connector
- 10 Flue pipe
- 11 Heat generator



Every chimney must have minimum number of components as laid down by standard UNI EN 1443 which are also indicated in the figure on the side.



ATTENTION: Wall outlets, that is outlets installed on the outer front wall without the use of a chimney/flue outlet /flue pipe to convey the combustion products to the roof, are strictly prohibited.

9.3.3 CONTROLS PRIOR TO INSTALLING THE APPLIANCE

The user must possess a certificate of conformance for the flue outlet (Ministerial Decree 22 January 2008, no. 37).

The flue outlet must be built in compliance with UNI 10683.

The smoke exhaust illustrated in the figure on the side is the best solution required to ensure that the flue gases are discharged. If you prefer to exhaust the smoke from the roof insert a union tee with inspection cap, connecting brackets suitable for the height of the flue outlet, flashing that crosses the roof and chimney cap to protect against bad weather conditions.

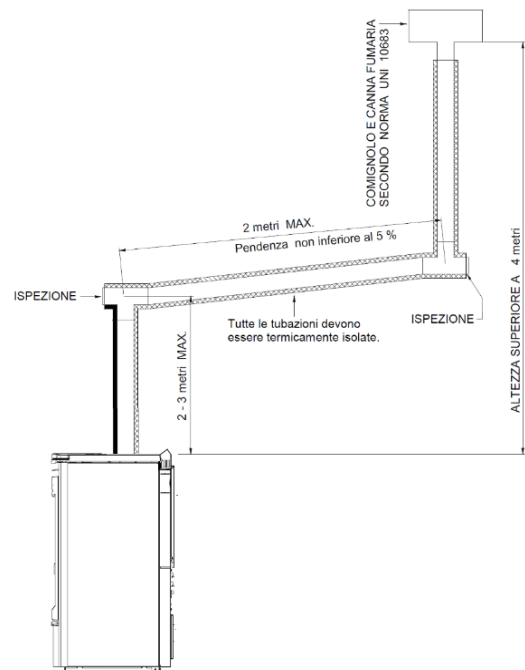
If you decide to use the classic masonry exhaust provide a union tee with inspection cap and suitable supporting brackets. If the flue outlet is too big, it is necessary to insert a stainless steel or porcelain-coated steel tube with suitable diameter.

Seal area where the inlet and outlet part of the smoke exhaust meets the wall. It is strictly forbidden to apply mesh to the end of the outlet tube, as it could cause the appliance to malfunction.

If the smoke tube is installed in a fixed position, it is advisable to provide inspection openings for clean-out purposes especially in the horizontal sections.

See the diagram. These openings are essential to allow for the removal of ash and unburned products which tend to accumulate along the discharge path. Seal the fittings with red silicone (resistant to 350°C).

The outer casing of the tube must be made with insulating material (mineral wool, ceramic fibre) or use pre-insulated tubing.



LEGENDA	KEY
COMIGNOLO E CANNA FUMARIA SECONDO NORMA UNI 10683	CHIMNEY CAP AND FLUE OUTLET ACCORDING TO UNI 10683 STANDARD
2 -3 metri MAX	2 -3 metres MAX.
2 metri MAX	2 metres MAX
Pendenza non inferiore al 5%	Minimum slope 5%
ALTEZZA SUPERIORE A 4 m	HEIGHT MORE THAN 4 m
Tutte le tubazioni devono essere termicamente isolate	All the pipes must be thermally insulated
ISPEZIONE	INSPECTION

THE FLUE OUTLET MUST BE USED ONLY FOR THE APPLIANCE.

It must be possible to inspect and remove all the smoke tube sections for clean-out purposes.



ATTENTION: if the flue outlet is not sufficiently insulated and /or if it is too long it could generate condensation. It is advisable to provide a condensation drain near the smoke outlet of the appliance. The appliance must always and only be installed in a single flue outlet system dedicated exclusively to the appliance.

If the generator is connected to a non-compliant flue system the appliance could rapidly deteriorate due to an abnormal, continuous overheating: in this case the damaged parts will not be covered by warranty.

IN THE EVENT OF A FIRE IN THE CHIMNEY CLOSE ALL THE AIR PASSAGES AND CALL THE FIRE BRIGADE IMMEDIATELY

10 – PROBLEMS, CAUSES AND SOLUTIONS

PROBLEM	CAUSE	SOLUTION
Difficulty in lighting the cooker.	Blocked grate.	Clean the grate.
	Moist wood or too thick.	Use smaller sized and more seasoned wood.
	Poor draught.	Clean the ash pan. Thoroughly clean the flue gas path and the flue outlet Check the flue pipe: • for constrictions • too many curves • bad insulation • section too small
Smoke in the room. Difficulty maintaining the fire. The oven is not heating properly. Flame insensitive to draft variations. Puffs while operating.	Poor draught.	Clean the ash pan. Thoroughly clean the flue gas path. Clean (or have someone clean) the flue. Check the flue pipe: • for constrictions • too many curves • bad insulation • section too small
		No air in the room.
	Moist wood or too thick.	Use smaller sized and more seasoned wood.
The fuel is burning too quickly, uncontrolled combustion.	Excessive draught.	Reduce draught of the flue outlet by installing a suitable device (e.g. draught regulator).
The oven thermometer is no longer accurate or has yellowed. The handles have warped. Broken components inside the combustion chamber.	Excessive consumption of wood, more than the amount indicated in this manual.	Contact a service centre to restore the appliance for a fee then use the appliance as instructed in this manual and comply with all the supplied instructions.
	Incorrect use of the appliance.	
Tendency to generate condensation (presence of humidity /water in the ash-pan compartment and under the product). The temperature of the oven is not rising.	Poor draft	Check the flue outlet
	The system is not absorbing sufficient heat.	Open all the zones of the system, load less wood or install a puffer.
The temperature of the oven is not rising.	Excessive draught.	Reduce draught of the flue outlet by installing a suitable device (e.g. draught regulator).

IF THE RECOMMENDED REMEDIES DO NOT SOLVE THE PROBLEM CONTACT A QUALIFIED TECHNICAL ASSISTANCE SERVICE.

11 – CONDITIONS OF WARRANTY

POINT 1A

Every Thermorossi product is delivered with this warranty certificate. This warranty is to be considered a conventional guarantee as defined in art. 133 of Italian Legislative Decree no. 206 dated 6 September 2005 (so-called Consumer Code). This warranty does not in any way affect the rights expressly granted to the consumer concerning the sale of consumer goods as set forth in Italian Legislative Decree no. 206/2005. The consumer is therefore always entitled to exercise these rights with the seller, under the terms and conditions established by the aforementioned legislative decree and by this conventional guarantee.

DORA – FLORA

This warranty is valid only in the case where the product is purchased for domestic uses (i.e. the subject is a consumer as defined in art. 3 paragraph 1, point A of Italian legislative decree 206/2005) and, in any case, not for business or professional purposes. Barring the cases provided for by law, it is the responsibility of the purchaser to demonstrate any product defects and should such product be found to be fully functional, the warranty will be considered inapplicable. The warranty is valid only if the product is installed, used and serviced in accordance with all the instructions provided in the use, maintenance and installation guide delivered with the product.

This warranty certificate is valid solely for the parts mentioned herein.

The warranty is valid for 24 months for the product, excluding the components expressly indicated in point 1C herein. Thermorossi is therefore not responsible for demonstrating the full functionality of the system to which the product is connected, which remains the customer's responsibility. The warranty is subject to the limits and exclusions specified in this warranty certificate and exclusively under the conditions stated herein. In any case, for a warranty claim to be taken into consideration, the customer must report the non-conformity to the seller in writing no later than two months from the date of its identification. The warranty is null and void if this deadline is not respected. The purchaser is responsible for demonstrating that this warranty is valid; this can be done by presenting a delivery document issued by the seller or another document (receipt, till receipt or similar...) indicating the name of the seller, the product identification details (e.g. model code) and the date of the sale or delivery date if later.

Therefore, for the warranty to be valid, the above documentation must be kept by the consumer and shown when the product is being inspected/repaired. This warranty is valid solely under the following conditions:

- all product installation or connection operations are carried out by personnel qualified in accordance with law, who must issue an appropriate declaration of conformity attesting that the work has been carried out according to best practices and scrupulously following the instructions provided in the use, maintenance and installation guide delivered with the product and the regulations regarding systems and safety.
- all operations involving the use of the product, as well as periodic maintenance, must be carried out according to the instructions and indications provided in the use, maintenance and installation guide delivered with the product.
- all repairs to the product must be carried out by personnel of Thermorossi S.p.A. authorised service centres;
- only original Thermorossi spare parts, accessories and consumables must be used.

The warranty (if present) on the vitrified body lasts 8 years from the invoice date.

The warranty (if present) on the standard wet body lasts 4 years from the invoice date.

Both the warranty on the vitrified body and that on the standard wet body, if present, only cover the internal surface of the combustion chamber in contact with combustion gases, notwithstanding the limits and exclusions listed in this warranty certificate and exclusively in the conditions hereby reported. It shall not apply if the product was not installed by a qualified technician who has verified that all characteristics of the system are suitable. Such characteristics must comply with the legislation on safety and systems. It shall not apply if the product is connected to a system that may cause corrosion, deposits or breakage due to stray currents, condensation, water aggressiveness or acidity, improper descaling treatments, lack of water, sludge or limescale deposits. Failing to connect the system circulating pump to the specific terminal block in the generator causes the warranty to be immediately declared null and void. The system must necessarily guarantee a return water temperature exceeding 55°C.

POINT 1B

Components damaged by causes and/or events external to the product are excluded from this warranty.

The warranty does not apply to damage caused by: excessive or insufficient flue outlet draught, lack of maintenance, failure to clean the product, atmospheric and chemical agents, corrosion of any type and/or nature, fuel overloads, fire, cleaning, tampering with the product, parts damaged due to overheating caused by a lack of maintenance or excess fuel load.

POINT 1C

The following components are excluded from the warranty: door ceramic glass, majolica tile parts, refractory materials, painted or galvanised parts, enamelled parts, gaskets, knobs, handles, thermometers and consumables in general. Warranty replacement does not imply any resetting of the conventional guarantee or its extension. Colour variations on the majolica tiles and the presence of crazing or spotting are not a reason for claims because they are natural characteristics of the materials themselves. Parts found to be defective due to negligence or careless use, damage during transport, incorrect maintenance, or incorrect installation, are not covered by the warranty.

POINT 2A

The technical assistance centre will take appropriate action as soon as possible in the event of failure of the product to function. In this regard, no compensation shall be due for damage or problems following forced inactivity of the product. Repairs or replacements carried out under this conventional guarantee do not imply any resetting of the conventional guarantee or its extension. Thermorossi will repair the product if possible and this is not too costly for the company. The product will only be replaced if it is objectively impossible to repair it and its replacement is not too costly. The product will not be replaced if external factors have caused evident malfunctions. For the purposes of this conventional guarantee, replacement of the product shall be considered too costly if it entails unreasonable expenses compared to its repair, taking into account the estimated value of the product without the defect, the seriousness of the non-conformity and the possibility of repairs being carried out without significantly inconveniencing the consumer. If technical assistance is provided by the personnel of the technical assistance centres at the customer's request, and such assistance is provided outside the warranty (e.g. because the warranty is not valid, because the customer has not sent the warranty certificate in the set times, or because the part is excluded from this warranty), the costs of such assistance will be charged in full to the customer. These costs include:

Call-out fee, the cost of labour and any parts to be replaced. These costs will be of a reasonable amount and the customer can ask the assistance centre for an indication of the amounts in advance. In any case, it should be noted that requests for assistance "under warranty" which, based on the report and analysis carried out by the assistance centre, are the result of tampering, negligence or non-compliant installation, lack of cleaning or in any case not falling within the scope of this conventional guarantee, will entail:

Call-out fee, the cost of labour and any parts to be replaced. These costs will be of a reasonable amount and the customer can ask the assistance centre for an indication of the amounts in advance.

POINT 2B

Thermorossi S.p.A. declines liability for any damage directly or indirectly caused to persons, animals or property, due to or related to installation that does not comply in full with current regulations and/or installation, use and maintenance that does not comply in full with all the instructions contained in the installation, use and maintenance guide delivered with the product.



THERMOROSSI 

Fire Lovers

THERMOROSSI S.p.A.

Via Grumolo, 4 (Z.I.) 36011 Arsiero (VI) - ITALY

Fax 0445.741657 - www.thermorossi.com - info@thermorossi.it