

# THERMOROSSI

*Fire Lovers*

## FLÅM CASING

ITA - MANUALE DI INSTALLAZIONE.

FRA - MANUEL D'INSTALLATION.

ENG - INSTALLATION GUIDE.

DEU - INSTALLATIONSANLEITUNG.

ESP - MANUAL DE INSTALACIÓN.

NL - HANDLEIDING VOOR INSTALLATIE.





**FLÅM CASING**

**1 – INTRODUCTION**

**1.1 GENERAL GUIDELINES**



ATTENTION: The majolica elements are handcrafted so they could contain subtle surface imperfections, crazing or shade variations. The layer of glaze has an expansion factor that is different to that of the majolica tiles which is what causes the hairline cracks. This phenomenon is a natural process and is not a defect. We recommend cleaning the majolica tiles with a dry microfibre cloth. Using moist or wet cleaning cloths would show up the natural crazing even more.

*Thermorossi S.p.A. retains copyright on these service instructions. These instructions may not be reproduced or communicated to third parties or used in any other way without the necessary authorisation.*

**1.2 TRANSPORTATION AND STORAGE**

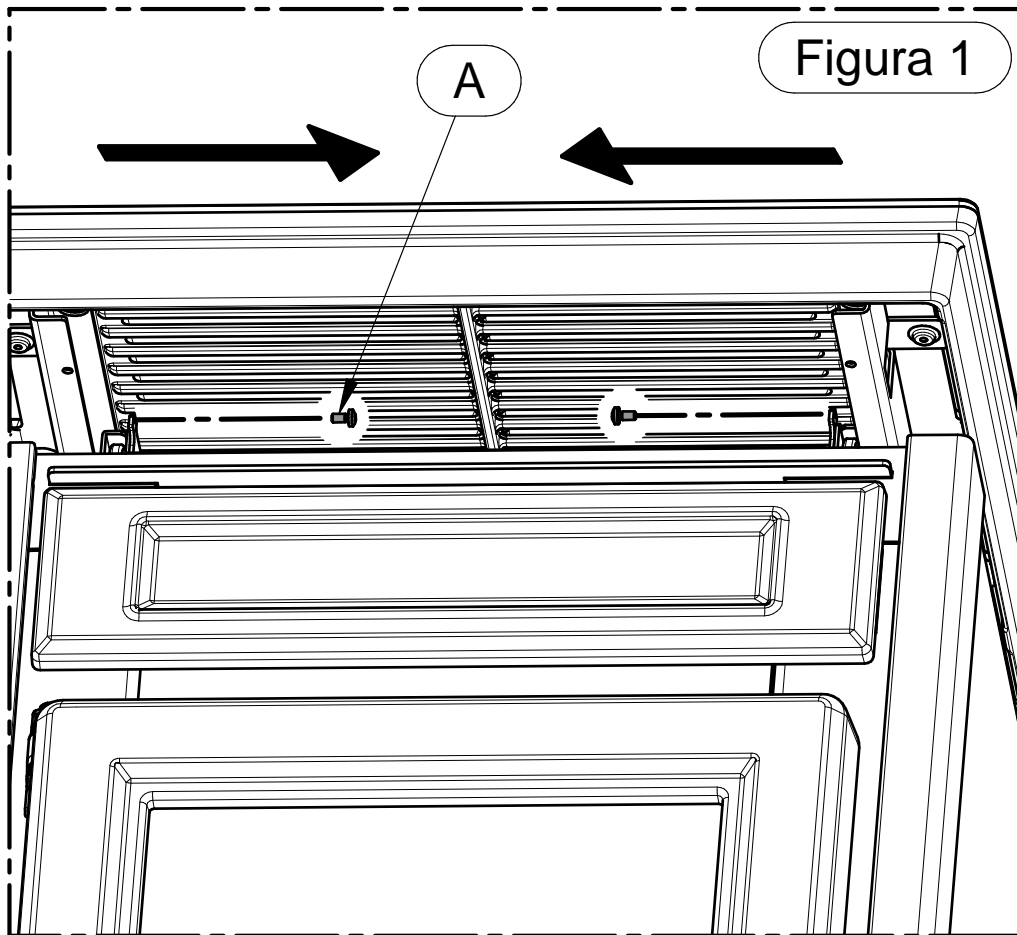
**TRANSPORTATION AND HANDLING**

Take special care to protect all the fragile parts from mechanical impact which could damage them.

**STORAGE**

The casing must be stored in a humid-free environment and sheltered from the weather; avoid placing the casing directly on the ground. The company is not responsible for damages caused by negligence.

**2 – ASSEMBLING THE CASING**



1 - Remove the two fasteners (A) that secure the sliding tray.

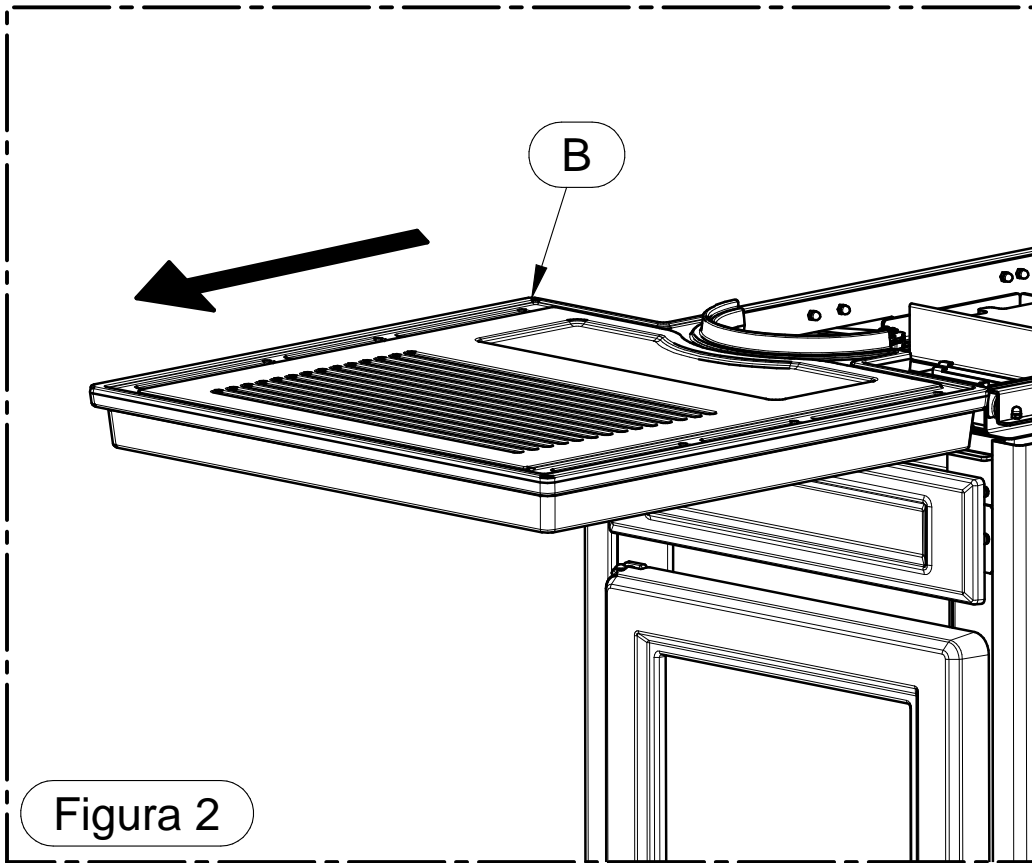


Figura 2

2 - Remove the sliding tray, pulling it out as far as it will go.

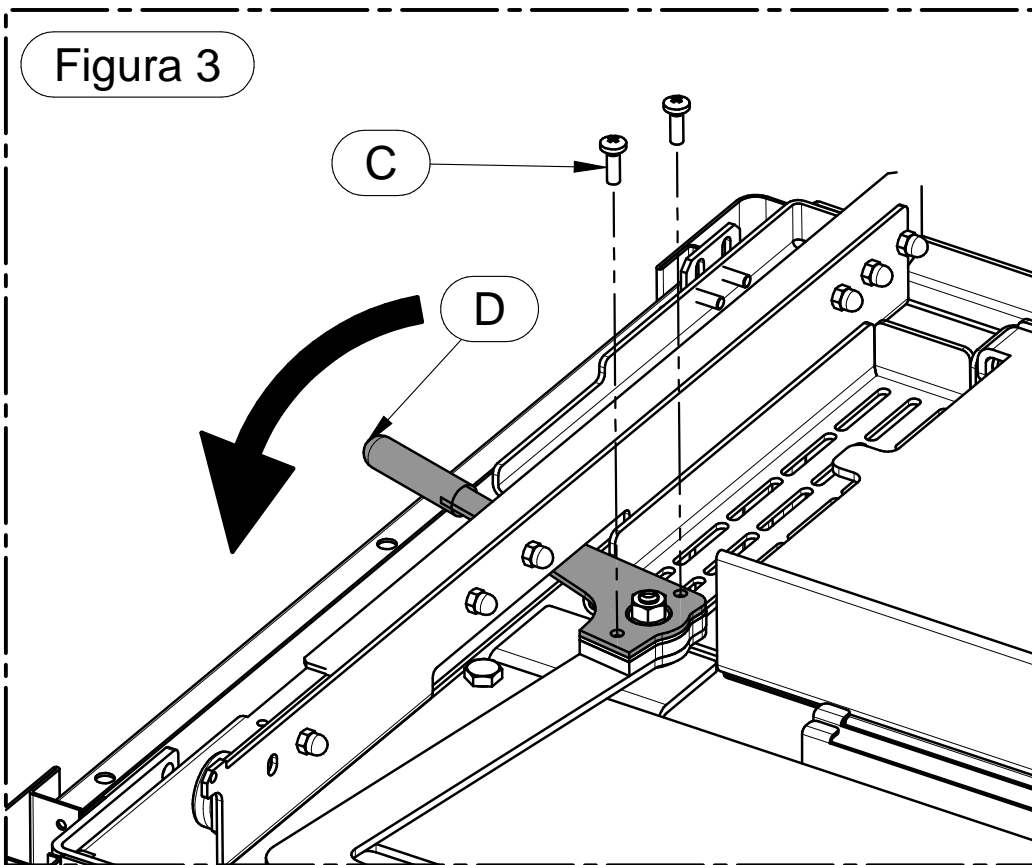
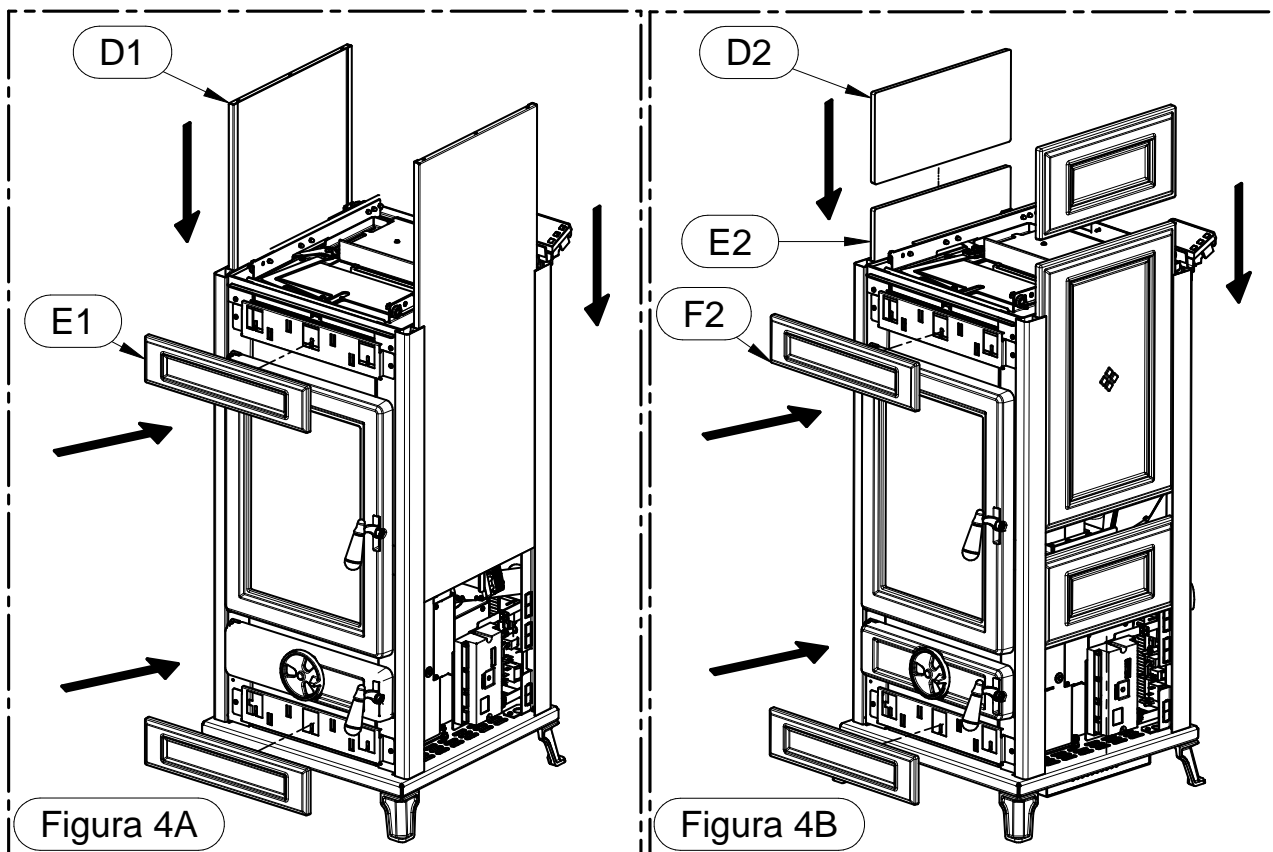


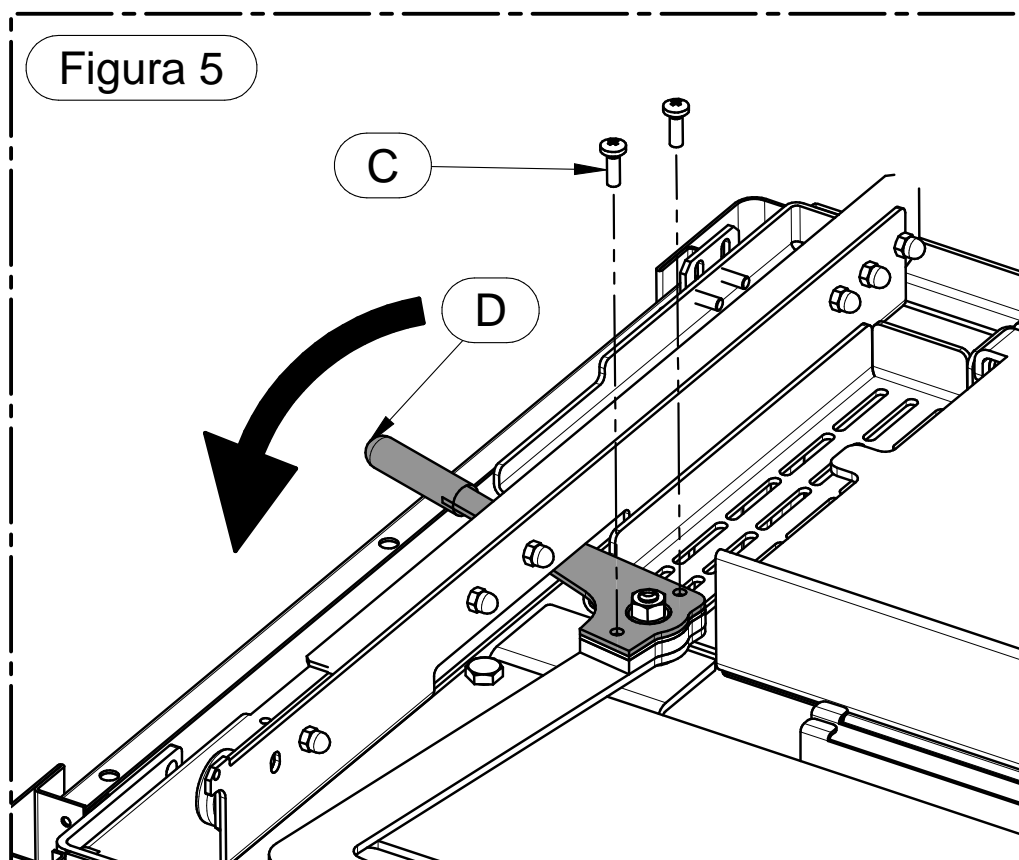
Figura 3

3 - Unscrew the screws C and pull out the air adjustment lever D.

FLÀM CASING



4 - Install the Easy side panel or the majolica tiles as shown in the figures above.



5 - Reinstall the air adjustment lever D.

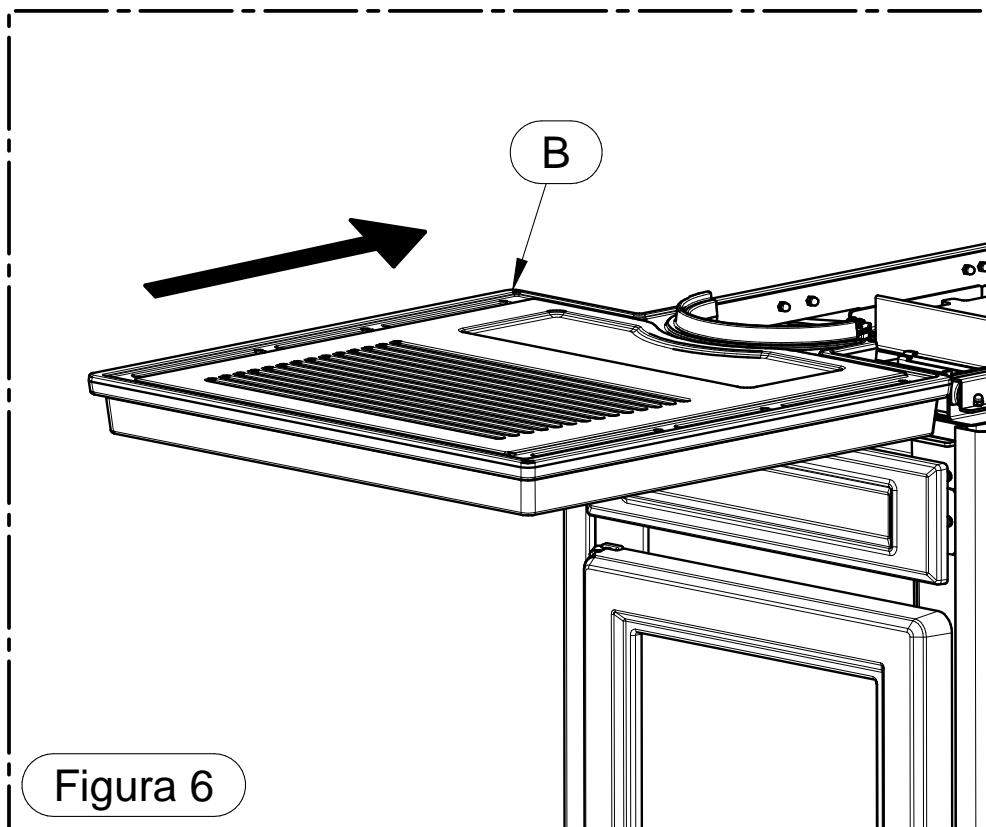


Figura 6

6 - Insert the sliding tray (B) that you removed earlier.

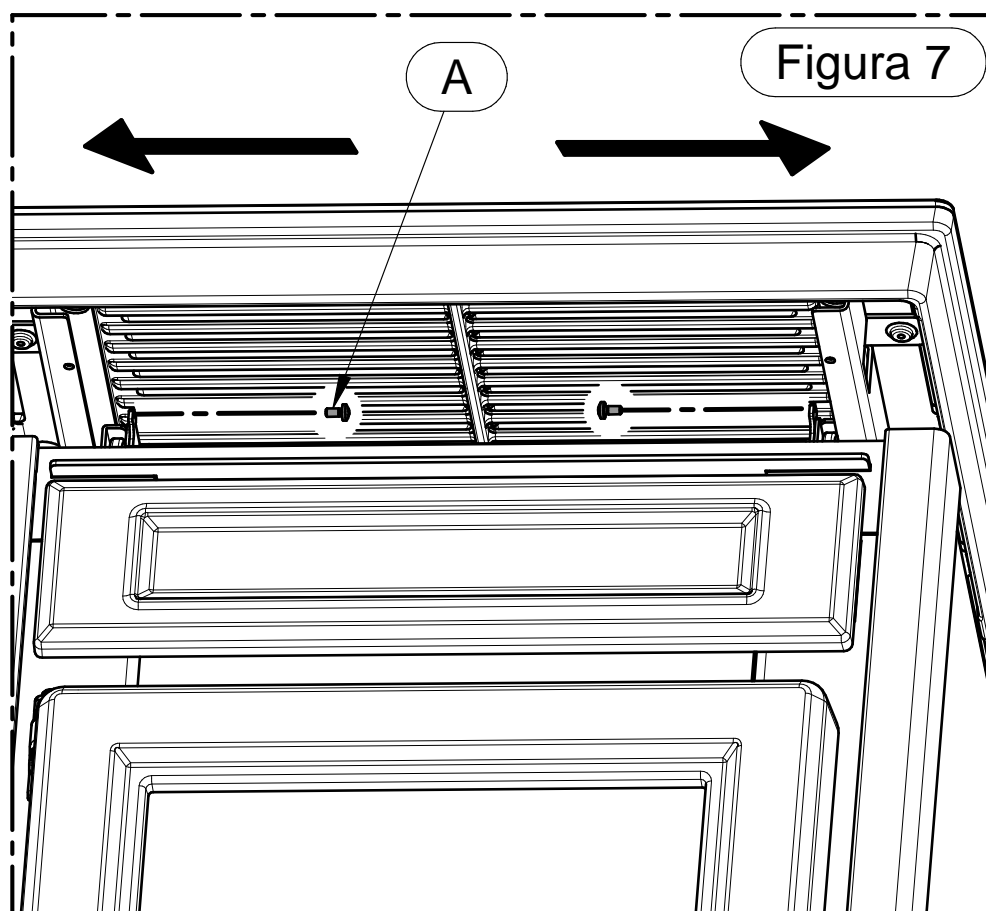


Figura 7

7 - Reinstall the two fasteners removed earlier.





**THERMOROSSI** 

*Fire Lovers*

THERMOROSSI S.p.A.

Via Grumolo, 4 (Z.I.) 36011 Arsiero (VI) - ITALY

Fax 0445.741657 - [www.thermorossi.com](http://www.thermorossi.com) - [info@thermorossi.it](mailto:info@thermorossi.it)