

THERMOROSSI

SLIMQUADRO LUMIA

ITA - MANUALE DI INSTALLAZIONE, USO E MANUTENZIONE.
FRA - MANUEL D'INSTALLATION, D'UTILISATION ET D'ENTRETIEN.
ENG - INSTALLATION, USE AND MAINTENANCE GUIDE.
DEU - INSTALLATIONS-, BETRIEBS- UND WARTUNGSANLEITUNG.
ESP - MANUAL DE INSTALACIÓN, USO Y MANTENIMIENTO.
NL - HANDLEIDING VOOR INSTALLATIE, GEBRUIK EN ONDERHOUD



ITA - Informazioni importanti per la sicurezza ed il corretto funzionamento.
FRA - À lire impérativement ! Informations importantes pour la sécurité et le bon fonctionnement.
ENG - Must read! Important information for safety and correct operation.
DEU - Unbedingt lesen! Wichtige Informationen zur Sicherheit und zum sicheren Betrieb.
ESP - ¡Leer! Informaciones importantes para la seguridad y el correcto funcionamiento.
NL - Belangrijke informatie voor de veiligheid en correcte werking.

SLIMQUADRO LUMIA

INDEX

1 – INTRODUCTION.....	5
2 – TECHNICAL CHARACTERISTICS.....	7
3 – GENERAL DESCRIPTION	8
4 – INSTALLATION.....	9
5 – DESCRIPTION OF THE CONTROLS.....	12
6 – USE OF THE APPLIANCE	19
7 – ADDITIONAL CHRONOTHERMOSTAT.....	25
8 – CLEANING AND MAINTENANCE	26
9 – SMOKE DISCHARGE TUBE AND VENTILATION OF THE ROOMS.....	31
10 – ALARMS.....	34
11 – ELECTRICAL WIRING	35
12 – INFORMATION FOR THE SKILLED TECHNICIAN	36

SLIMQUADRO LUMIA

EU Declaration of Conformity (DoC) / Dichiarazione di Conformità UE (DoC)

Company name: **THERMOROSSI S.P.A.** Postal address: **VIA GRUMOLO, N° 4**
 Azienda: **THERMOROSSI S.P.A.** Indirizzo: **VIA GRUMOLO, N° 4**
 Postcode and city: **36011 ARSIERO (VI)** Telephone number: **0445/741310**
 Codice postale e città: **36011 ARSIERO (VI)** Numero di telefono: **0445/741310**
 E-mail address: **INFO@THERMOROSSI.IT**
 Indirizzo e-mail: **INFO@THERMOROSSI.IT**

declare that the DoC is issued under our sole responsibility and belongs to the following product:
 dichiara che la dichiarazione viene rilasciata sotto la propria responsabilità e si riferisce al seguente prodotto:

Apparatus model / Product: Pellet stove Trademark: **THERMOROSSI S.P.A.**
 Descrizione prodotto: Stufa a pellet Marchio: **THERMOROSSI S.P.A.**
 Model: **SLIMQUADRO LUMIA**
 Modello: **SLIMQUADRO LUMIA**

The object of the declaration described above is in conformity with the relevant Union harmonisation legislation:
 L'oggetto della dichiarazione di cui sopra è conforme alla pertinente normativa di armonizzazione dell'Unione:

- **Direttiva 2014/30/UE, EMCD**
- **Direttiva 2014/35/UE, LVD**
- **Direttiva 2011/65/UE, RoHS**
- **2014/30/EU Directive, EMCD**
- **2014/35/EU Directive, LVD**
- **2011/65/EU Directive, RoHS**

Sono state applicate le seguenti norme armonizzate e/o specifiche tecniche:
 The following harmonised standards and/or technical specifications have been applied:


EN 55014-1 EN 60335-1
 EN 55014-2 EN 60335-2-102 EN 50581
 EN 61000-3-2 EN 62233
 EN 61000-3-3

EN 14785 tests carried out by the notified laboratory Kiwa Cermet Italia S.p.a (N.B: 0476) Viale Venezia, 45 31020 San Vendemiano (TV).

Arsiero, 28/08/2023

Firma/Sign.



THERMOROSSI <i>Fire Lovers</i>		DICHIARAZIONE DI PRESTAZIONE IN ACCORDO CON IL REGOLAMENTO (UE) 305/2011 <i>DECLARATION OF PERFORMANCE ACCORDING TO REGULATION (EU) 305/2011</i>		N° 61		
1	Codice di identificazione unico del prodotto-tipo: SLIMQUADRO LUMIA <i>Unique identification code of the product type:</i>	2	Modello, lotto, serie ai sensi dell'articolo 11, paragrafo 4: SLIMQUADRO LUMIA <i>Model, batch or serial number required under Article 11 (4):</i>			
3	Usi previsti del prodotto da costruzione, conformemente alla relativa specifica tecnica armonizzata: <i>Intended uses of the construction product, in accordance with the applicable harmonised technical specification:</i> Apparecchio per il riscaldamento domestico, senza acqua, alimentato a pellet di legno / Residential space heating appliance without water fired by wood pellets					
4	Nome registrato e indirizzo del fabbricante ai sensi dell'articolo 11, paragrafo 5: <i>Name and contact address of the manufacturer as required pursuant Article 11 (5):</i> THERMOROSSI S.P.A. Via Grumolo, n° 4 36011 Arsiero (Vicenza)	5	Nome e indirizzo del mandatario ai sensi dell'articolo 12, paragrafo 2: <i>Name and address of the agent as required pursuant to Article 12 (2):</i> -			
6	Sistema di valutazione e verifica della costanza della prestazione del prodotto da costruzione di cui all'allegato V: Sistema 3 e 4 <i>System of assessment and verification of constancy of performance of the construction product as set out in Annex V: System 3 and 4</i>					
7	Laboratorio notificato: <i>Notified laboratory:</i> KIWA CERMET ITALIA S.p.A. N° 0476	Numero del rapporto di prova secondo il sistema 3 / Test report number based on System 3: 2011400				
Prestazione dichiarata / Declared performance						
<i>Specifica tecnica armonizzata/Harmonized technical specification:</i>			EN 14785:2006			
<i>Caratteristiche Essenziali / Essential characteristics</i>			Prestazione / Performance			
<i>Reazione al fuoco / Reaction to fire</i>			A1			
<i>Distanza da materiali combustibili / Distance to combustible materials</i>			Minime distanze / <i>Minimum distances</i> (mm): posteriore/rear = 200 lati/sides = 200 frontale / front = 1.000 soffitto/ceiling = - pavimento / floor = -			
<i>Rischio di fuoriuscita di braci incandescenti / Risk of burning fuel falling out</i>			Conforme / Compliant			
<i>Temperatura superficiale/Surface temperature</i>			Conforme / Compliant			
<i>Sicurezza elettrica / Electrical safety</i>			Conforme / Compliant			
<i>Pulizia / Cleanability</i>			Conforme / Compliant			
<i>Emissione di prodotti della combustione / Emission of combustion products</i>			CO = 62 mg/m³ a potenza termica nominale / CO at Nominal heat output CO = 331 mg/m³ a potenza termica ridotta / CO at Reduced heat output			
<i>Pressione massima di esercizio / Maximum operating pressure</i>			- bar			
<i>Temperatura fumi a potenza termica nominale / Flue gas temperature at nominal heat output</i>			T 114 °C			
<i>Resistenza meccanica (per sopportare il camino) / Mechanical resistance (to carry a chimney)</i>			NPD {No Determined Performance}			
<i>Potenza termica nominale / Nominal heat output</i>			10.2 kW			
<i>Potenza termica resa in ambiente / Room heating output</i>			10.2 kW			
<i>Potenza termica ceduta all'acqua / Water heating output</i>			-,- kW			
<i>Rendimento / Efficiency</i>			94.4 % alla potenza termica nominale / Nominal heat output 96.4 % alla potenza termica ridotta / Reduced heat output			
9	La prestazione del prodotto di cui ai punti 1 e 2 è conforme alla prestazione dichiarata di cui al punto 8. Si rilascia la presente dichiarazione di prestazione sotto la responsabilità esclusiva del fabbricante di cui al punto 4. <i>The performance of the product identified in points 1 and 2 is in conformity with the declared performance in point 8.</i> <i>This declaration of performance is issued under the sole responsibility of the manufacturer identified in point 4.</i> Arsiero, 28/08/2023				Firma/Signature: 	

SLIMQUADRO LUMIA

IT – SCHEDA PRODOTTO (UE 2015/1186) EN – PRODUCT FICHE (EU 2015/1186) FR – FICHE PRODUIT (UE 2015/1186) NL – PRODUCTGEGEVENSBLAD (EU 2015/1186) DE – PRODUKTDATENBLATT (EU 2015/1186) ES – FICHA DE PRODUCTO (UE 2015/1186)	IT – MARCHIO EN – BRAND FR – MARQUE NL – MERK DE – MARKE ES – MARCA	<p>THERMOROSSI S.P.A.</p>
IT – MODELLO EN – MODEL FR – MODÈLE NL – MODEL DE – MODELL ES – MODELO		<p>SLIMQUADRO LUMIA</p>
IT – CLASSE DI EFFICIENZA ENERGETICA EN – ENERGY EFFICIENCY CLASS FR – CLASSE D'EFFICACITÉ ÉNERGÉTIQUE NL – ENERGIE EFFICIENTIEKLASSE DE – ENERGIEEFFIZIENZKLASSE ES – CLASE DE EFICIENCIA ENERGÉTICA		<p>A +</p>
IT – POTENZA TERMICA DIRETTA EN – DIRECT HEAT OUTPUT FR – PUISSANCE THERMIQUE DIRECTE NL – DIREKTE WARMTEAFGIFTE DE – DIREKTE WÄRMELEISTUNG ES – POTENCIA CALORÍFICA DIRECTA		<p>10.2 kW</p>
IT – POTENZA TERMICA INDIRETTA EN – INDIRECT HEAT OUTPUT FR – PUISSANCE THERMIQUE INDIRECTE NL – INDIRECTE WARMTEAFGIFTE DE – INDIRECTE WÄRMELEISTUNG ES – POTENCIA CALORÍFICA INDIRECTA		<p>-</p>
IT – INDICE DI EFFICIENZA ENERGETICA EN – ENERGY EFFICIENCY INDEX FR – INDICE D'EFFICACITÉ ÉNERGÉTIQUE NL – ENERGIE-EFFICIENTIE-INDEX DE – ENERGIEEFFIZIENZINDEX ES – ÍNDICE DE EFICIENCIA ENERGÉTICA		<p>126</p>
IT – EFFICIENZA UTILE ALLA POTENZA TERMICA NOMINALE EN – USEFUL ENERGY EFFICIENCY AT NOMINAL HEAT OUTPUT FR – RENDEMENT UTILE À LA PUISSANCE THERMIQUE NOMINALE NL – NUTTIG RENDEMENT BIJ NOMINAAL VERMOGEN DE – BRENNSTOFF-ENERGIEEFFIZIENZ BEI NENNWÄRMELEISTUNG ES – EFICIENCIA ENERGÉTICA ÚTIL A POTENCIA CALORÍFICA NOMINAL		<p>94.4%</p>
IT – EFFICIENZA UTILE AL CARICO MINIMO EN – USEFUL ENERGY EFFICIENCY AT MINIMUM LOAD FR – RENDEMENT UTILE À LA CHARGE MINIMALE NL – NUTTIG RENDEMENT BIJ MINIMALE WARMTEAFGIFTE DE – BRENNSTOFF-ENERGIEEFFIZIENZ BEI MINDESTLAST ES – EFICIENCIA ENERGÉTICA ÚTIL A CARGA MINIMA		<p>96.4%</p>
IT – RISPETTARE TUTTE LE ISTRUZIONI RIPORTATE SUL MANUALE DI INSTALLAZIONE USO E MANUTENZIONE EN – ALWAYS FOLLOW THE INSTRUCTIONS PROVIDED IN THE OPERATING AND MAINTENANCE MANUAL FR – RESPECTER TOUTES LES INSTRUCTIONS CITÉES DANS LA NOTICE D'INSTALLATION, UTILISATION ET ENTRETIEN NL – VOLG ALTIJD DE INSTRUCITIES VAN DE INSTALLATIE-, GERUikersHANDLEIDING EN DE ONDERHOUDSVOORSCHRIFTEN DE – ERFÜLLEN DIE ANWEISUNGEN DER INSTALLATION, NUTZUNG UND WARTUNG, DIE IN DEM ANLEITUNGSBUCH SIND ES – RESPECTAR LAS INSTRUCCIONES REPORTADAS EN EL MANUAL DE UTILIZACIÓN Y MANTENIMIENTO		

1 – INTRODUCTION

1.1 SAFETY GUIDELINES

This installation, use and maintenance manual is an integral and essential part of the product and must be kept by the user. Before commencing with the installation, use and maintenance of the product, carefully read this guide. All local, national and European regulations regarding the installation and use of the appliance must be met. The Manufacturer recommends carrying out all the maintenance operations described in this manual.

This appliance must only be used as intended by the manufacturer. Any other use is considered incorrect and therefore hazardous; consequently, the user shall be totally liable for the product if used improperly. Installation, maintenance and repairs must be carried out by professionally qualified personnel, certified according to Decree no. 37 of 22 January 2008 and in compliance with current regulations. In case of repairs only original spare parts supplied by the manufacturer must be used. Incorrect installation or poor maintenance can injure or damage people, animals or things; in this case the manufacturer shall be relieved of all responsibility.

Before beginning any cleaning or maintenance operation switch off the appliance by means of the 0/I main switch and disconnect the plug from the electrical power socket. The product must be installed in suitable locations and furnished with all the services (power and outlets) which the appliance requires for a correct and safe operation. Any repairs or actions carried out on any systems, components or internal parts of the appliance, or on any of the accessories supplied with it, that are not specifically authorised by Thermorossi S.p.A. will automatically void the warranty and the manufacturer's responsibility, pursuant to Italian Decree no. 224 of the President of the Republic of 24/05/1988, art. 6/b.

It is recommended to keep this manual in a safe place that is easily accessible to all users; if the manual is lost or deteriorated contact the manufacturer for a replacement copy. If the appliance is sold or transferred to another user ensure that the manual is handed over with it. The images and figures featured in this manual are purely illustrative and may differ from the actual product. Furthermore, Thermorossi reserves the right to apply changes to the content of this manual anytime and without notice.

Thermorossi S.p.A. retains copyright on this manual. These instructions may not be reproduced or communicated to third parties or used in any other way without the necessary authorisation.

1.2 SAFETY STANDARDS



PERSONAL INJURY

This safety symbol identifies important messages throughout the manual. Read the information marked by this symbol carefully as non-observance of this message can cause serious injury to persons using the appliance.



DAMAGE TO PROPERTY

This safety symbol identifies messages or instructions that are fundamental for the appliance and system to function well. To avoid serious damage to the appliance, adhere strictly to these instructions.



INFORMATION

This symbol indicates important instructions for good functioning of the appliance. If this information is not correctly observed, the performance of the appliance will not be satisfactory.

1.3 RECOMMENDATIONS



Read this entire use and maintenance manual carefully before using the appliance as familiarity with the information and instructions contained in it are essential for the correct use of the appliance.

No responsibility will be accepted for damages, even to third parties, if the instructions for installation, use and maintenance of the appliance are not followed scrupulously. Modifications made to the appliance by the user or on his behalf, must be considered to be under his complete responsibility. The user is responsible for all the operations required for the maintenance of the appliance before and during its use.

1.4 GENERAL GUIDELINES



Attention: the appliance must be connected to a system provided with a PE conductor (in compliance with the specifications concerning low-voltage equipment). Before installing the appliance check the efficiency of the earth circuit of the power supply system.

Attention: the power supply line must have a section which is suitable for the power of the equipment. The cable section must in any case be no less than 1.5 mm². The appliance requires powering with a voltage of 230V and 50 Hz. Voltage variations greater than 10% of the nominal value can cause irregular operation or damage the electrical device. Position the appliance so that the electric power outlet in the room is easily accessible. Ensure that a suitable differential switch is installed upstream from the equipment.

Position the power supply cable in order to prevent any contact of the latter with the smoke exhaust pipe or hot parts of the appliance. If the power cord is damaged it must be replaced by the manufacturer or by an authorised technical assistance service in order to avoid risks.

Your appliance has obtained the CE marking and has been made to run for 1 hour to check that it functions correctly.

The product must not be used by children under the age of 8 years, by persons with physical, mental or sensorial impairments, or by persons who are not familiar with the instructions for use and maintenance of the product (the instructions are found in this booklet). Children must not play with the appliance.

SLIMQUADRO LUMIA

ATTENTION: Before every use make sure that the burner is clean and positioned correctly in its seat, check that the ash pan is clean and that the firebox door is firmly closed and tight.

ATTENTION: the door must always remain shut tight when the appliance is operating. It is strictly forbidden to open the door while the appliance is in operation. During operation, the smoke exhaust pipes, door, handles and some parts of the appliance may reach extremely high temperatures: be careful not to touch them and also educate children to be aware of said risks. Do not expose your body to hot air for long, do not overheat the room in which the appliance is installed, as these actions could cause health problems. Do not expose plants or animals directly to the hot air flow as this could have noxious effects on them. It is strictly prohibited to use any type of fuel (liquid, solid...) to light up the appliance: lighting must occur automatically as intended and described in this installation, use and maintenance booklet; consequently, it is also strictly forbidden to feed pellets (or any other material) into the brazier. Do not place non-heat resistant or inflammable or combustible objects in the vicinity of the appliance: keep them at a suitable distance. Do not place wet clothing to dry on the appliance. When using a clothes horse, keep at a suitable distance. It is strictly prohibited to disconnect the appliance from the electrical power mains while it is in operation.



Caution: do not wet the appliance and do not touch the electrical parts with wet hands. Never vacuum hot ash: this could damage the vacuum device. All the cleaning operations described in this manual must be carried out when the appliance is cold and shut off.



Attention! Warning for Swiss users

Refer to the local cantonal regulations imposed by the Fire Department (Mandatory signalling and safety distances) and the Note concerning installation of heaters issued by the Association of Cantonal Fire Agencies (VKF - AEAI).



ATTENTION: it is mandatory to earth the appliance. If this instruction is not observed serious damage, which is not covered by warranty, will result to the body of the appliance. Have an electrician check the earthing. There must be no electric potential (Volt) between the earth of the generator and the actual earth of the system.

1.5 TRANSPORTATION AND STORAGE

TRANSPORTATION AND HANDLING

The appliance body must always be in a vertical position when handled and exclusively by means of trolleys. Take special care to protect the electric panel and all the fragile parts from mechanical impact which could damage them and their correct functioning.

STORAGE

The appliance must be stored in a humid-free environment and sheltered from the weather; avoid placing the appliance directly on the ground. The Company denies all responsibility for damage caused to wood floors or floors made from any other material. It is inadvisable to store the product for long periods of time.

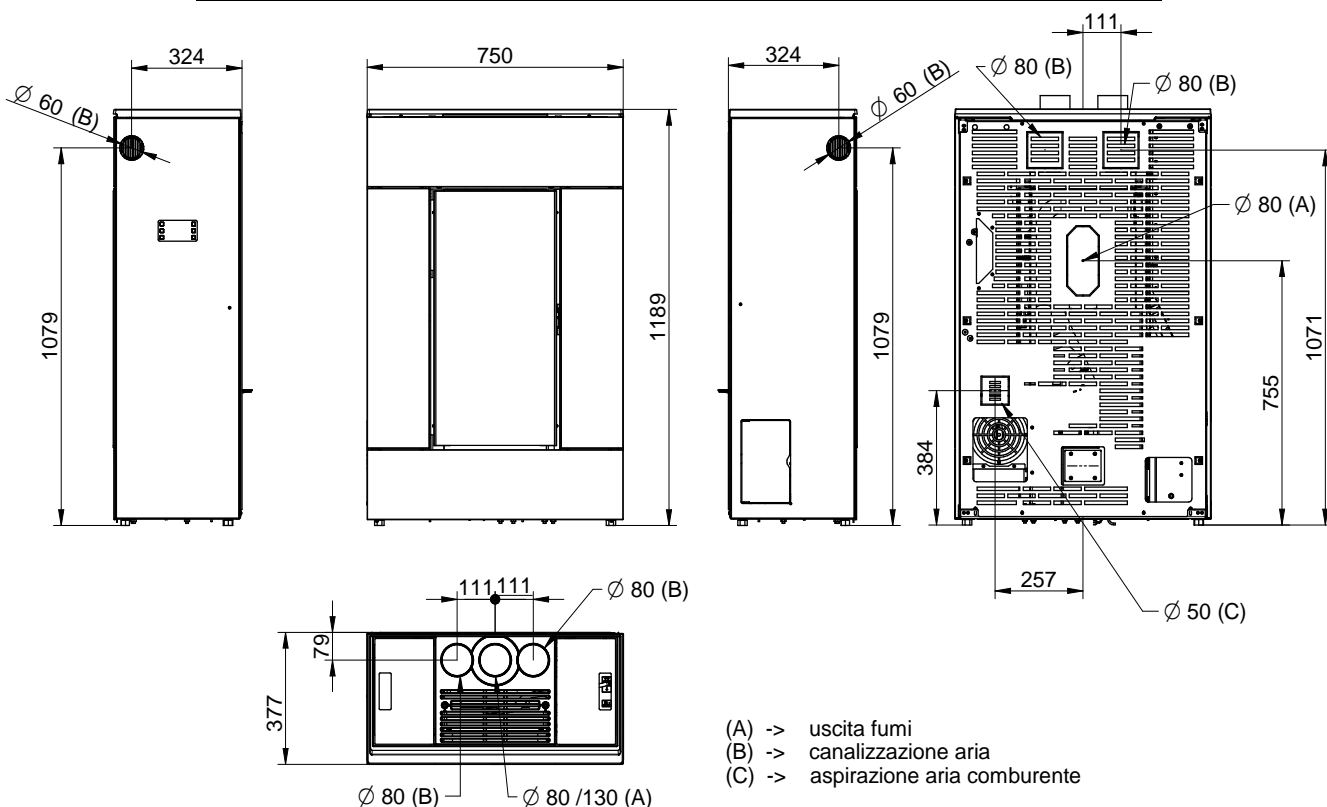
1.6 GUIDELINES FOR CORRECT DISPOSAL OF THE PRODUCT



At the end of the product's useful life it must be disposed of in compliance with applicable regulations and in respect of the environment, not with urban waste. The product must be consigned to designated sorted waste collection centres for the disposal of electronic waste authorised by the local municipal councils. Correct disposal not only helps safeguard the environment but it also promotes recovery and recycling of the materials.

2 – TECHNICAL CHARACTERISTICS

	M.U.	SLIMQUADRO LUMIA
Height	mm	1,189
Depth	mm	377
Width	mm	750
Empty weight without casing	Kg	140
Firebox power (Min. / Max.)*	kW	2.9 / 10.8
Rated power Min. / Max.*	kW	2.8 / 10.2
Consumption (Min. / Max.)*	Kg/h	0.59 / 2.24
Ø smoke exhaust pipe	mm	80
Min. draught at rated power	Pa	12
Min. draught at reduced power	Pa	12
Tank capacity	Kg	16
Average smoke temperature at rated power*	°C	114
Average smoke temperature at reduced power*	°C	49
Smoke flow at rated power*	g/s	5.0
Smoke flow at reduced power*	g/s	3.0
Efficiency at rated power*	%	94.4
Efficiency at reduced power*	%	96.4
CO emissions with 13% O ₂ at rated power*	mg/m ³	62
CO emissions with 13% O ₂ at reduced power*	mg/m ³	331
Power supply voltage and frequency	V / Hz	230 V / 50 Hz
Max electrical consumption	A / W	1.34 / 307
Min electrical consumption	A / W	0.30 / 67
Heatable volume**	m ³	270



Legenda	Key
(A) uscita fumi	(A) smoke outlet
(B) canalizzazione aria	(B) air channelling
(C) aspirazione aria comburente	(C) combustion air intake

* All the data are based on the appliance fuelled with standards UNI EN 14961-2 A1 and A2 type-approved pellets.

** It is important to take into consideration the fact that the heatable volume is greatly influenced by the insulation of the house (energy class of the building) and by the position of the appliance in the planimetry of the house, therefore the indicated values may vary, even significantly.

3 – GENERAL DESCRIPTION

3.1 OPERATING TECHNOLOGY

Your appliance has been built to fully satisfy all your heating and practical requirements. Top-grade components and functions managed with microprocessor technology guarantee high reliability and optimal performance.

3.2 THE PELLET

The appliance is fuelled by pellets, that is, cylinders of compressed sawdust; it his allows you to fully enjoy the heat of the flame without having to manually stoke the combustion.

The pellets have a 6 mm diameter and a length between 10 e 20 mm. They have a max moisture content of 8%; a thermal value of 4000/4500 Kcal/kg and density of 630-640 kg/m³. It must be approved according to UNI EN 14961-2 A1 A2.

It is strictly forbidden to use any pellet type other than that specified above. The use of fuel that does not comply with the above specifications not only immediately invalidates the warranty for the appliance but can also create dangerous situations. Do not use the appliance as an incinerator, at the risk of voiding the warranty.

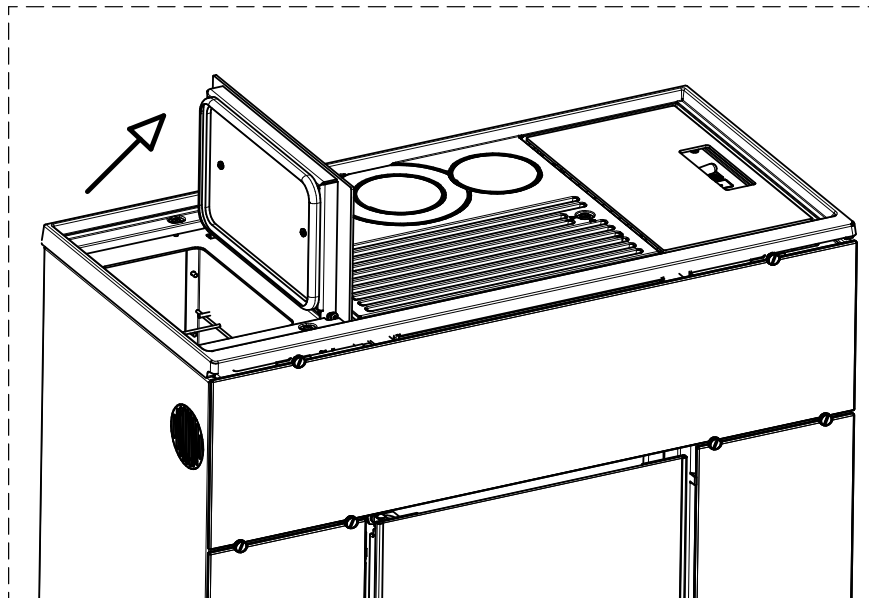
3.3 PELLET REFUELLING

The feedbox is situated in the top part of the appliance. The load capacity specified in the technical data can vary according to the specific weight of the pellets.



Take special care when loading the tank as the screw feeder at its base is in motion. Take care when topping up with fuel as the loading area can get very hot.

ATTENTION: it is normal to find some pellets remaining in the tank even if the stove shuts off because the pellets have run out.



Attention: when filling up the tank, take care not to drop any pellets into the internal parts of the appliance, as, in extreme cases, this could generate live flames.



The manufacturer recommends emptying the tank and vacuuming the screw feeder zone once a month and during the summer period. If the screw feeder can be seen when loading the pellet in the tank (pellet almost exhausted in the tank), the appliance must be turned off, cooled down and the brazier must be cleaned. Do not switch off the appliance by means of the main switch O/I on the power panel or by cutting off the power supply. Then restart the appliance.



Should you notice an excessive stagnation of flue gas in the combustion chamber, move away from the appliance immediately. In particular move away from the glass door of the combustion chamber. The excessive concentration of unburned gases could create an explosion that could break the glass. Do not open the fuel feed door for any reason and do not go near the appliance until said gases have been exhausted. Contact a technical service centre to determine the causes. Do not switch off the appliance by means of the main switch O/I on the power panel or by cutting off the power supply. Do not turn on the appliance for any reason whatsoever following an event such as this.

Only pellets complying with the above specifications are to be loaded into the tank; in no case whatsoever must foreign substances or objects be introduced into the tank, the brazier or any part of the generator.

4 – INSTALLATION

4.1 APPLIANCE LOCATION



Follow the general guidelines set out in paragraph 1.1 to the letter. Keep in mind that the flooring of the room in which the appliance is to be installed must withstand the combined weight of the appliance and the pellets contained in the tank.

ATTENTION: The room where the appliance is installed must be well-ventilated and free from humidity and salty air. A high level of humidity or saltiness in the room can lead to the onset of rust or corrosion which will not be covered by warranty.

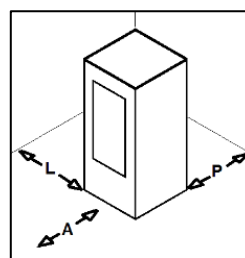


It is mandatory to install the appliance at a minimum distance of 3 cm from the wall behind it to allow the appliance to cool down properly.



ATTENTION: make sure that the wall plaster and finish can resist a continuous operating temperature of at least 100°C. Given the working temperatures of the appliance it is normal for the wall to blacken, particularly if it is a light colour, after a season of operation.

If inflammable materials are located in the vicinity of the appliance (e.g.: matchboarding, furniture, curtains, pictures and paintings, sofas) it is mandatory to comply with the minimum distances illustrated (see figure at right) Installation in the vicinity of heat-sensitive materials is only permitted if suitable insulating and fireproof protection is placed between the object and the appliance (ref. Uni 10683). If the flooring is made of wood or any other combustible material, it is mandatory to install a fireproof floor protector plate between the appliance and the floor. Failure to observe this instruction will immediately invalidate the appliance warranty.



A = 1,000 mm
L = 200 mm
P = 200 mm

The installer must issue a certificate of conformity for the installation which includes the design plans and the following documents:

- Report containing the type of materials utilised.
- Project as defined in Article 5 of Ministerial Decree n° 37 22 January 2008.
- Drawing of the finished installation.
- References to existing partial or previous declarations of conformity (e.g., electrical wiring).
- Copy of the certificate of recognition of the professional technical qualifications.

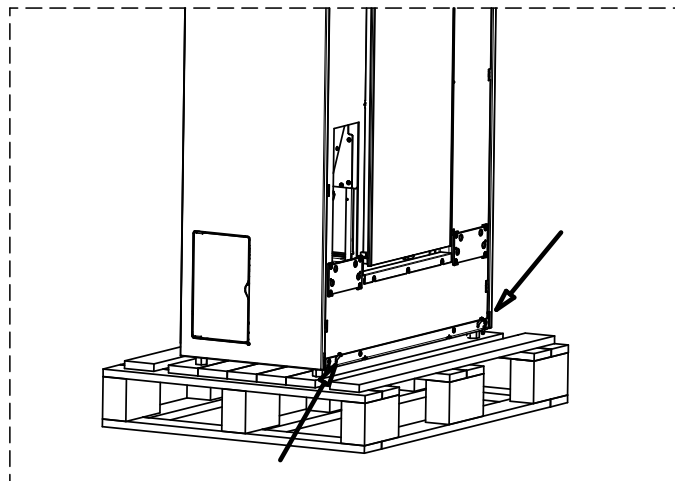
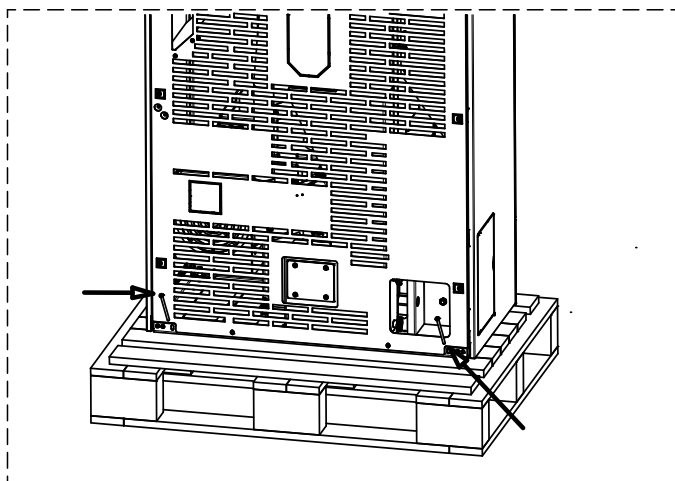


These documents must, by law, be kept together with the use and maintenance booklet. The customer is responsible for verifying, directly or indirectly, that the installation has been carried out to perfection in accordance with relevant regulations in force. Do not install the appliance in unsuitable rooms such as bedrooms, bathrooms, garages and/or lock-ups. It is forbidden to place the appliance in environments with an explosive atmosphere.

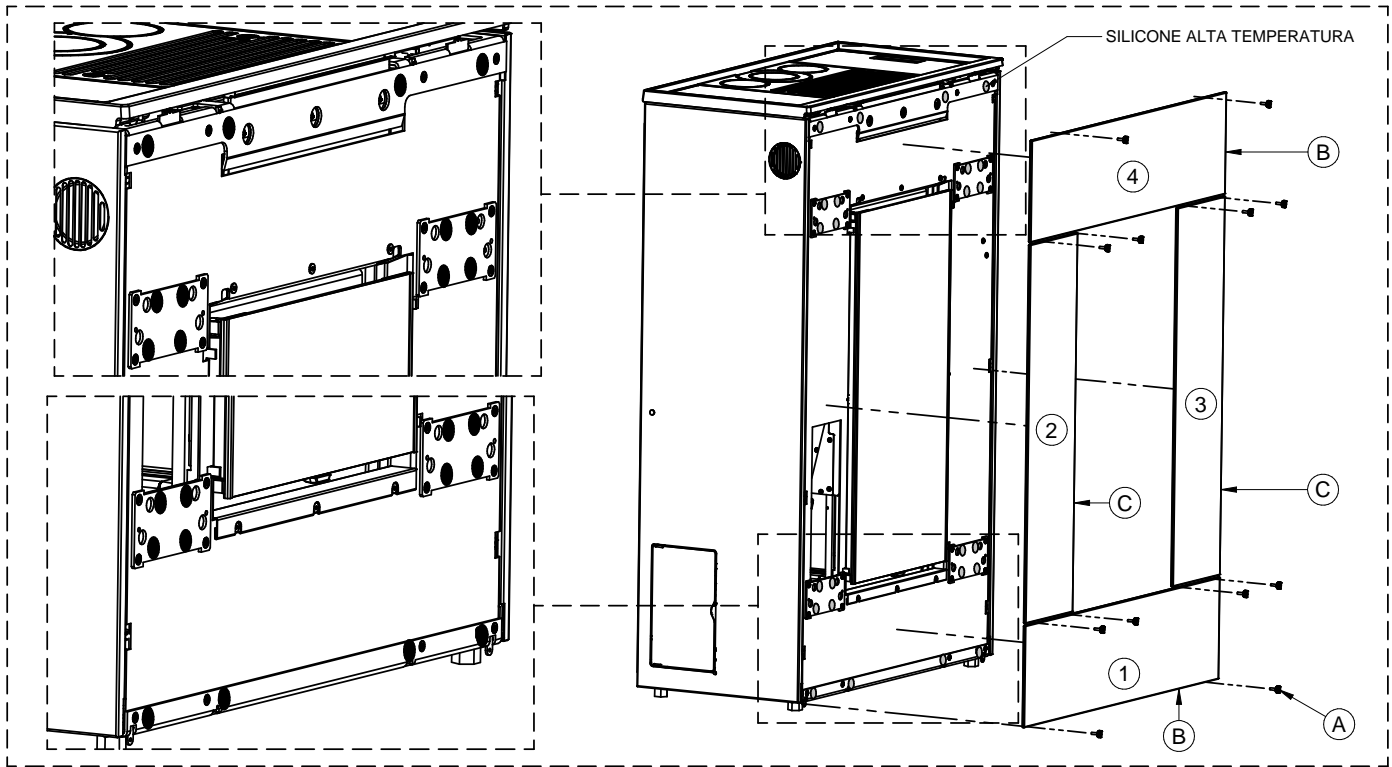
ATTENTION, the appliance is not simply a household appliance: if the instructions set out in this booklet are not followed and/or if installation of the appliance is not executed perfectly and/or the provisions in force are not strictly complied with, dangerous conditions could arise for both objects and persons. It is the user's responsibility to verify the presence, in the room, of a vent necessary for supplying oxygen to the generator.

4.2 UNPACKING THE APPLIANCE

To unpack the appliance, undo the 4 screws that fasten it to the pallet (see figures below).



4.3 GLUING OF CRYSTAL GLASS KIT OR STONEWARE KIT



To glue the glass panes or stoneware tiles, apply silicone to the surface of the front panel as shown in the figure above. Take care not to silicone the intersecting areas of the edges. If applied here the silicone could leak out and ruin the look of the product.

Insert the two screws (A) in their slots in the lower part but do not tighten them all the way. Place the lower glass pane or stoneware tile (1) on top in an inclined position. When the edges of the glass panes or stoneware tiles are touching, carefully place the glass pane or stoneware tile on the silicone-coated surface and apply pressure evenly with both hands over the entire surface, while making sure that the glass pane or stoneware tile remains aligned. Carry out the same procedure for the side glass panes or stoneware tiles (2,3) and lastly the top one (4).

After checking that the glass panes or stoneware tiles are aligned with each other and with the front panel fasten them with the screws (A) supplied in the kit.

Wait at least 24h before removing the screws in order to allow the silicone to dry. If the room temperature drops below 18°C, wait at least 48 hours for the silicone to cure completely. At the end of the process the screws can be discarded in designated plastic disposal bins.



ATTENTION: Use mono-component acetic-reticulation silicone suitable for high temperatures (min. 200°C, max. 300°C).

4.4 CONNECTING THE APPLIANCE TO THE FLUE OUTLET

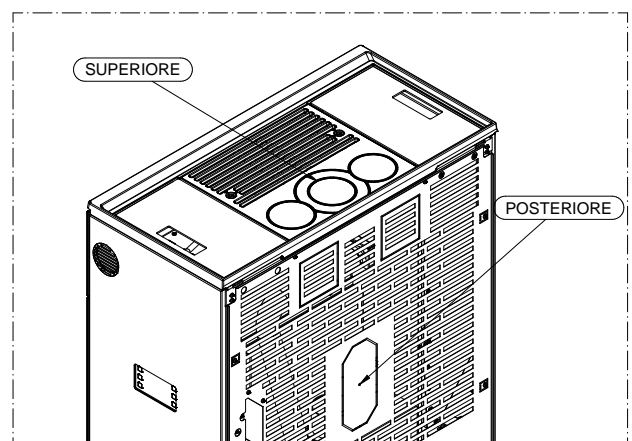
Connection of the appliance to the flue outlet must be carried out in strict compliance with the instructions contained in this booklet (see dedicated chapter).

The appliance is designed for a top or rear smoke outlet (see figure on the side).

Rear venting requires the use of a 90° elbow which is not supplied with the appliance.

In the event of a coaxial exhaust, only the top outlet can be used.

To use the rear smoke outlet, remove the corresponding precut shape. For this operation it is recommended to use a blade for iron.

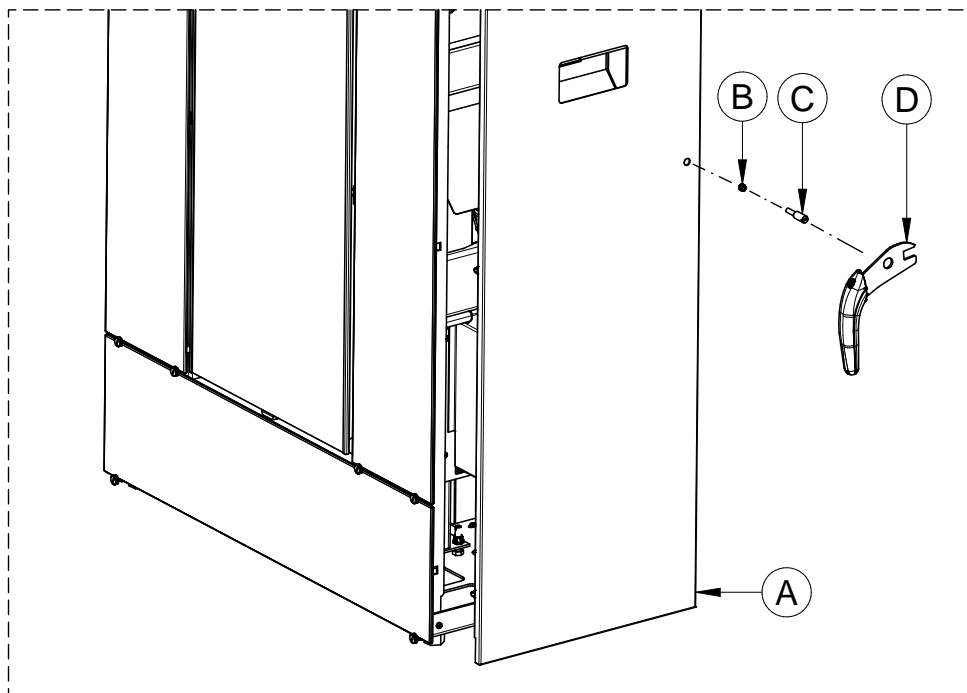


LEGENDA	KEY
SUPERIORE	TOP
POSTERIORE	REAR

4.5 HANDLE

Your appliance is supplied with a handle (D) for opening and closing the firebox door to facilitate cleaning (see dedicated paragraph). The handle is also designed to be used for regulating the channelling flow rate. When not in use, the handle can be stowed on the side of the appliance if the hook provided is attached to the appliance. (See figure below).

To mount the hook, remove the right-side panel (A) by pulling it outwards, position the hook (C) in the hole and fasten it with the nut (B). Lastly, reposition the side panel (A).

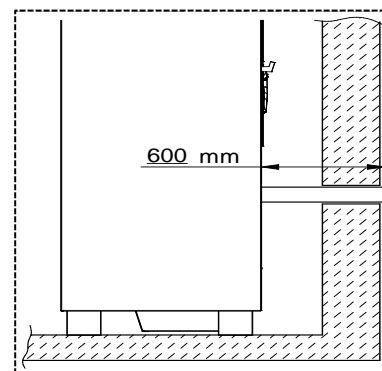


4.6 DRAWING COMBUSTION AIR FROM OUTSIDE

The appliance is fitted with an intake to enable drawing in the combustion air directly from outside the building. Connect the air intake on the appliance to the exterior of the building with suitable piping, capable of resisting high temperatures. The pipe's length must be maximum 600 mm.



ATTENTION: The suction duct must be protected with a grid and never be clogged. The protection grid, if installed, must be inspected and cleaned on a monthly basis. Moreover, a suitable windbreak fitting must be installed in the duct's terminal.



5 – DESCRIPTION OF THE CONTROLS



The appliance, when operating, could be hot to the touch, particularly the door of the combustion chamber: take care when handling the appliance components. Your appliance has obtained the CE marking and has been made to run for at least one hour to check that it functions correctly. The product must not be used by children, by persons with physical or mental impairments, by persons who are not familiar with the instructions for use and maintenance of the product (the instructions are found in this use and maintenance booklet).

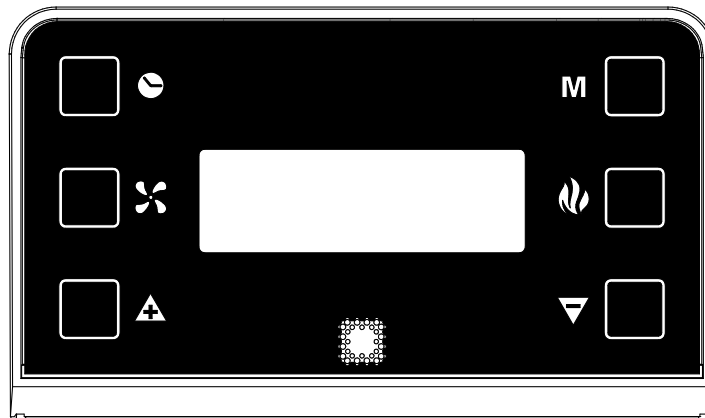


ATTENTION: Before each use make sure that the burner is clean and positioned correctly in its lodging. ATTENTION: the door must always remain shut tight when the appliance is operating. It is strictly forbidden to open the door while the appliance is in operation. While the appliance is in operation the smoke exhaust pipes can reach extremely high temperatures: do not touch them! It is strictly prohibited to use any type of fuel (liquid, solid...) other than pallet to light up the appliance: lighting must occur automatically as intended and described in this installation, use and maintenance booklet; consequently, it is also strictly forbidden to feed pellets (or any other material) into the brazier. Do not place non-heat resistant or inflammable or combustible objects in the vicinity of the appliance: keep them at a suitable distance. Do not place wet clothing to dry on the appliance. When using a clothes horse, keep at a suitable distance. It is strictly prohibited to disconnect the appliance from the electrical power mains during normal operation.



Do not place non-heat resistant or inflammable or combustible objects in the vicinity of the appliance: keep them at a suitable distance. Do not place wet clothing to dry on the appliance. When using a clothes horse, keep at a suitable distance. It is strictly prohibited to disconnect the appliance from the electrical power mains during normal operation.

5.1 DESCRIPTION OF THE CONTROL PANEL



The control panel is managed by a microprocessor. The control buttons and the various displays are described below. The control buttons are:



Clock button

Press this button to activate / deactivate the programming.



Ventilation button

Press this button to set the desired level of ventilation: Ventilation can be turned off or set at six different levels. If activated, it will start up as soon as the temperature inside the stove body rises, whereas it will stop automatically when the stove body has cooled sufficiently.



Flame button

Pressing this button when the appliance is off activates the **START** sequence, sets the power of combustion in the **WORK** mode or shuts off the appliance by activating the **OFF** sequence.



Scroll buttons (only in the Menu)

Press MINUS key to lower the value. Press PLUS key to raise the preset value.



Menu button

Press this button to access the main menu. You can scroll the setting screens shown below, which will be described in detail in the following paragraphs. To access the functions of each subwindow wait a few seconds.

DATE/TIME
CHRONO
LEVEL
THERMOCOMFORT
SHOW CRONO

This button is used to set the day of the week, the hour and minutes.
This button is used to set the programmed on and off sequences.
This button is used to change the rotation speed of the smoke suction unit.
This button is used to activate the connection with the Room Control device (Optional).
This button is used to view the parameters programmed with the CRONO function.

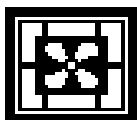
Display

The following information can appear on the display:



Displays the preset **combustion power**, and consequently the pellet consumption, by the number of bars that are lit up around the flame symbol, using this logic:

- One bar lit up:** Minimum combustion power (and therefore with minimum pellet consumption)
- Two bars lit:** Second combustion power
- Three bars lit:** Third combustion power
- Four bars lit:** Fourth combustion power
- Five bars lit up:** Maximum combustion power (and therefore with maximum pellet consumption)
- No bars lit up:** The appliance is OFF



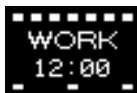
Displays the preset **ventilation power**, and consequently the room fan speed, by the number of bars that are lit up around the fan symbol, using this logic:

- One bar lit up:** Minimum ventilation power
- Two bars lit up:** Second ventilation power
- Three bars lit:** Third ventilation power
- Four bars lit:** Fourth ventilation power
- Five bars lit:** Fifth ventilation power
- Six bars lit:** Maximum ventilation power



Displays the off status of the ventilation, that is, the room fan is disabled. However, if the temperature of the stove body rises, the fan is forcibly activated and increases the ventilation power as the temperature increases, which can be seen by the bars that light up around the symbol. Once it has dropped below a certain threshold the room fan deactivates automatically.

It is mandatory to position the air flow lever on the NATURAL symbol.



Dashes appear along the top of the display, and each dash corresponds to one day of the week set by the user (e.g., 1 corresponds to Monday, 2 corresponds to Tuesday... etc.).

The operating status of the appliance appears below these dashes, that is START, OFF or WORK. And the current time set by the user appears below this word.



The presence in the display of the clock symbol indicates that the CRONO programming has been enabled; if this symbol does not appear it means that the CRONO programming has been disabled.

5.2 DESCRIPTION OF THE POWER PANEL

The components of the power board are described below:

- 1) Electrical power outlet 220V-240V 50Hz
- 2) Main switch 0/I.
- 3) Test light for pellet feed motor.

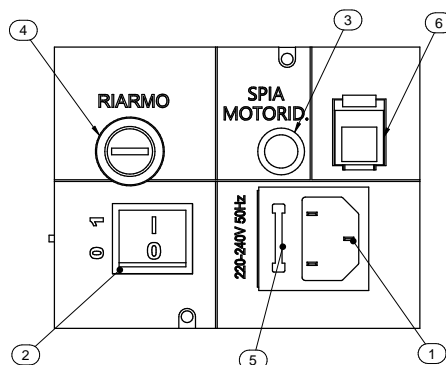
The light comes on simultaneously with the activation of the pellet feed motor.

4) Cap for reset thermostat button.

If the reset thermostat overheats stop the pellet feeder. The appliance must cool down before you can restart the appliance. After verifying and eliminating the causes of the event, undo the protective cap and press the button.

5) Protection fuse 3.15 A.

6) Outlet RJ 45 to connect Wi-Fi module.



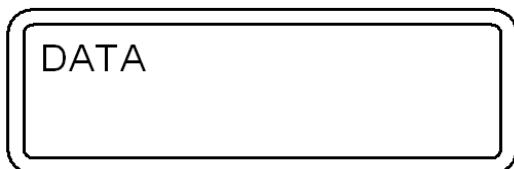
Legenda		Key
RIARMO	RESET	
SPIA MOTORIDUTTORE	GEARMOTOR INDICATOR	

5.3 DATE: SETTING THE DATE AND TIME

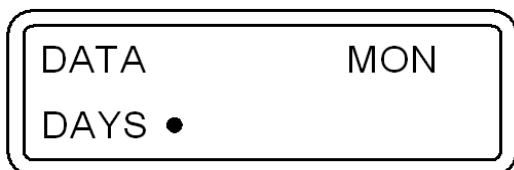
The appliance must be energised and the I/O switch in position "1".
The current date and time can be set using the DATE function.

To set the current time and date proceed as follows:

- 1) Press the **Menu Button** once to view the following screen:

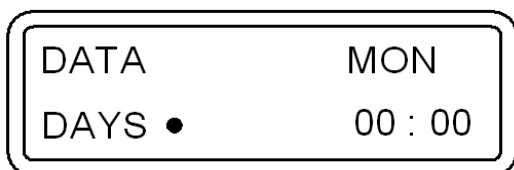


After a few seconds the following screen will appear on the display:



- 2) Now press the **Scroll Buttons** to change the day of the week; each dot corresponds to one day of the week (e.g. 1 corresponds to Monday, 2 correspond to Tuesday, etc...). To confirm the selection of the day of the week press the **Flame Button**.

Once confirmed, the selector shifts to the flashing hour section:



- 3) Press the **Scroll Buttons** to change the hour. Once you have set the hour confirm the value by pressing the **Flame Button**. Once confirmed, the selector shifts to the flashing minutes section. Press the **Scroll Buttons** to set the minutes. Press the **Flame button** to confirm. Once confirmed, the date and time setting screen closes automatically and the initial screen returns to the display.

If you confirm the wrong value simply press the **Menu Button** to exit the box, the initial screen will appear, and repeat the procedure described above.

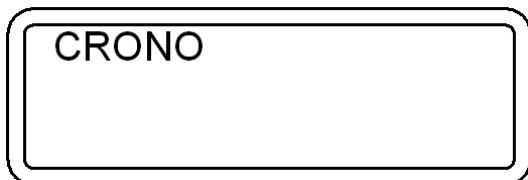
5.4 CHRONO: ON/OFF PROGRAMMING

The appliance must be energised and the I/O switch in position "1".

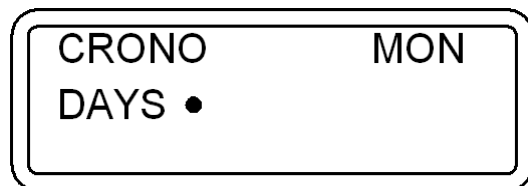
The CRONO function allows you to set the weekly program by setting up to 3 on-off cycles at different times for every day from Monday through to Sunday.

To set a program follow the procedure described below:

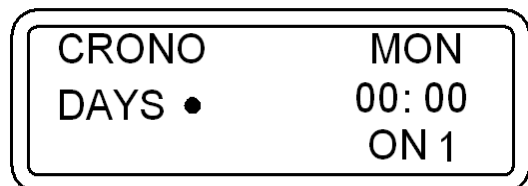
- 1) Press the **Menu Button** twice quickly to view the following screen:



After a few seconds the following screen will appear on the display:



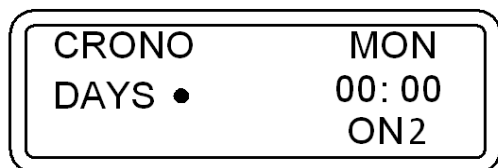
- 2) Press the **Scroll Buttons** to select the day of the week on which you want to set the program. Each dot corresponds to one day of the week (e.g., 1 corresponds to Monday, 2 correspond to Tuesday, etc...). To confirm the day of the week selected for the programming press the **Flame Button**. The following screen will appear with the hour section flashing:



- 3) Now press the **Scroll Buttons** to select the hour at which you wish the appliance to start up automatically (ON1). Once the hour has been set, confirm the value by pressing the **Flame Button**.
Once confirmed, the selector shifts to the flashing minute section of ON1. Press the **Scroll Buttons** to set the minutes for the first start up. Confirm the value by pressing the **Flame Button**.
- 4) Now press the **Scroll Buttons** to select the hour at which you wish the appliance to shut off automatically (OFF1). Once the hour has been set, confirm the value by pressing the **Flame Button**.
Once confirmed, the selector shifts to the flashing minute section of OFF1. Press the **Scroll Buttons** to set the minutes for the first shut off. Confirm the value by pressing the **Flame Button**.

At this point the first ON/OFF cycle for the selected day has been set.

The following screen will appear:



At this point if no further programming is required for that day go to point 5-A.

If, on the other hand, you wish to program a second ON/OFF cycle for that day go to point 5-B.

- 5-A) Press the **Menu Button** to exit the screen, in order to enable you to program the times for the ON/OFF cycles for the other days of the week. In this case repeat the instructions from point 2 up to this paragraph.

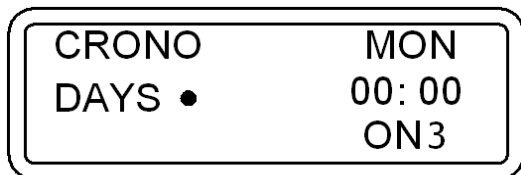
- 5-B) Press the **Scroll Buttons** to select the hour at which you wish the appliance to start up automatically for the second time (ON2). Once the hour has been set, confirm the value by pressing the **Flame Button**.
Once confirmed, the selector shifts to the minute section of ON2. Press the **Scroll Buttons** to set the minutes for the second start up. Confirm the value by pressing the **Flame Button**.

Now press the **Scroll Buttons** to select the hour at which you wish the appliance to shut off automatically (OFF2). Once the hour has been set, confirm the value by pressing the **Flame Button**.

Once confirmed, the selector shifts to the minute section of OFF2. Press the **Scroll Buttons** to set the minutes for the second shut off. Confirm the value by pressing the **Flame Button**.

At this point the second ON/OFF cycle for the selected day has been set.

The following screen will appear:



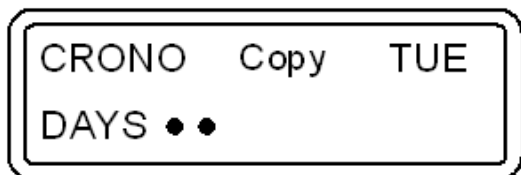
At this point if no further programming is required for that day go to point 6-A.
If, on the other hand, you wish to program a third ON/OFF cycle for that day go to point 6-B.

6-A) Press the **Menu Button** to exit the screen, in order to enable you to program the times for the ON/OFF cycles for the other days of the week. In this case repeat the instructions from point 2 up to this paragraph.

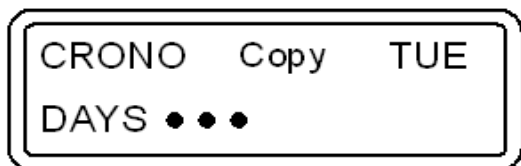
6-B) Press the **Scroll Buttons** to select the hour at which you wish the appliance to start up automatically for the third time (ON3). Once you have set the hour confirm the value by pressing the **Flame Button**.
Once confirmed, the selector shifts to the minute section of ON3. Press the **Scroll Buttons** to set the minutes for the third start up. Confirm the value by pressing the **Flame Button**.
Now press the **Scroll Buttons** to select the hour at which you wish the appliance to shut off automatically (OFF3). Once the hour has been set, confirm the value by pressing the **Flame Button**. Once confirmed, the selector shifts to the minute section of OFF3. Press the **Scroll Buttons** to set the minutes for the third shut off. Confirm the value by pressing the **Flame Button**.

At this point the third and final ON/OFF cycle for the selected day has been set.
Alternatively, if you wish to copy the exact same programming for the ON/OFF cycles set for a particular day to the next day simply press the **Ventilation button**.

For example: if I want to copy all the programmed ON/OFF cycles set for Monday to Tuesday the following screen will appear:



I press the **Ventilation button** once again to copy all the cycles programmed for Tuesday to Wednesday. The following screen will appear:



Using the same logic, we can copy the programmed cycles to the other days.

7) To conclude the programming operations simply press the **Menu Button** to exit the screen, and the initial screen will appear.



ATTENTION: The appliance ignores any ON or OFF command programmed with a value of 00:00. Consequently, if you do not wish to use an ON or OFF time setting simply set a value of **00:00**. The appliance ignores any ON or OFF command if the shut off time is set the same as or before the start up time.



ATTENTION:
In the event of a programmed cycle on always ensure that the brazier is clean and in the correct position. Failure to clean the brazier can reduce and/or affect the life of the spark plug as it would be subjected to high temperatures due to poor cooling. It is recommended to set ON/OFF cycles times lasting no less than 2 hours, in order to save energy and for the proper operation of the appliance.

Enabling the programmed cycles:

Back in the initial screen, to enable the appliance to carry out the ON/OFF cycles as programmed simply press the **Clock Button**. The text CR.ON and the image of a clock will appear on the main screen:



The programmed cycles are now enabled.



When the programmed cycles are enabled (a clock symbol appears on the display) it will not be possible to use an additional chronothermostat (see dedicated paragraph).

Disabling the programmed cycles:

To disable the appliance from carrying out the programmed ON/OFF cycles press the **Clock Button** once again. The text CR.OFF will appear on the display and the clock symbol will disappear. This operation disables the weekly program that has been set by the user but does not delete or reset the times.

Resetting the programmed cycles:

Moreover, it is possible to reset, in other words delete, all the programmed cycles entered by the user by holding down the **Clock Button** in the initial screen for approx. five seconds.



Do not release the button until the text RESET CRONO appears on the screen. Only the appearance of the words RESET CRONO signal that the previously entered programmed cycles have been deleted. When the programmed cycles are active the operating level at start up, that is the combustion power, will be the same level set before the last time the machine was shut off: that is, only if it was a programmed shut off, not if the machine was shut off by means of a manual action. Manual shut down can only be carried out with the programming disabled. If after a manual shut off the programmed cycle re-enables, at the next programmed start up the appliance will be on the first combustion power level.

5.5 LEVEL: OPERATING LEVEL SETTING

The appliance must be energised and the I/O switch in position "I".

Your appliance is delivered with an excellent program installed that favours combustion efficiency; the program is called **LEVEL 1**.

However, if you are using pellets with a higher than normal incidence of residues after combustion in the brazier, it is possible to select alternative levels:

LEVEL 2: is an operating program that accelerates the speed of the smoke suction unit in proportion to all the combustion power levels. This level must be set when the user notices a weak, high and very dark flame. Attention: this modification does not authorise the use of below-standard pellets, or no vacuum in the flue outlet.

If using loosely compressed pellets, you could select:

LEVEL 0: is an operating program that decelerates the speed of the smoke suction unit when using loosely compressed pellets and/or when the flue outlet has a very high vacuum, over 2 mm water column (20 Pascal).

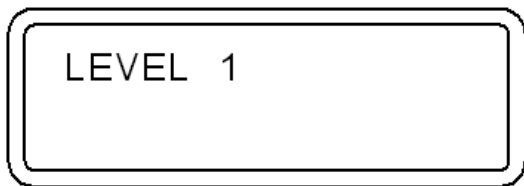
The pellet consumption value remains unchanged regardless of the selected operating level. These variations will only change the rotation of the smoke suction unit in the WORK stage, all the other stages will not undergo any changes.

Select the required Level by acting as follows:

- 1) Press the **Menu Button** three times quickly and the following box will appear:



After a few seconds the following screen will appear on the display:



- 2) To change the operating level, hold down a **Scroll Button** while simultaneously pressing the other **Scroll Button**.



To set the desired level or to exit the screen simply press the **Menu Button**; the initial screen will appear on the display.

The level selection can be made with the appliance **OFF** or **ON**. If the change is made while the appliance is running the difference in the flame will be apparent. It is mandatory to pay particular care when selecting the most appropriate operating cycle for your installation. After the selection of the operating cycle a thorough cleaning of the brazier is mandatory.

5.6 ROOM CONTROL: CONNECTION WITH THE ROOM CONTROL DEVICE (OPTIONAL)

See the specific manual for the ROOM CONTROL device (Optional).

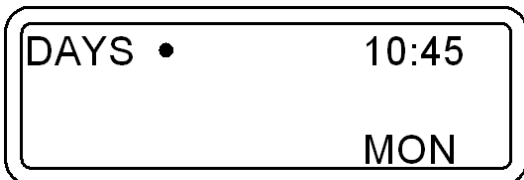
5.7 SHOW CRONO: ON-OFF PROGRAMMING DISPLAY

The appliance must be energised and the I/O switch in position "I".

This function enables you to consult the programmed ON/OFF cycles carried out through the CRONO function.

Proceed as follows to view the programmed ON/OFF cycles:

- 1) Press the **Menu Button** five times quickly until the "SHOW CRONO" screen appears, and after a few seconds the following screen will appear:



- 2) Press the left **Scroll Button** repeatedly to scroll and consult the programmings for all the days of the week.



Attention: the on-off programmings cannot be modified from the "SHOW CRONO" menu. This menu is used only for viewing the programs that have been entered and/or edited through the "CRONO" menu.

6 – USE OF THE APPLIANCE

6.1 DESCRIPTION OF THE OPERATING STAGES

START: has a duration of approx. 20 minutes, during this phase the appliance is programmed to light the flame. The appliance will not accept power variations in the firebox. If the appliance does not start up correctly it could be due to one of the following factors: cleanliness of the generator, smoke exhaust particularly cold, sudden surges and drops in the electric power supply, fuel is too moist or does not comply with the specifications.

WORK: the appliance works according to the combustion and ventilation power set by the user. The spark plug is dead.

OFF: has a duration of approx. 25 minutes. In this phase the appliance is switched off until a new "on" phase is initiated. The aim is to make the pellet embers in the brazier die out and cool the appliance. The room fan and the smoke suction unit continue to operate as required.

6.2 SWITCHING ON THE APPLIANCE



Before using the appliance check that all the movable parts are correctly fitted. Also remove any labels and stickers from the glass to avoid that permanent traces remain on the surfaces. Verify that the electric connections have been made perfectly. Check also that the firebox door is firmly closed.

Then carry out the following operations:

- 1) Power up the appliance and turn the I/O switch to position "I".
- 2) Ensure that the appliance is connected to the smoke exhaust: we recommend against using aluminium tubes and we recommend always using sealing gaskets. Further information is given in paragraph dedicated to the smoke discharge of this use and maintenance booklet.
- 3) Load the pellets into the hopper.
- 4) Press the **Flame Button** to begin the start up phase and the word **START** will appear on the display.

Press the **Flame Button** repeatedly to set the desired combustion power which will only activate at the end of the START cycle which takes roughly 20 minutes.

In this stage any level of combustion power set by the user is ignored to meet the correct power values set by the manufacturer.

Press the **Ventilation button** repeatedly to set the six fan speeds; the fan will only activate once the smoke has reached the preset temperature.

The electrical heater will start to overheat and only after a few minutes the first lot of pellets will start dropping into the brazier. This occurs because the screw feeder has to fill up because it is completely empty. At the first start up the appliance may require the starting sequence to be performed twice for the reason explained above: before starting up the second time empty and vacuum out the brazier.



ATTENTION: During the START sequence the appliance ignores all the combustion power changes that are transmitted to it or set on it. Once this phase has ended the word WORK appears on the display. When the machine is in the running phase the combustion can be changed manually.



ATTENTION: If the appliance does not start up correctly check that the brazier and electric heater are clean. It is very important to ensure that the tube lodging of the electric heater is clean; there must be no deposits or dust. It is recommended to use an efficient ash vacuum cleaner but only when the appliance has cooled down.

6.3 COMBUSTION AND VENTILATION ADJUSTMENTS

Set the combustion power of the stove by acting on the **Flame Button**. The combustion power regulates the pellet drop. The selected combustion power level will appear on the display.

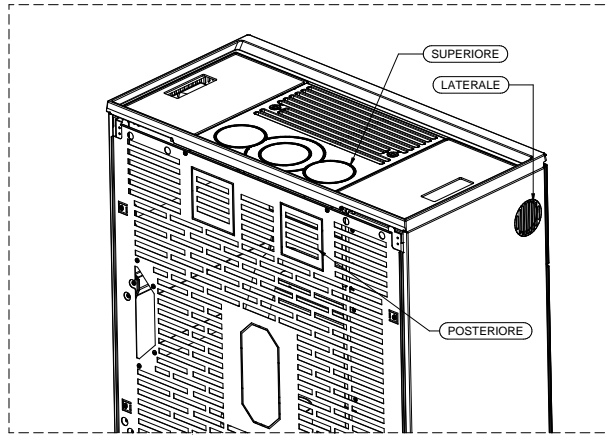
Set the ventilation speed of the stove by acting on the **Ventilation Button**. The ventilation speed regulates the number of fan revolutions. A slight vibration of the stove is quite normal when it is running. The selected ventilation power level will appear on the display.

6.4 CHANNELLING

Prescriptions for correct channelling:

- Use pipes with smooth inner surfaces capable of resisting continuous temperatures higher than 150°C.
- It is prohibited to use plastic or internally corrugated pipes.
- It is prohibited to position sections with a downward slope.
- Reduce the number of bends as much as possible (maximum 4).
- Insulate pipes with mineral wool resistant to at least 150°C.
- Maintain a distance of at least 20 cm between the channelling pipes and any inflammable materials.
- It is prohibited to reduce any pipe sections, even partially, with respect to the outlet diameter.
- It is prohibited to install devices that could completely close off the channelling.

The available channelling outlets are: top, side or rear.

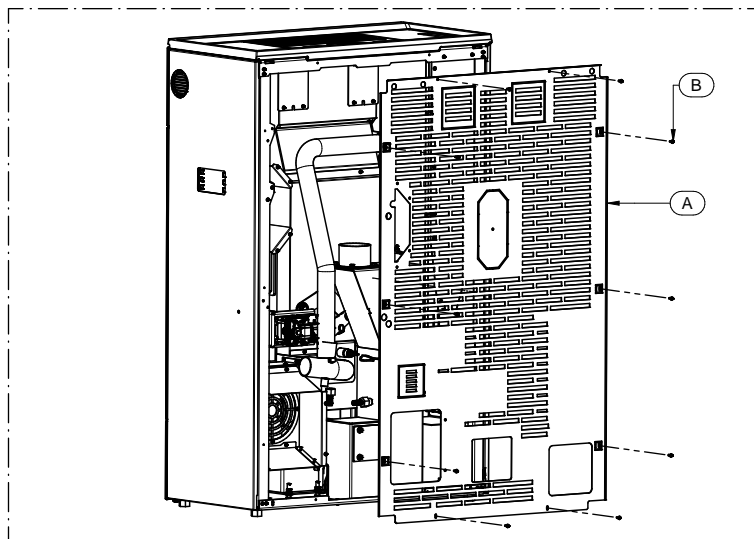


LEGENDA	KEY
SUPERIORE	TOP
POSTERIORE	REAR
LATERALE	SIDE

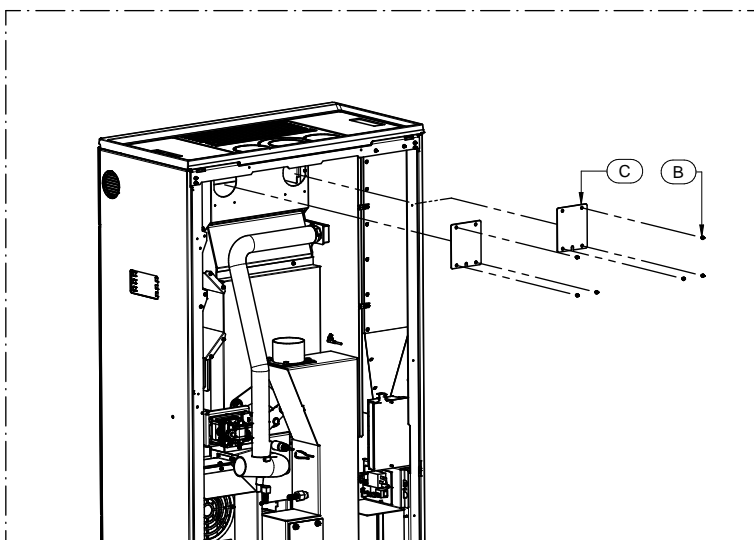
- **Top channelling:**

For top channelling, follow the procedure below, in which case rear channelling will not be possible.

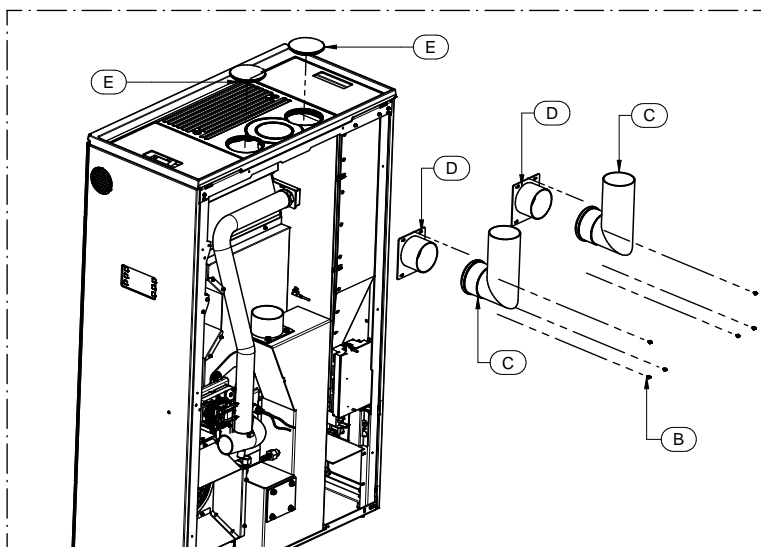
- 1) Undo the screws B and remove the rear panel (A).



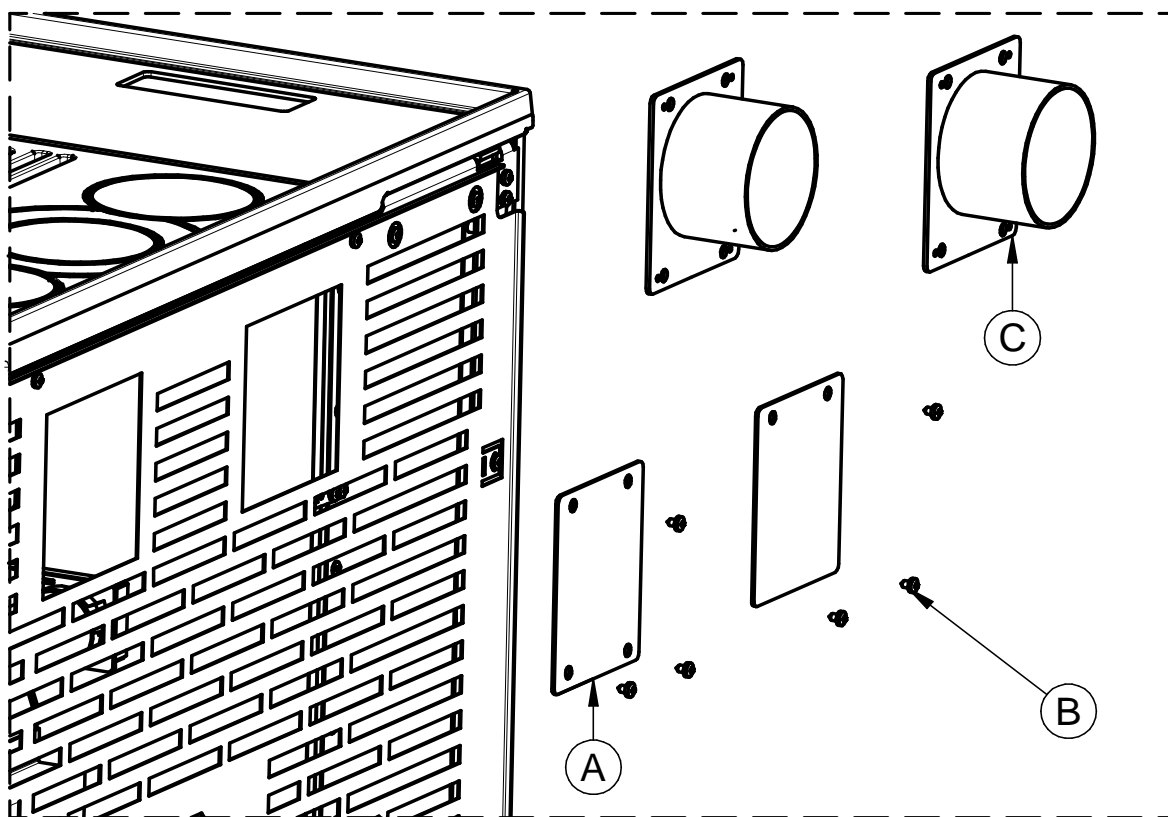
- 2) Remove the two flanges (C) after undoing the screws (B).



- 3) Install 2 single miter bends (optional) in the collars D (supplied). Now fasten the resulting assembly with the screws B removed earlier. Lastly remove the caps E.

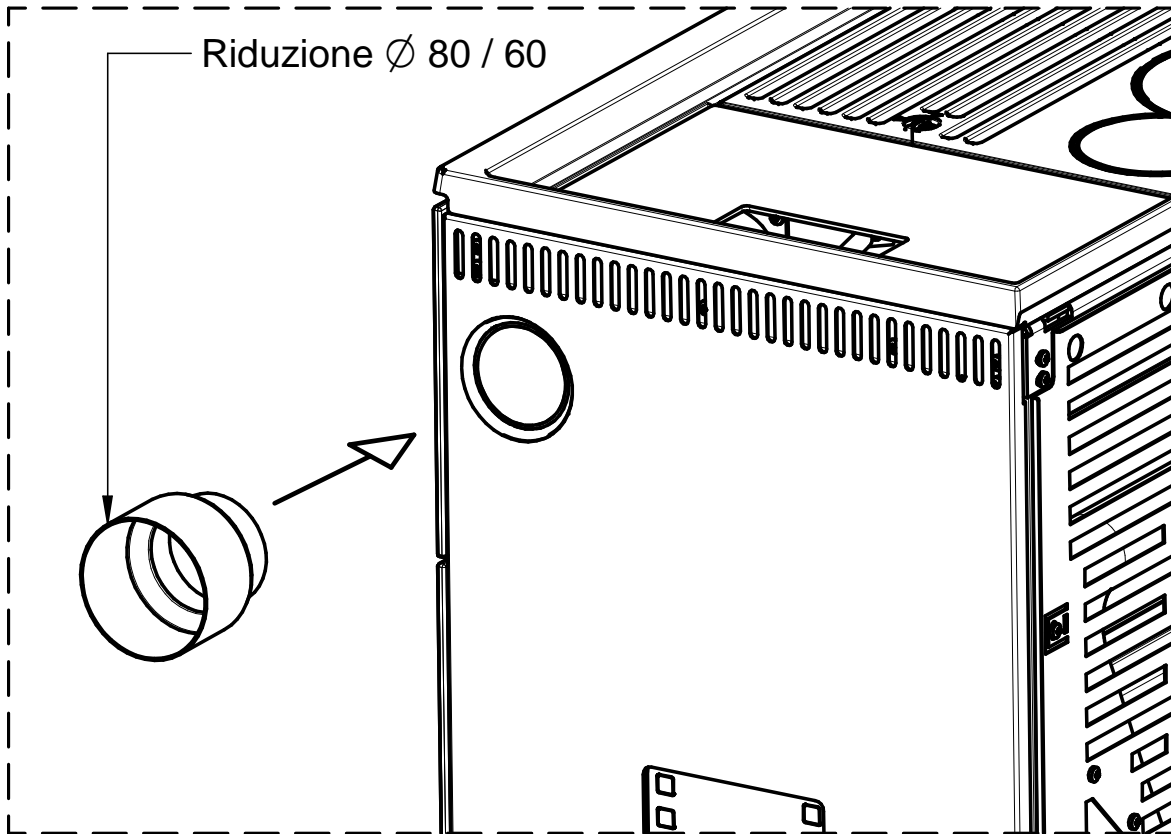


- **Rear channelling:** remove the two caps (A) by loosening the screws (B) and install the supplied collars (C). In this case top channelling will not be possible.



SLIMQUADRO LUMIA

- **Side channelling:** remove the precut side flanges; we recommend using a blade for iron for this operation. Insert the supplied reducers in the tubes.

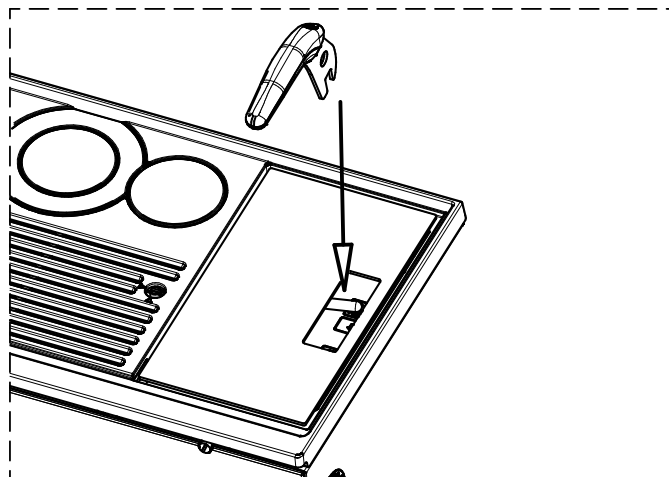


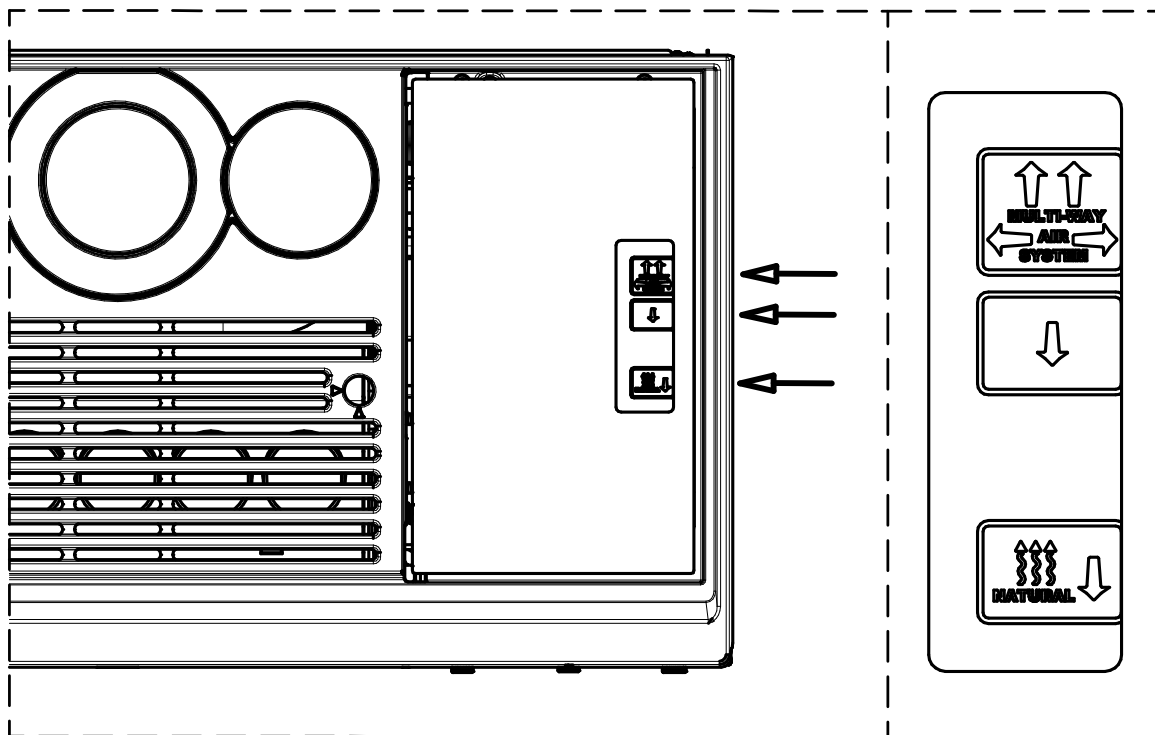
LEGENDA	KEY
Riduzione Ø 80/60	Reducer Ø 80/60

You can choose where to divert the flow of hot air by acting on the upper control lever as shown in the next image:

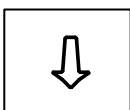


CAUTION: when the heater is functioning the adjustment lever is extremely hot. It is therefore mandatory to use the designated handle.

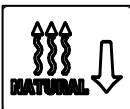




The hot air flow will be directed towards the channelling ducts.

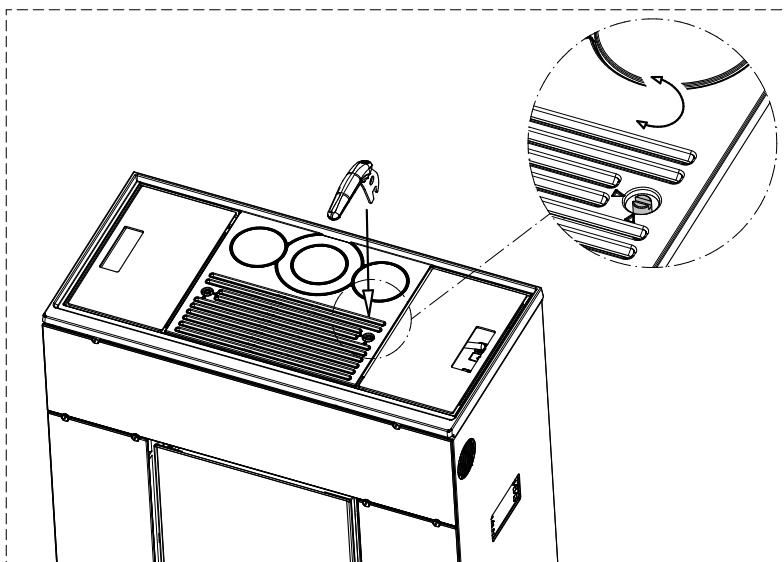


The hot air flow will be directed towards the front.



The hot air flow will be directed upwards and towards the front if the room fan is activated. It will be directed upwards if the room fan of the appliance is switched off.

It is mandatory to set the lever in this way if the NATURAL function is activated.



You can choose to direct the air flow to the side or rear/top ducting by turning the lever shown in the figure above. The air will flow in the direction indicated by the arrow.



CAUTION: if the two rear outlets are not used it is mandatory to position the lever in such a way that all the air flows out the side. Failure to observe this prescription may damage the appliance.

CAUTION: when the heater is functioning the adjustment lever is extremely hot. It is therefore mandatory to use the designated handle.

6.5 SWITCHING OFF THE APPLIANCE

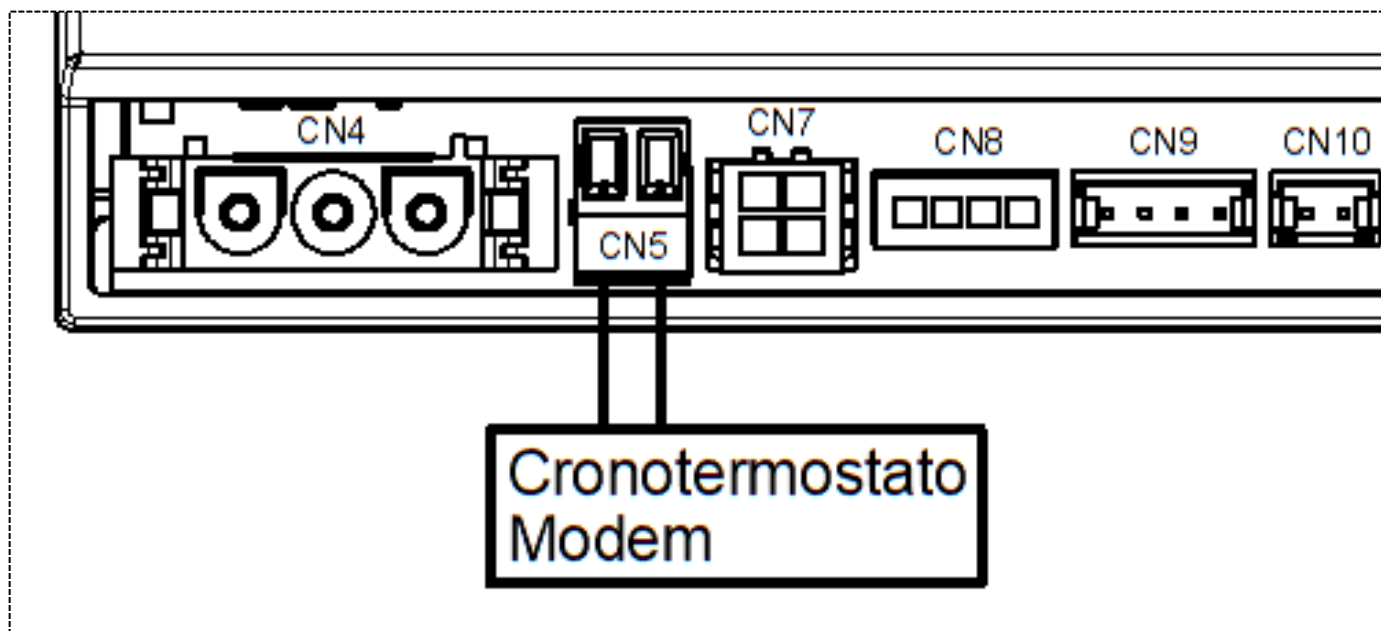
To switch off the appliance press the **Flame Button** until the power bars on the display disappear and the text OFF appears.



DO NOT disconnect the generator from the electric power socket to switch it off. This operation generates smoke that could not be evacuated because of the construction characteristics of the flue outlet. The OFF procedure lasts for approx. 25 minutes.

7 – ADDITIONAL CHRONO-THERMOSTAT

The appliance can be connected to an additional chrono-thermostat by connecting it directly to the terminals of terminal block CN5 on the board, as shown in the figures below.



This operation must be exclusively performed by qualified professional staff, as set forth by Decree no. 37 of 22nd January 2008 and applicable laws on the subject. Before performing said task, make sure the power supply cable is disconnected from the electrical power socket.



The contacts are defined as "FREE" contacts and they must never be supplied with voltage. It is strictly prohibited to supply any tension whatsoever to the above-mentioned terminals as this would permanently damage the control board; such damage is not covered by WARRANTY.

Using this output when the chrono-thermostat contact closes the START cycle begins, whereas when the contact opens the OFF cycle begins. The operating level at start up (combustion power - fan speed) is the same as the level used before the last time the appliance shut down.

ATTENTION: when using the chrono-thermostat program up to a maximum of 3 on-off daily cycles without setting the desired temperature or set it at the highest possible value for the chrono-thermostat.

At the end of the preset time the contact of the chrono-thermostat will open and perform the appliance shut down process. Similarly at the preset startup time the contact will close and initiate the START cycle. The chrono-thermostat can be used to program start up and shut down times and dates for the appliance. It is therefore possible to program a momentary shut down of the appliance according to the preset time.

Do not shut down the appliance according to the room temperature.

If the external chrono-thermostat is used the "CHRONO" function cannot be used.



ATTENTION: The manufacturer denies all responsibility for the life of the electrical heater if subjected to excessive start ups. It is recommended not to set the desired room temperature or to set it at the highest possible value for the chrono-thermostat in order to avert this danger.

If you use the Room Control device in Switch Mode you cannot use the additional chrono-thermostat.



ATTENTION: Use N.O. (normally open) contacts for the connection to the chrono-thermostat. In the event of connections to the chrono-thermostat Thermorossi S.p.a. shall not be held responsible for the appliance not starting up, smoke leaks or breakage of the lighting component. In the event of a programmed cycle on always ensure that the brazier is clean and seated correctly in its lodging. A maximum of 3 on-off cycles per day are permitted. The chrono-thermostat must have a thermal hysteresis that is at least of 2°C.

8 – CLEANING AND MAINTENANCE

8.1 FOREWORD



Before commencing any operation disconnect the appliance from the electric power outlet. Your pellet appliance needs maintenance; it requires a few simple, basic but frequent control and general cleaning operations. This will guarantee safe and regular operation and optimal output at all times. If the product is unused for a prolonged period of time it is mandatory to inspect the smoke channel and outlet to ensure that there are no obstructions before use. It is important to carefully follow the instructions set out below: failure to observe these instructions could cause serious damage to the product, to the system, to objects and to persons using the generator. Failure to observe cleaning and maintenance instructions will immediately void the warranty.



Caution: do not wet the appliance and do not touch the electrical parts with wet hands. Never vacuum hot ash: this could damage the vacuum device. All the cleaning operations described in this manual must be carried out when the appliance is cold.

8.2 CLEANING AND MAINTAINING THE APPLIANCE



The cleaning and maintenance operations can be carried out by the user.

EVERY DAY:

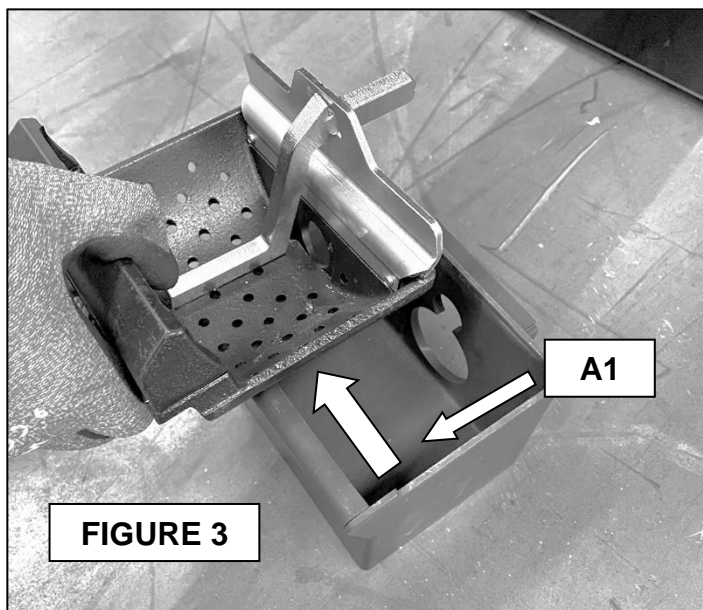
- Remove the ash pan and the brazier assembly by pulling them outwards. Clean out all the combustion residues from the brazier and the compartment A1 (Figures 1, 2 and 3) then return the brazier and the Pellet Power to their positions. To open and close the door use the special handle provided. To guarantee correct operation of the appliance, carefully clean the area around the spark plug.

ATTENTION: make sure, before every start up, that the brazier is clean and in the correct position. If necessary clean the burner more thoroughly using an ash vacuum device.

EVERY 3 DAYS:

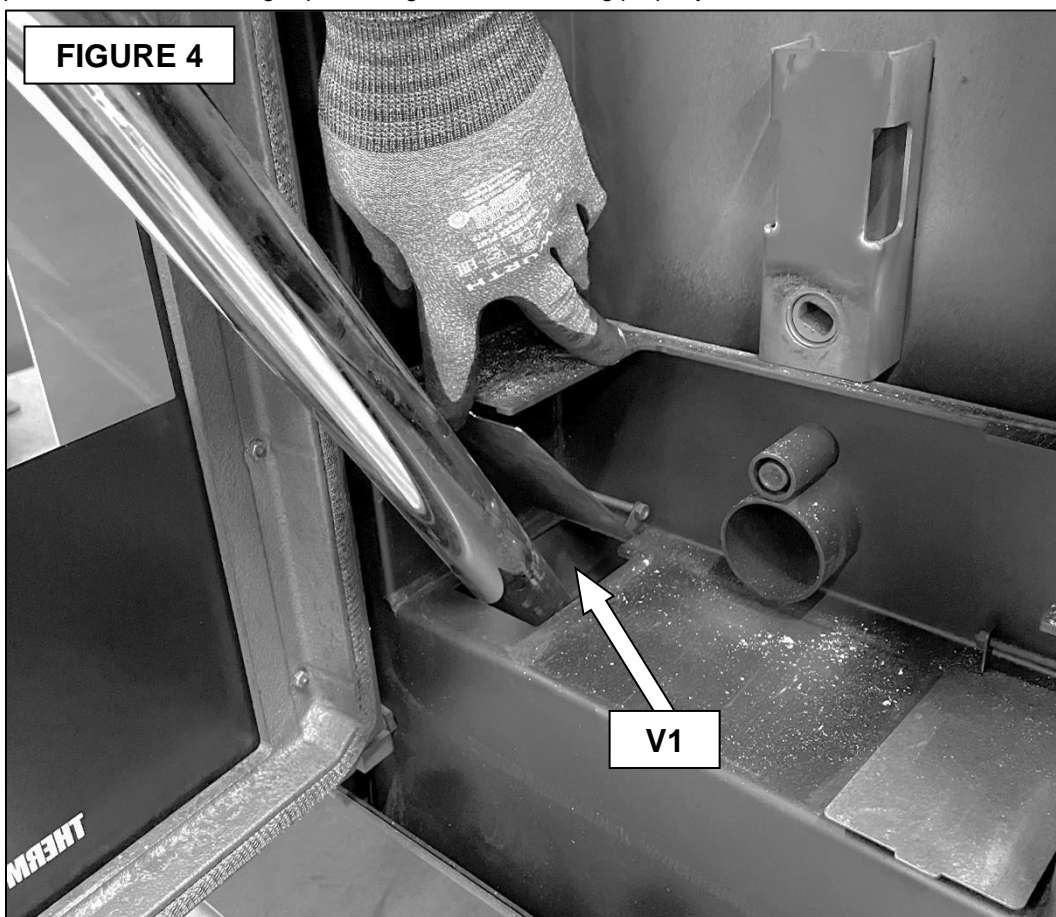
- Check that the holes of the burner and the heater lodging channels are completely sediment-free. If necessary, vacuum and clean (Figure 1, 2 and 3). Remove, if present, all silica agglomerates; they indicate poor quality fuel.
- Empty the ash from the pan (Figure 1)

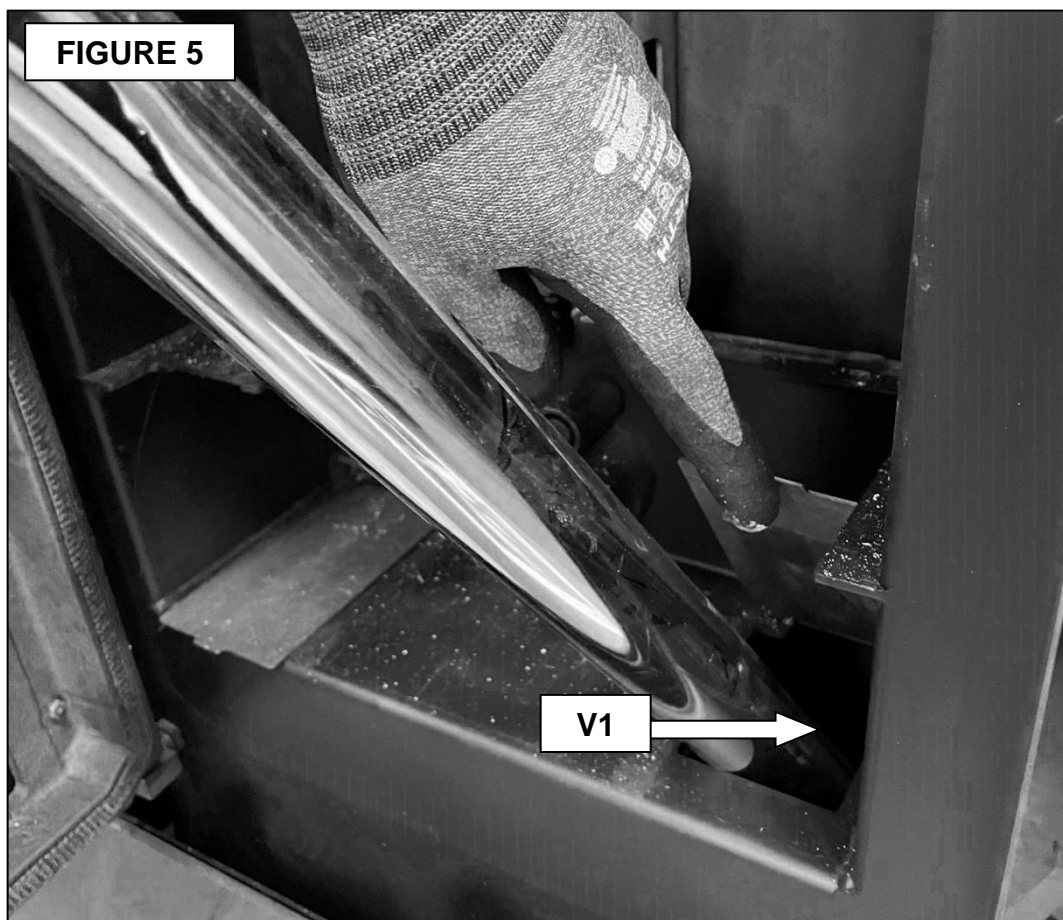




EVERY WEEK:

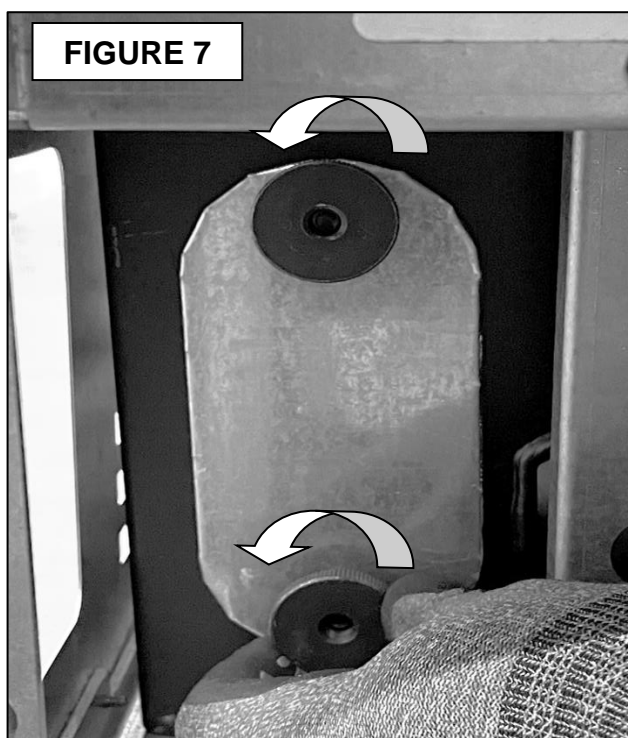
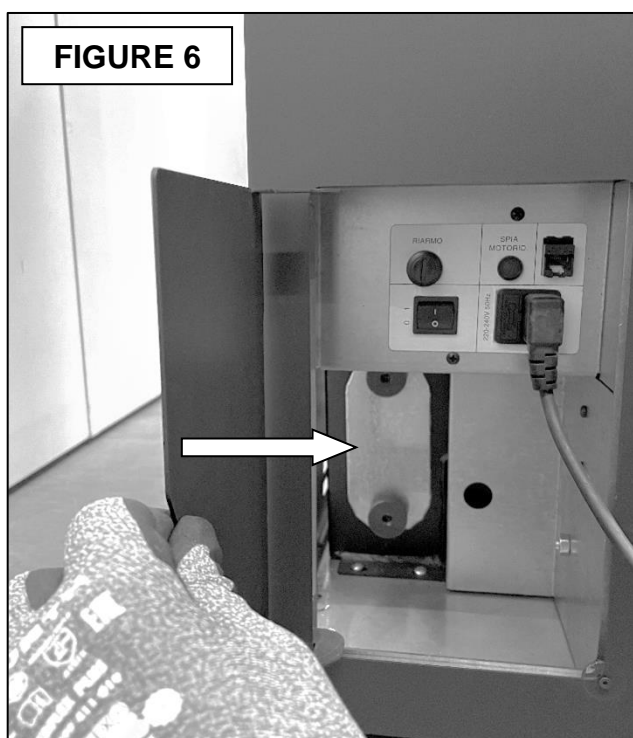
- Inspect and clean the openings indicated as V1 (Figures 4, 5). To access them open the door, remove the ash pan and lift the flaps. On completion check that nothing is preventing them from closing properly.

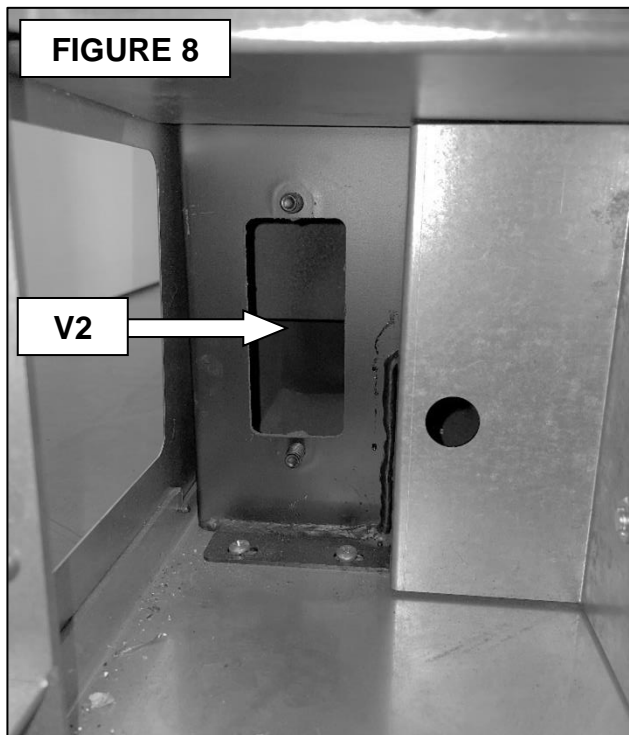




EVERY 2 WEEKS:

- Inspect and clean the internal smoke exhaust “TEE” V2 (Figure 8). To gain access open the side door (Figure 6) and unscrew the 2 knobs (Figure 7). Before reassembling the door, check the condition of the seal, and if worn replace it.





MONTHLY:

- Remove the pellet chute (Figure 9) and remove the back of the combustion chamber (Figure 10) by lifting it and rotating it towards the outside of the appliance. Thoroughly clean the tubes and the smoke passages (Figure 11).
- Check that the smoke exhaust is free from ash deposits, particularly in the initial sections.
- Vacuum the ash deposited on the bottom of the tank (when the tank is empty). To perform this operation, use a reducer connected to your vacuum cleaner.





EVERY 3 MONTHS:

- Clean the smoke channels and check that they are airtight.

TWICE A YEAR:

- Clean the flue outlet and inspect the smoke exhaust pipe for airtightness.

AT THE END OF THE WINTER SEASON OR WHENEVER NECESSARY

Do an in-depth cleaning of the appliance firebox, with brushes and a vacuum cleaner. Using a vacuum device simplifies cleaning out the ashes. Use a damp cloth or a scrunched up piece of newspaper, dampened and rolled in the ash, to wipe the glass until it is perfectly clean. Do not clean the glass while the appliance is operating. The glass retains an acceptable degree of cleanliness if all the cleaning instructions contained in this manual are adhered to.

The front profiles, the glass elements and the casing must be cleaned, when the appliance has cooled, with a special soft microfibre cloth for delicate surfaces such as lenses, glasses, monitors, etc..., and water.

ATTENTION: a daily deposit of soot and combustion residues on the glass is quite normal.

It is normal for the ash to fall to the floor when the door is opened. ATTENTION: after cleaning it is mandatory to carefully check that the combustion chamber door is firmly closed and airtight. ATTENTION: the smoke channel, the flue outlet and the generator must be cleaned in accordance with the specifications described above and use of inflammable products is strictly forbidden: Failure to carry out the necessary maintenance or if only partial maintenance is carried out will affect the correct functioning of the appliance. Any problems resulting from total or partial lack of maintenance will immediately void the warranty.

ATTENTION: if the appliance remains inactive (not used for over a month) the appliance, the smoke discharge tube and the flue outlet must be thoroughly cleaned and checked for any possible obstructions (e.g., birds or wasp nests) before restarting.

9 – SMOKE DISCHARGE TUBE AND VENTILATION OF THE ROOMS

9.1 FOREWORD



Due to the frequent accidents caused by poor functioning of flue outlets installed in private dwellings, we have prepared the following paragraph to assist the installer in his inspection of the parts concerned with eliminating the gases produced by combustion.

The flue outlet must comply with UNI 10683 and be built in accordance with the requirements set out in Italian Decree No. 37 of 22 January 2008, respecting the reference values expressed in the standard; in particular, the flue outlet must conform to fire prevention standards (it must therefore be capable of withstanding a possible fire action: in such a situation contact the fire department immediately). This chapter is not intended to replace UNI 7129, UNI 10683 and EN 14785 standards to which it refers. The qualified installer must in any case be fully aware of these standards and any amending versions. *It is important to carefully follow the instructions set out below: failure to observe these instructions could cause serious damage to the product, to the system, to objects and to persons using the generator.*



9.2 ROOM VENTILATION



ATTENTION: the presence of extraction fans or similar appliances, if operating in the same room or space in which the product is installed, could cause problems for the correct operation of the product.

ATTENTION: do not obstruct the vents or the air inlets on the appliance.

The room where the appliance is installed must have a good air flow to guarantee air for the appliance for the combustion process and for ventilation of the room. The natural air flow must take place directly through permanent openings on the outer walls or through single or multiple ventilation ducting (paragraph 9.2.1).

The ventilating air must come from outside and if possible, away from sources of pollution. The openings in the walls must comply with the following conditions:

- have an unobstructed section of at least 6 cm² for each Kw of installed thermal power, with a minimum limit of 100cm²;
- be made in such a way that the vent openings, both on the inside and outside of the wall, cannot be obstructed;
- be protected with grills or similar systems that do not reduce the opening section indicated above;
- be situated at a height near floor level and they must not obstruct the correct operation of the combustion product discharge devices; if this position is not possible the section of the ventilation openings must be enlarged by at least 50%.

9.2.1 VENTILATION FROM ADJOINING ROOMS

The air flow can also be obtained from an adjoining room as long as:

- the adjoining room is equipped with direct ventilation in compliance with the paragraphs described above;
- only appliances connected to the exhaust pipe are installed in the room that is ventilated;
- the adjoining room is not used as a bedroom or a common area of the building;
- the adjacent room is not a room with a fire hazard, such as storage sheds, garages, combustible material store rooms, etc...;
- the adjoining room does not become a vacuum compared to the room to be ventilated due to a reverse draught effect (the reverse draught can be caused by the presence in the room of either another heating appliance running on any type of fuel, a fireplace, or any suction device, which have not been provided with an air intake)
- the air flow from the adjoining room to the room to be ventilated is unobstructed through the permanent apertures having an overall net section of no less than that indicated above. These apertures can be obtained by enlarging the space between the door and the floor.

9.3 SMOKE OUTLET



The smoke channel, the exhaust pipe, chimney and flue outlet (defined as the system for the evacuation of combustion products), are parts of the heating system and they must comply with the legislative requirements of the Ministerial Decree DM 37/08 (ex Italian Law 46/90) and to the applicable specific installation regulations, according to the type of fuel. Fireplaces, stoves and barbecues must not be installed in locations where gas appliances type A and type B are present and operating (for the classification see UNI 10642 and UNI 7129). The connection between the appliance and the flue outlet must only receive exhaust from one heat generator.

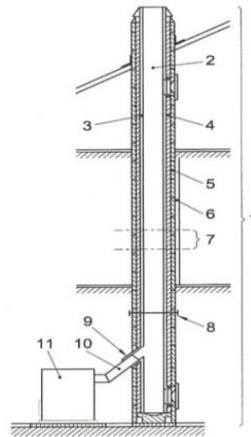
9.3.1 CHIMNEY TYPES

The following types of chimneys, constructed as described, are possible:

- System: Chimney installed using a combination of compatible components (flue liner, insulation, outer casing etc...), constructed or specified by a single manufacturer and CE certified in accordance with the applicable standard;
- Composite chimney: Chimney installed or constructed on site using a combination of compatible components such as flue liner (wall directly in contact with the smoke), and possibly also insulation and outer casing (wall) that may be supplied by different manufacturers or by the same manufacturer.
- Relining: operation involving the installation of a specific pipe in an existing shaft (even if newly constructed) made of non-combustible materials, free from obstructions and for single use.

9.3.2 FLUE OUTLET / FLUE SYSTEM COMPONENTS

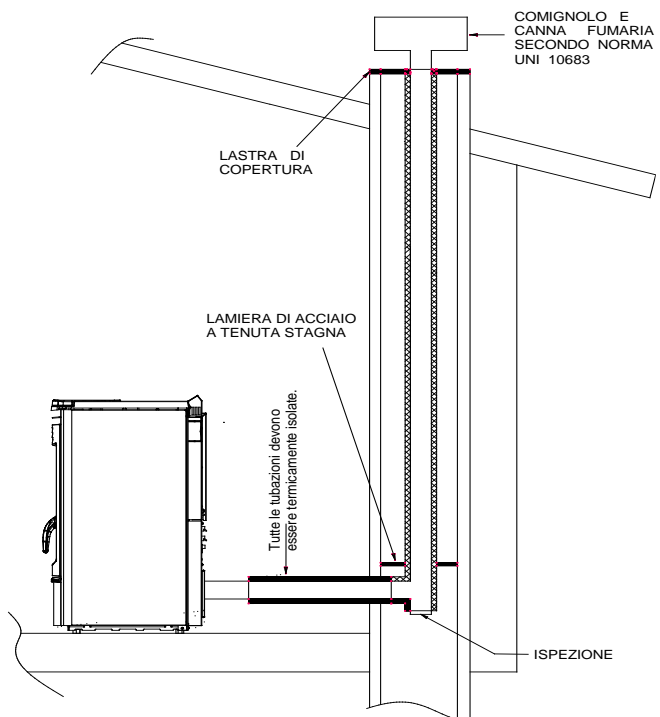
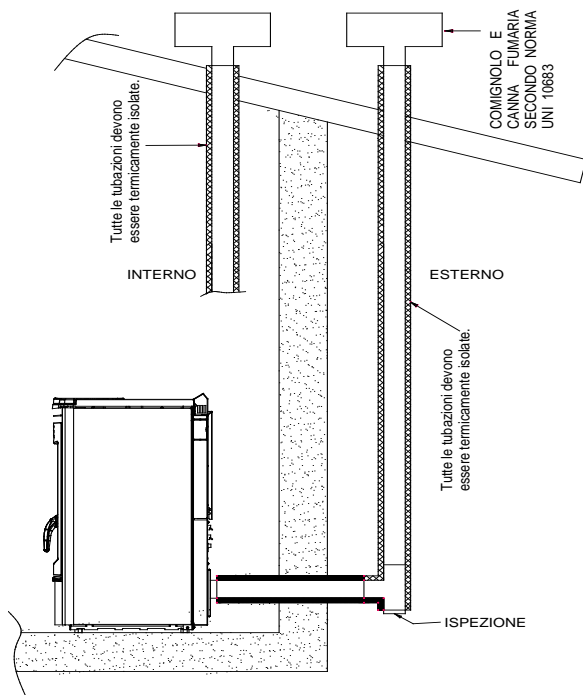
- 1 Chimney
- 2 Flow path
- 3 Smoke discharge tube
- 4 Thermal insulation
- 5 External wall
- 6 Outer lining
- 7 Flue outlet section
- 8 Multiwall chimney
- 9 Connector
- 10 Flue pipe
- 11 Heat generator



Every chimney must have minimum number of components as laid down by standard UNI EN 1443 which are also indicated in the figure on the left.



Wall outlets, that is outlets installed on the outer front wall without the use of a chimney/flue outlet /flue pipe to convey the combustion products to the roof, are strictly prohibited.



9.3.3 CONTROLS PRIOR TO INSTALLING THE APPLIANCE

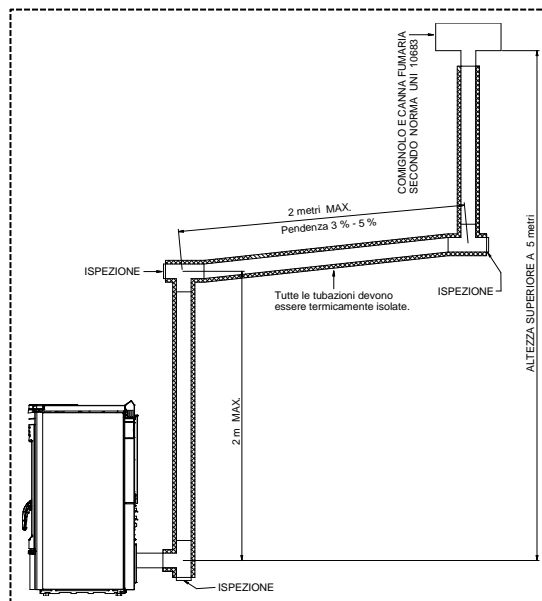
The user must possess a certificate of conformance for the flue outlet (Ministerial Decree 22 January 2008, no. 37).

The flue outlet must be built in compliance with UNI 10683.

The smoke exhaust shown in the following figures is the best solution to ensure the discharge of smoke even when the fan is not operational, such as for example if there is an electrical power failure. Failure to observe these requirements could result in stagnation of the gases in the firebox and could explode when discharged to the environment. The figures illustrate the best solution for discharging the smoke out through the roof or into the flue outlet. If you prefer to exhaust the smoke from the roof insert a union tee with inspection cap, connecting brackets suitable for the height of the flue outlet, flashing that crosses the roof and chimney cap to protect against bad weather conditions.

If you decide to use the classic masonry exhaust provide a union tee with inspection cap and suitable supporting brackets.

If the flue outlet is too big it is necessary to insert a stainless steel or porcelain-coated steel tube with a diameter not exceeding 150mm. Seal area where the inlet and outlet part of the smoke exhaust meets the wall.



LEGENDA	KEY
COMIGNOLO E CANNA FUMARIA SECONDO NORMA UNI 10683	CHIMNEY CAP AND FLUE OUTLET ACCORDING TO UNI 10683 STANDARD
Tutte le tubazioni devono essere termicamente isolate	All the pipes must be thermally insulated
ISPEZIONE	INSPECTION
INTERNO	INTERNAL
ESTERNO	EXTERNAL
LAMIERA DI COPERTURA	COVER SLAB
LAMIERA DI ACCIAIO A TENUTA STAGNA	WATERTIGHT STEEL SHEET
2 metri MAX	2 metres MAX
Pendenza 3% - 5%	Slope 3-5%
ALTEZZA SUPERIORE A 5 m	HEIGHT MORE THAN 5 m

It is strictly forbidden to apply mesh to the end of the outlet tube, as it could cause the appliance to malfunction. If the smoke tube is installed in a fixed position, it is advisable to provide inspection openings for clean-out purposes especially in the horizontal sections. See the diagram. These openings are essential to allow for the removal of ash and unburned products which tend to accumulate along the discharge path. The appliance functions with the combustion chamber in a vacuum, while the discharge of smoke to the flue outlet has a slight pressure, consequently it is imperative to ensure that the discharge system is hermetically sealed. The smoke discharge tube must be made from suitable materials such as for example: porcelain-coated steel tubes, and the various fittings sealed with red silicone (resistant to 350°C). The outer casing of the tube must be made with insulating material (mineral wool, ceramic fiber) or use pre-insulated tubing.

THE FLUE OUTLET MUST BE USED ONLY FOR THE APPLIANCE.

It must be possible to inspect and remove all the smoke tube sections for clean-out purposes.

ATTENTION: if the flue outlet is not sufficiently insulated and /or if it is too long it could generate condensation. It is mandatory to provide a condensation drain near the smoke outlet of the appliance. The appliance must always and only be installed in a single flue outlet system dedicated exclusively to the appliance.

If the generator is connected to a non-compliant flue system the appliance could rapidly deteriorate due to an abnormal, continuous overheating: in this case the damaged parts will not be covered by warranty.

IF THE CHIMNEY CATCHES FIRE DO NOT HESITATE TO CALL THE FIRE BRIGADE IMMEDIATELY.



10 – ALARMS

The appliance is programmed to communicate 7 alarms.



ATTENTION: The appearance of one of the alarms described below, does not necessarily imply a defect in the product, but simply Thermorossi S.p.A.'s intention to inform the user of the need for corrective actions in order to guarantee maximum safety, greater reliability and high performance of the appliance.

The alarms are listed below:



This message appears when during the **WORK** stage the temperature of the smoke drops below a preset threshold: this means that the appliance is shutting off due to lack of pellets. To reset the alarm the power to the appliance must be switched off then on by turning the switch 0-1 located on the power panel. **It is mandatory to empty and clean the brazier**, and then to fill the pellet tank before repeating the START phase. It could be that the screw feeder is completely empty, so the start up sequence may have to be carried out twice.



This appears if, after the **START** sequence, the smoke has not reached a suitable temperature. To reset the alarm the power to the appliance must be switched off then on by turning the switch 0-1 located on the power panel.

It is mandatory to empty and clean the brazier before repeating the START phase: pellets emptied from the brazier must not be fed into the tank.



This occurs when the smoke outlet is partially blocked. To reset the alarm the power to the appliance must be switched off then on by turning the switch 0-1 located on the power panel.

Before restarting the appliance check for any irregularities such as blocked flue outlet, open firebox door, very dirty appliance.

Do not start up the appliance until the problem has been identified and solved

It is mandatory to empty and clean the brazier before repeating the START phase: pellets emptied from the brazier must not be fed into the tank.



This appears when the appliance overheats. **After having verified and solved** the causes for the overtemperature, unscrew the plastic cover of the reset thermostat located on the power/control panel and press the button (the appliance can only be reset when its temperature has dropped considerably). To **reset the alarm** the power to the appliance must be switched off then on by turning the switch 0-1 located on the power panel.

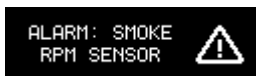
It is mandatory to empty and clean the brazier before repeating the START phase: pellets emptied from the brazier must not be fed into the tank.



Appears when the smoke thermocouple is damaged or absent. Contact the technical assistance service.

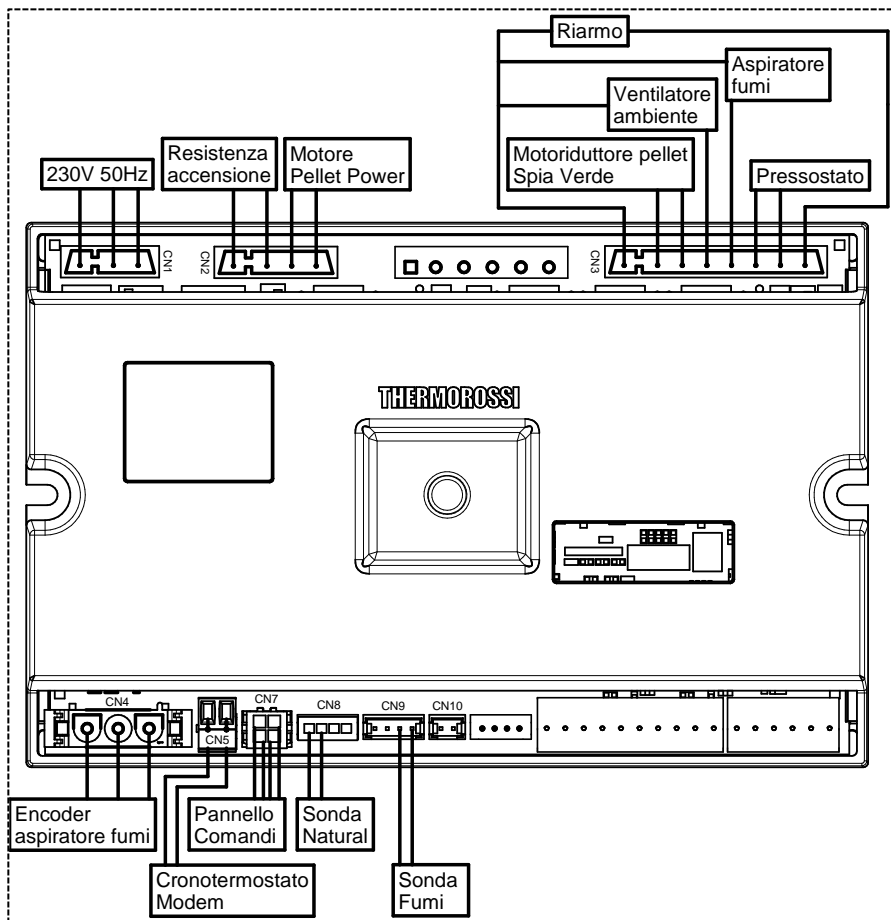


Activates when the smoke suction unit revolution sensor detects a very slow rotation speed: check the flue pipes and the flue outlet. If the problem persists contact the technical assistance service.



Trips when the smoke suction unit revolution sensor fails to detect any rotation. The smoke suction unit or the rotation sensor are not working. Contact the technical assistance service.

11 – ELECTRICAL WIRING



Legenda	Key
Resistenza accensione	Lighting heater
Motore Pellet Power	Pellet Power Motor
Riarmo	Reset
Aspiratore fumi	Smoke suction unit
Ventilatore ambiente	Room fan
Motoriduttore pellet Spia Verde	Pellet gearmotor Green indicator light
Pressostato	Pressure switch
Encoder aspiratore fumi	Smoke suction unit encoder
Cronotermostato Modem	Chrono-thermostat - Modem
Pannello Comandi	Control panel
Sonda Natural	Natural sensor
Sonda Fumi	Smoke sensor

12 – INFORMATION FOR THE SKILLED TECHNICIAN

12.1 MAIN COMPONENTS AND THEIR OPERATION

SMOKE PRESSURE SWITCH

This is a safety switch that stops the screw feeder motor whenever necessary. The main cause for the pressure switch tripping is a blocked flue outlet or smoke exhaust pipe. Note that it is strictly forbidden to apply any kind of mesh screen to the end of the pipe. When the holes of the mesh clog up they create a plug that trips the pressure switch which stops the pellet feeder.

SCREW FEEDER MOTOR

This motor is powered at regular on/off intervals controlled by a microprocessor. The operation of this motor is affected when:

- The motor's thermal cutout trips.
- The pressure switch trips due to blocked smoke exhaust.
- Pellets finished.
- Voluntary shut down of the appliance.
- The manual reset thermostat trips at 125°C

ROOM FAN

Starts automatically as soon as the smoke thermocouple detects a suitable smoke temperature. Similarly, it stops when the fuel is finished or during a voluntary shut down when the smoke thermocouple detects a suitable temperature for activating (to a maximum of 20 minutes).

SMOKE SUCTION UNIT

This is activated when the appliance starts up. In the first minute it «washes» the smoke discharge tube, that is, it functions at maximum working rate. Once this time has elapsed it self-adjusts to the optimal speed. The exhaust continues to operate for approximately twenty minutes from the time the appliance is switched off to allow for the evacuation of all the smoke and for safety purposes.

THERMOCOUPLE

Its function is to verify the temperature of the combustion smoke: when the smoke temperature exceeds a certain value it indicates that the appliance is on. Similarly, when the temperature drops below a certain limit it causes the presence of the message NO PELLETS on the display.

NATURAL SENSOR (TANK PROTECTION)

This probe activates as soon as the temperature around the pellet tank rises above a certain threshold, which immediately signals the room fan to start operating.

125°C MANUAL RESET THERMOSTAT

When the temperature exceeds 125°C the pellet feed screw shuts down. Display shows the inscription "AL T max". Once the causes for the overtemperature have been identified and remedied the appliance can be reactivated by unscrewing the plastic cover of the thermostat located on the power panel and pressing the button (the appliance temperature must have considerably dropped).

GLOW PLUG

It is activated in the START phase. Heats the air to 800°C, which assist the first combustion of the pellets present in the brazier. The spark plug is guaranteed for a period of 6 months.

BRAZIER CLEANING MOTOR

This is a patented system that creates a continual movement of the combustion pellets inside the burner which consequently cleans the burner.

12.2 PRESCRIPTIONS FOR CORRECT OPERATION

- Read this use and maintenance booklet.
- The appliance must always be switched off from the control panel. It is forbidden to switch off the appliance by means of the main switch 0/I located in the power panel.
- The appliance must never be disconnected from the electrical power supply and the power supply must never be cut off during normal operation. Whenever the appliance is deliberately disconnected from the electric power supply smoke could be emitted into the room.
- Do not install the appliance with horizontal wall outlets only: Evacuation of products of combustion by natural draught must always be guaranteed as well. Unsuitable installation of the outlets could cause a forced shut down of the appliance due to overpressure of the exhaust smoke caused by a gust of wind.
- At the first startup, run the appliance at the maximum power and minimum ventilation for at least ten hours in a well-ventilated room, in order to dispose of the smoke generated by the complete dryness and baking of the silicates contained.
- Do not install a grill or outlet terminal that could slow down the flow of the combustion gases: this would obviously cause the appliance to malfunction.
- Keep the appliance clean and check the burner as described in this use and maintenance guide.
- Clean the smoke outlet regularly.
- Use good quality pellets: use of poor pellets can result in up to 50% less efficiency.
- The pellets must be stored in a well-ventilated, dry place.
- The appliance door must always remain closed during normal operation.
- Do not touch hot outer surfaces, unless with special equipment.
- Do not pour the pellets or other substances directly into the brazier.
- Keep fuel and inflammable materials at a suitable distance.
- Use only original spare parts supplied by the manufacturer.

SLIMQUADRO LUMIA**12.3 TROUBLESHOOTING CAUSE-SOLUTION**

PROBLEM	POSSIBLE CAUSE	SOLUTION
PELLETS DO NOT DROP INTO THE BRAZIER	PELLET TANK IS EMPTY THE FOLLOWING ALARM IS SHOWN ON THE DISPLAY "NO PELLET"	CLEAN THE BRAZIER AS INDICATED IN THIS USE AND MAINTENANCE GUIDE, THEN FILL UP THE TANK WITH PELLETS
	PELLET SCREW FEEDER BLOCKED BY FOREIGN OBJECT SUCH AS NAIL, NYLON, PIECE OF WOOD THE FOLLOWING ALARM IS SHOWN ON THE DISPLAY "NO PELLET"	CUT OFF THE POWER AND REMOVE THE FOREIGN OBJECT FROM THE TANK.
	SMOKE EXHAUST NOT FREE, OR WITH TERMINAL THAT OBSTRUCTS THE PASSAGE OF SMOKE THE FOLLOWING ALARM IS SHOWN ON THE DISPLAY "SMOKE NO OUT"	CLEAN THE BRAZIER AS IN DICATED IN THIS USE AND MAINTENANCE GUIDE, THEN CHECK THE SMOKE EXHAUST AS IT COULD BE DIRTY OR BLOCKED.
	OUTLET TERMINAL CLOGGED BECAUSE A GRILL OR TERMINAL HAS BEEN INSERTED WHICH PREVENTS THE FREE PASSAGE OF SMOKE THE FOLLOWING ALARM IS SHOWN ON THE DISPLAY "SMOKE NO OUT"	CLEAN THE BRAZIER AS INDICATED IN THIS USE AND MAINTENANCE GUIDE, THEN REMOVE THE TERMINAL AND REPLACE IT WITH A MORE SUITABLE ONE.
	A LONG GUST OF WIND HAS CAUSED THE APPLIANCE TO GO INTO SAFETY MODE. THE FOLLOWING ALARM IS SHOWN ON THE DISPLAY "SMOKE NO OUT"	CLEAN THE BRAZIER AS DESCRIBED IN THIS USE AND MAINTENANCE GUIDE, DE-ENERGISE THE APPLIANCE THEN POWER UP AGAIN
	THE PELLET FEED MOTOR IS NOT WORKING THE FOLLOWING ALARM IS SHOWN ON THE DISPLAY "NO PELLET"	REPLACE THE PELLET FEED MOTOR
	THE RESET THERMOSTAT TRIPS AND LOCKS THE GEARMOTOR THE "ALARM T.MAX" ALARM IS SHOWN ON THE DISPLAY	AFTER HAVING VERIFIED AND FOUND A SOLUTION FOR THE OVERTEMPERATURE PROBLEM, WAIT UNTIL THE APPLIANCE COOLS DOWN AND RESET THE THERMOSTAT.
	THE DOOR OF THE COMBUSTION CHAMBER OF THE APPLIANCE IS OPEN THE FOLLOWING ALARM IS SHOWN ON THE DISPLAY "SMOKE NO OUT"	CLOSE THE DOOR OF THE COMBUSTION CHAMBER
THE APPLIANCE ACCUMULATES PELLETS IN THE BRAZIER WHILE OPERATING	SMOKE EXHAUST NOT FREE, OR WITH TERMINAL THAT OBSTRUCTS THE PASSAGE OF SMOKE	CLEAN THE BRAZIER AS IN DICATED IN THIS USE AND MAINTENANCE GUIDE, THEN CHECK THE SMOKE EXHAUST AS IT COULD BE DIRTY OR BLOCKED OR REMOVE THE TERMINAL AND REPLACE IT WITH A MORE SUITABLE ONE.
	THE BRAZIER IS VERY DIRTY.	CLEAN THE BRAZIER AS INDICATED IN THIS USE AND MAINTENANCE GUIDE
	THE DOOR OF THE COMBUSTION CHAMBER OF THE APPLIANCE IS NOT TIGHT, THE GASKET IS WORN	CLOSE THE DOOR OF THE COMBUSTION CHAMBER FIRMLY / REPLACE THE GASKET
	PELLET WITH ASH DEPOSIT GREATER THAN STANDARD OR OF DUBIOUS QUALITY	CLEAN THE BRAZIER AND SET OPERATING PROGRAM LEVEL 2 , AS INSTRUCTED IN THIS USE AND MAINTENANCE GUIDE. IF THIS DOES NOT SUFFICE, CHANGE TO A BETTER QUALITY OF PELLETS
THE APPLIANCE LEAKS SMOKE INTO THE ROOM	OCCURS THE FIRST TIME THE APPLIANCE IS SWITCHED ON AS THE SILICONE PAINT IS BEING DRIED	RUN THE APPLIANCE AT HIGH POWER LEVELS FOR A FEW DAYS
	THE SMOKE EXHAUST IS NOT SEALED CORRECTLY	CHECK THE TIGHTNESS OF THE FLUE OUTLET AND IN PARTICULAR THE CONDITION OF THE EXHAUST PIPES AND THE GASKETS
	IF THE APPLIANCE STARTS TO SMOKE AFTER 25 MINUTES: DIRTY BURNER, VERY DELAYED START	CLEAN THE BRAZIER AS INDICATED IN THIS USE AND MAINTENANCE GUIDE
	IF THE APPLIANCE STARTS TO SMOKE AFTER 25 MINUTES: DELAYED START BECAUSE THE SCREW FEEDER WAS EMPTY	CLEAN THE BAZIER AS INDICATED IN THIS MANUAL, THEN FILL UP THE TANK WITH PELLETS
	OVERPRESSURE RELIEF VALVE TRIPPING	MAKE SURE THAT ALL THE CLEANING, ROUTINE AND EXTRAORDINARY MAINTENANCE INSTRUCTIONS SET OUT IN THIS USE AND MAINTENANCE GUIDE ARE STRICTLY ADHERED TO
THE APPLIANCE ENTERS ALARM MODE A FEW MINUTES AFTER THE START SEQUENCE HAS ENDED	DELAYED START BECAUSE THE SCREW FEEDER IS EMPTY THE FOLLOWING ALARM IS SHOWN ON THE DISPLAY "FAILED START"	CLEAN THE BRAZIER AS INDICATED IN THIS USE AND MAINTENANCE GUIDE, THEN FILL UP THE TANK WITH PELLETS
	START UP HAS BEEN GREATLY DELAYED BECAUSE THE BRAZIER IS DIRTY THE FOLLOWING ALARM IS SHOWN ON THE DISPLAY "FAILED START"	CLEAN THE BRAZIER AS INDICATED IN THIS USE AND MAINTENANCE GUIDE, THEN FILL UP THE TANK WITH PELLETS
THE APPLIANCE DOES NOT START UP	THE SPARK PLUG IS NOT WORKING THE FOLLOWING ALARM IS SHOWN ON THE DISPLAY "FAILED START"	CLEAN THE BRAZIER AS INDICATED IN THIS USE AND MAINTENANCE GUIDE, THEN REPLACE THE SPARK PLUG
	THE PELLET TANK OR SCREW FEEDER IS EMPTY THE FOLLOWING ALARM IS SHOWN ON THE DISPLAY "FAILED START"	CLEAN THE BRAZIER AS INDICATED IN THIS USE AND MAINTENANCE GUIDE, THEN FILL UP THE TANK WITH PELLETS
	EXCESSIVE DRAUGHT IN THE FLUE OUTLET THE FOLLOWING ALARM IS SHOWN ON THE DISPLAY "FAILED START"	HAVE THE FLUE OUTLET DRAUGHT CHECKED
	THE HOLE OF THE SPARK PLUG IS CLOGGED WITH COMBUSTION RESIDUES	CLEAN THE BRAZIER AS INDICATED IN THIS USE AND MAINTENANCE GUIDE
THE GLASS IS COVERED IN BLACK SOOT	THE APPLIANCE ACCUMULATES PELLETS IN THE BRAZIER	CLEAN THE BRAZIER AND SET OPERATING PROGRAM LEVEL 2 , AS INSTRUCTED IN THIS USE AND MAINTENANCE GUIDE. IF THIS DOES NOT SUFFICE, CHANGE TO A BETTER QUALITY OF PELLETS
	THE APPLIANCE OPERATES WITH FREQUENT ON-OFF CYCLES	THE APPLIANCE SHOULD RUN FOR LONGER PERIODS OF TIME TO REDUCE THE ON/OFF EVENTS
	THE FLUE OUTLET HAS POOR DRAUGHT	HAVE THE FLUE OUTLET DRAUGHT CHECKED AND IF NECESSARY MAKE THE APPROPRIATE MODIFICATIONS
	POOR QUALITY PELLETS	CLEAN THE BRAZIER AND SET OPERATING PROGRAM LEVEL 2 , AS INSTRUCTED IN THIS USE AND MAINTENANCE GUIDE. IF THIS DOES NOT SUFFICE, CHANGE TO A BETTER QUALITY OF PELLETS

THE APPLIANCE DOES NOT WARM UP	ROOM TEMPERATURE THERMOSTAT SET TOO LOW, APPLIANCE OPERATES INTERMITTENTLY	THE APPLIANCE NEEDS TO RUN FOR MORE HOURS AT A HIGHER POWER; SET A HIGHER ROOM TEMPERATURE
	THE ROOM IS TOO LARGE, THE WALLS ARE COLD	THE APPLIANCE SHOULD OPERATE FOR MORE TIME AND WITH MORE POWER
	POOR QUALITY PELLETS	CHANGE TO AN APPROVED TYPE AS INDICATED IN THIS USE AND MAINTENANCE GUIDE
	CEILINGS TOO HIGH OR PRESENCE OF STAIRS THAT DISPERSE THE HEAT ELSEWHERE.	SEPARATE THE SPACES OR RUN THE APPLIANCE AT HIGHER LEVELS FOR LONGER PERIODS OF TIME
THE APPLIANCE IS OFF BUT THERE ARE UNBURNT PELLETS IN THE BRAZIER	PELLETS HAVE RUN OUT IN THE TANK WHILE THE APPLIANCE IS RUNNING THE FOLLOWING ALARM IS SHOWN ON THE DISPLAY "NO PELLETT"	CLEAN THE BRAZIER AS INDICATED IN THIS USE AND MAINTENANCE GUIDE, THEN FILL UP THE TANK WITH PELLETS
	EXCESSIVE DRAUGHT IN THE FLUE OUTLET THE FOLLOWING ALARM IS SHOWN ON THE DISPLAY "NO PELLETT"	HAVE THE FLUE OUTLET DRAUGHT CHECKED AND IF NECESSARY MAKE THE APPROPRIATE MODIFICATIONS
THE TIME DOES NOT REMAIN IN THE MEMORY	THE BUFFER BATTERY INSTALLED IN THE CONTROL PANEL IS EXHAUSTED	REPLACE THE BATTERY
THE HOURLY PROGRAM IS NOT COMPLIED WITH	THE USER HAS NOT ENABLED IT	PRESS THE CLOCK BUTTON TO ENABLE IT AS INSTRUCTED IN THIS USE AND MAINTENANCE GUIDE
	THE BUFFER BATTERY INSTALLED IN THE CONTROL PANEL IS EXHAUSTED	REPLACE THE BATTERY
	AN ERROR HAS BEEN MADE WITHIN THE PROGRAMMED CYCLE: A SHUT OFF TIME HAS BEEN SET BEFORE THE START TIME	VERIFY THE TIMES SET IN THE CRONO SCREEN
AFTER A FEW HOURS OF OPERATION A DEPOSIT APPEARS ON THE GLASS	THIS PROBLEM OCCURS IN NEW PRODUCTS AND IS CAUSED BY THE EVAPORATION OF SOLVENTS PRESENT IN THE SILICONE	CLEAN THE GLASS WITH A NON-ABRASIVE WET CLOTH

IF THE REMEDIES SUPPLIED HERE DO NOT SOLVE THE PROBLEM YOU HAVE ENCOUNTERED OR IF YOU REQUIRE SPARE PARTS CONTACT AN AUTHORISED TECHNICAL SUPPORT CENTRE.



THERMOROSSI 

Fire Lovers

THERMOROSSI S.p.A.

Via Grumolo, 4 (Z.I.) 36011 Arsiero (VI) - ITALY

Fax 0445.741657 - www.thermorossi.com - info@thermorossi.it