

THERMOROSSI ^{tr}

Fire Lovers

ZEN SERIES

ITA - MANUALE DI INSTALLAZIONE, USO E MANUTENZIONE.

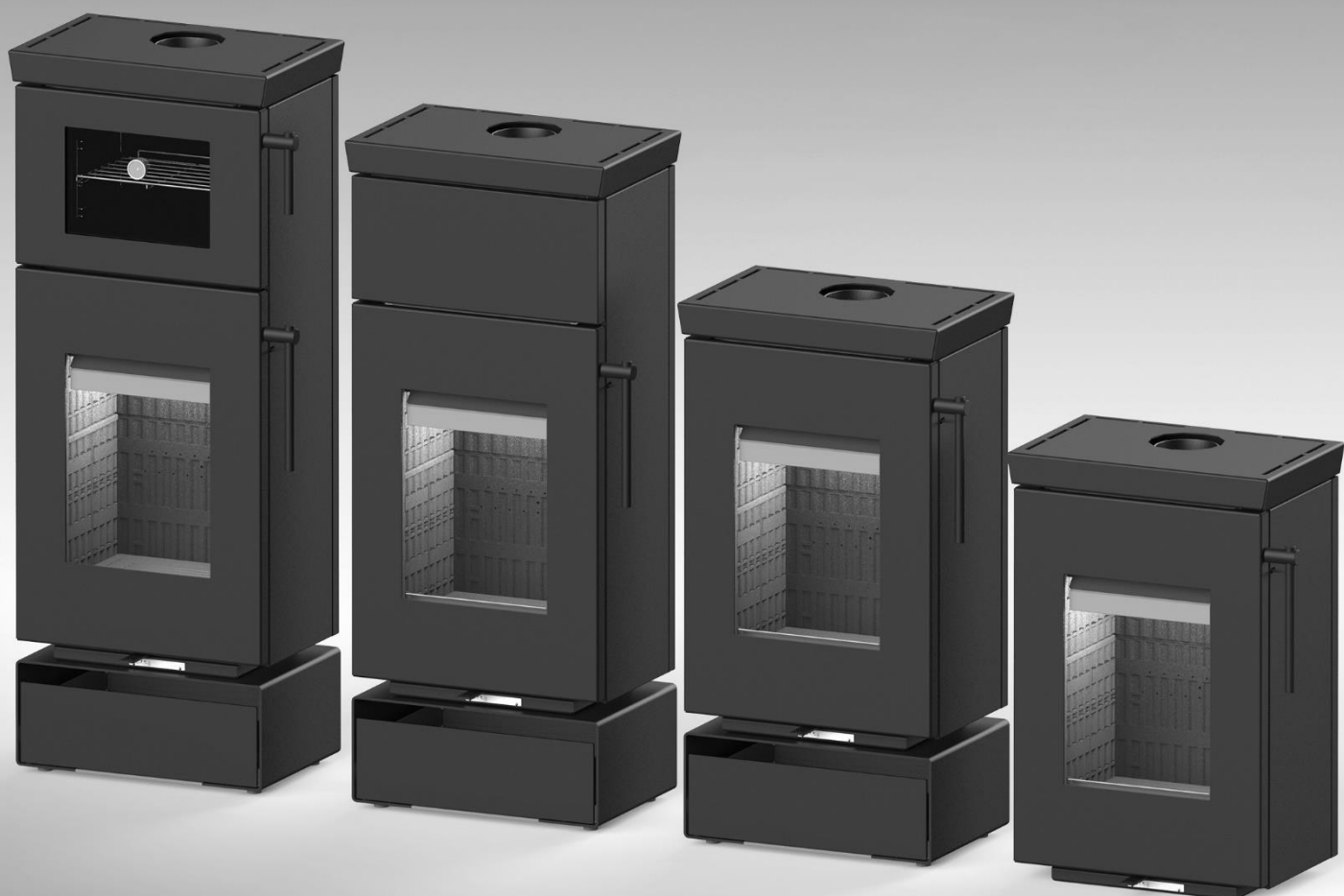
FRA - MANUEL D'INSTALLATION, D'UTILISATION ET D'ENTRETIEN.

ENG - INSTALLATION, USE AND MAINTENANCE GUIDE.

DEU - INSTALLATIONS-, BETRIEBS- UND WARTUNGSANLEITUNG.

ESP - MANUAL DE INSTALACIÓN, USO Y MANTENIMIENTO.

NL - HANDLEIDING VOOR INSTALLATIE, GEBRUIK EN ONDERHOUD.



ITA - Informazioni importanti per la sicurezza ed il corretto funzionamento.

FRA - À lire impérativement ! Informations importantes pour la sécurité et le bon fonctionnement.

ENG - Must read! Important information for safety and correct operation.

DEU - Unbedingt lesen! Wichtige Informationen zur Sicherheit und zum sicheren Betrieb.

ESP - ¡Leer! Informaciones importantes para la seguridad y el correcto funcionamiento.

NL - Belangrijke informatie voor de veiligheid en de correcte werking.

INDEX

1 – INTRODUCTION.....	10
2 – TECHNICAL CHARACTERISTICS.....	12
3 – GENERAL DESCRIPTION	17
4 – INSTALLATION.....	20
5 – CASINGS	23
6 – USE OF THE APPLIANCE	23
7 – CLEANING AND MAINTENANCE	26
8 – SMOKE EXHAUST TUBE	29
9 – PROBLEMS, CAUSES AND SOLUTIONS.....	31
10 – CONDITIONS OF WARRANTY	32

EU Declaration of Conformity (DoC) / Dichiarazione di Conformità UE (DoC)

Company name: Azienda:	THERMOROSSI S.P.A.	Postal address: Indirizzo:	VIA GRUMOLO, N° 4
Postcode and city: Codice postale e città:	36011 ARSIERO (VI)	Telephone number: Numero di telefono:	0445/741310
E-mail address: Indirizzo e-mail:	INFO@THERMOROSSI.IT		

declare that the DoC is issued under our sole responsibility and belongs to the following product:
dichiara che la dichiarazione viene rilasciata sotto la propria responsabilità e si riferisce al seguente prodotto:

Apparatus model / Product: Descrizione prodotto:	Wood stove Stufa a legna	Trademark: Marchio	THERMOROSSI S.P.A.
--	-----------------------------	-----------------------	--------------------

Models: Modelli:	ZEN 4,8 ZEN 5,9 ZEN EVO6 7,7	ZEN W 4,8 ZEN W 5,9 ZEN EVO6 W 7,7	ZEN T 4,8 ZEN T 5,9 ZEN EVO6 T 7,7	ZEN O 4,8 ZEN O 5,9 ZEN EVO6 O 7,7
---------------------	------------------------------------	--	--	--

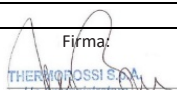
Sono state applicate le seguenti norme armonizzate e/o specifiche tecniche:
The following harmonised standards and/or technical specifications have been applied: Commission Regulation (EU) 2015/1185


Arsiero, 19/01/2026

Firma/Sign.


THERMOROSSI S.P.A.
Un Administrator

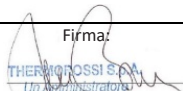
Installation, use and maintenance guide
ZEN SERIES

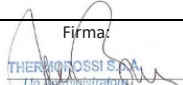
THERMOROSSI <small>Fire Lovers</small>	DECLARATION OF PERFORMANCE IN ACCORDANCE WITH REGULATION (EU) 305/2011	n°A106
1 - Unique identification code of the product type:		ZEN 4,8
2 - Model, batch, series (Article 11, paragraph 4):		ZEN 4,8
3 - Intended uses of the construction product, in accordance with the relevant harmonised technical specification:		Domestic heating appliance, without water, fuelled by wood logs
4 - Registered name and address of the manufacturer (Art. 11, paragraph 5):		THERMOROSSI S.P.A. Via Grumolo, n° 4 36011 Arsiero (VI) Tel.0445/741310
5 - Name and address of the representative (Art. 12, paragraph 2):		-
6 - System for assessing and verifying the constancy of performance of the construction product referred to in Annex V:		System 3 and 4
7 - Notified laboratory:		Kiwa Italia S.p.a. N° 0476
Harmonised technical specification:		EN 16510-2-1
Test report number according to system 3:		0476-AoP-CPR-5014282
8 - Declared performance:		
Essential features		Performance
Fire resistance		A1
Minimum safety distances from combustible materials in millimetres:		
Back / Side / Front / Ceiling / Floor		200 / 200 / 2000 / 750 / 100
Risk of fuel leakage:		Compliant
Surface temperature:		Compliant
Electrical safety:		Compliant
Accessibility and cleanliness:		Compliant
Emission of combustion products:		
at nominal power / at reduced power (mg/m3 at 13% O2):		362 / -
Maximum operating pressure:		N.A.
Flue gas temperature at nominal power:		195
Mechanical strength (to support the chimney/fuel):		Compliant
Nominal thermal power (kW)		4,8
Heat output to the environment (kW)		4,8
Heat output transferred to water (kW)		-
Energy efficiency at nominal heat output		87
Energy efficiency at reduced heat output		-
9 - The performance of the product identified in points 1 and 2 is in conformity with the declared performance in point 8.		
This declaration of performance is issued under the sole responsibility of the manufacturer identified in point 4.		
Arsiero, 19/01/2026		Firma:  <small>THERMOROSSI S.P.A. Un Administrator</small>

THERMOROSSI <small>Fire Lovers</small>	DECLARATION OF PERFORMANCE IN ACCORDANCE WITH REGULATION (EU) 305/2011	n°A107
1 - Unique identification code of the product type:		ZEN 5,9
2 - Model, batch, series (Article 11, paragraph 4):		ZEN 5,9
3 - Intended uses of the construction product, in accordance with the relevant harmonised technical specification:		Domestic heating appliance, without water, fuelled by wood logs
4 - Registered name and address of the manufacturer (Art. 11, paragraph 5):		THERMOROSSI S.P.A. Via Grumolo, n° 4 36011 Arsiero (VI) Tel.0445/741310
5 - Name and address of the representative (Art. 12, paragraph 2):		-
6 - System for assessing and verifying the constancy of performance of the construction product referred to in Annex V:		System 3 and 4
7 - Notified laboratory:		Kiwa Italia S.p.a. N° 0476
Harmonised technical specification:		EN 16510-2-1
Test report number according to system 3:		0476-AoP-CPR-5014282
8 - Declared performance:		
Essential features		Performance
Fire resistance		A1
Minimum safety distances from combustible materials in millimetres:		
Back / Side / Front / Ceiling / Floor		200 / 200 / 2000 / 750 / 100
Risk of fuel leakage:		Compliant
Surface temperature:		Compliant
Electrical safety:		Compliant
Accessibility and cleanliness:		Compliant
Emission of combustion products:		
at nominal power / at reduced power (mg/m3 at 13% O2):		331 / -
Maximum operating pressure:		N.A.
Flue gas temperature at nominal power:		219
Mechanical strength (to support the chimney/fuel):		Compliant
Nominal thermal power (kW)		5,9
Heat output to the environment (kW)		5,9
Heat output transferred to water (kW)		-
Energy efficiency at nominal heat output		86
Energy efficiency at reduced heat output		-
9 - The performance of the product identified in points 1 and 2 is in conformity with the declared performance in point 8.		
This declaration of performance is issued under the sole responsibility of the manufacturer identified in point 4.		
Arsiero, 19/01/2026		Firma:  <small>THERMOROSSI S.P.A. Un Administrator</small>

Installation, use and maintenance guide
ZEN SERIES

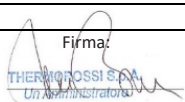
ENG

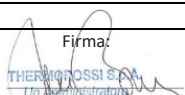
THERMOROSSI <small>Fire Lovers</small>	DECLARATION OF PERFORMANCE IN ACCORDANCE WITH REGULATION (EU) 305/2011	n°A171
1 - Unique identification code of the product type:		ZEN EVO6 7,7
2 - Model, batch, series (Article 11, paragraph 4):		ZEN EVO6 7,7
3 - Intended uses of the construction product, in accordance with the relevant harmonised technical specification:		Domestic heating appliance, without water, fuelled by wood logs
4 - Registered name and address of the manufacturer (Art. 11, paragraph 5):		THERMOROSSI S.P.A. Via Grumolo, n° 4 36011 Arsiero (VI) Tel.0445/741310
5 - Name and address of the representative (Art. 12, paragraph 2):		-
6 - System for assessing and verifying the constancy of performance of the construction product referred to in Annex V:		System 3 and 4
7 - Notified laboratory:		Kiwa Italia S.p.a. N° 0476
Harmonised technical specification:		EN 16510-2-1
Test report number according to system 3:		0476-AoP-CPR-5014282
8 - Declared performance:		
Essential features		Performance
Fire resistance		A1
Minimum safety distances from combustible materials in millimetres:		
Back / Side / Front / Ceiling / Floor		200 / 200 / 2000 / 750 / 100
Risk of fuel leakage:		Compliant
Surface temperature:		Compliant
Electrical safety:		Compliant
Accessibility and cleanliness:		Compliant
Emission of combustion products:		
at nominal power / at reduced power (mg/m3 at 13% O2):		293 / -
Maximum operating pressure:		N.A.
Flue gas temperature at nominal power:		239
Mechanical strength (to support the chimney/fuel):		Compliant
Nominal thermal power (kW)		7,7
Heat output to the environment (kW)		7,7
Heat output transferred to water (kW)		-
Energy efficiency at nominal heat output		86
Energy efficiency at reduced heat output		-
9 - The performance of the product identified in points 1 and 2 is in conformity with the declared performance in point 8.		
This declaration of performance is issued under the sole responsibility of the manufacturer identified in point 4.		
Arsiero, 19/01/2026		Firma:  THERMOROSSI S.P.A. Un'Amministrazione

THERMOROSSI <small>Fire Lovers</small>	DECLARATION OF PERFORMANCE IN ACCORDANCE WITH REGULATION (EU) 305/2011	n°A109
1 - Unique identification code of the product type:		ZEN W 4,8
2 - Model, batch, series (Article 11, paragraph 4):		ZEN W 4,8
3 - Intended uses of the construction product, in accordance with the relevant harmonised technical specification:		Domestic heating appliance, without water, fuelled by wood logs
4 - Registered name and address of the manufacturer (Art. 11, paragraph 5):		THERMOROSSI S.P.A. Via Grumolo, n° 4 36011 Arsiero (VI) Tel.0445/741310
5 - Name and address of the representative (Art. 12, paragraph 2):		-
6 - System for assessing and verifying the constancy of performance of the construction product referred to in Annex V:		System 3 and 4
7 - Notified laboratory:		Kiwa Italia S.p.a. N° 0476
Harmonised technical specification:		EN 16510-2-1
Test report number according to system 3:		0476-AoP-CPR-5014282
8 - Declared performance:		
Essential features		Performance
Fire resistance		A1
Minimum safety distances from combustible materials in millimetres:		
Back / Side / Front / Ceiling / Floor		200 / 200 / 2000 / 750 / 100
Risk of fuel leakage:		Compliant
Surface temperature:		Compliant
Electrical safety:		Compliant
Accessibility and cleanliness:		Compliant
Emission of combustion products:		
at nominal power / at reduced power (mg/m3 at 13% O2):		362 / -
Maximum operating pressure:		N.A.
Flue gas temperature at nominal power:		195
Mechanical strength (to support the chimney/fuel):		Compliant
Nominal thermal power (kW)		4,8
Heat output to the environment (kW)		4,8
Heat output transferred to water (kW)		-
Energy efficiency at nominal heat output		87
Energy efficiency at reduced heat output		-
9 - The performance of the product identified in points 1 and 2 is in conformity with the declared performance in point 8.		
This declaration of performance is issued under the sole responsibility of the manufacturer identified in point 4.		
Arsiero, 19/01/2026		Firma:  THERMOROSSI S.P.A. Un'Amministrazione

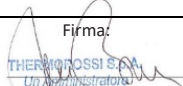
Installation, use and maintenance guide

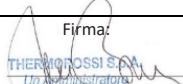
ZEN SERIES

THERMOROSSI <small>Fire Lovers</small>	DECLARATION OF PERFORMANCE IN ACCORDANCE WITH REGULATION (EU) 305/2011	n°A110
1 - Unique identification code of the product type:		ZEN W 5,9
2 - Model, batch, series (Article 11, paragraph 4):		ZEN W 5,9
3 - Intended uses of the construction product, in accordance with the relevant harmonised technical specification:		Domestic heating appliance, without water, fuelled by wood logs
4 - Registered name and address of the manufacturer (Art. 11, paragraph 5):		THERMOROSSI S.P.A. Via Grumolo, n° 4 36011 Arsiero (VI) Tel.0445/741310
5 - Name and address of the representative (Art. 12, paragraph 2):		-
6 - System for assessing and verifying the constancy of performance of the construction product referred to in Annex V:		System 3 and 4
7 - Notified laboratory:		Kiwa Italia S.p.a. N° 0476
Harmonised technical specification:		EN 16510-2-1
Test report number according to system 3:		0476-AoP-CPR-5014282
8 - Declared performance:		
Essential features		Performance
Fire resistance		A1
Minimum safety distances from combustible materials in millimetres:		
Back / Side / Front / Ceiling / Floor		200 / 200 / 2000 / 750 / 100
Risk of fuel leakage:		Compliant
Surface temperature:		Compliant
Electrical safety:		Compliant
Accessibility and cleanliness:		Compliant
Emission of combustion products:		
at nominal power / at reduced power (mg/m3 at 13% O ₂):		331 / -
Maximum operating pressure:		N.A.
Flue gas temperature at nominal power:		219
Mechanical strength (to support the chimney/fuel):		Compliant
Nominal thermal power (kW)		5,9
Heat output to the environment (kW)		5,9
Heat output transferred to water (kW)		-
Energy efficiency at nominal heat output		86
Energy efficiency at reduced heat output		-
9 - The performance of the product identified in points 1 and 2 is in conformity with the declared performance in point 8.		
This declaration of performance is issued under the sole responsibility of the manufacturer identified in point 4.		
Arsiero, 19/01/2026		Firma:  <small>THERMOROSSI S.p.A. Un Amministratore</small>

THERMOROSSI <small>Fire Lovers</small>	DECLARATION OF PERFORMANCE IN ACCORDANCE WITH REGULATION (EU) 305/2011	n°A168
1 - Unique identification code of the product type:		ZEN EVO6 W 7,7
2 - Model, batch, series (Article 11, paragraph 4):		ZEN EVO6 W 7,7
3 - Intended uses of the construction product, in accordance with the relevant harmonised technical specification:		Domestic heating appliance, without water, fuelled by wood logs
4 - Registered name and address of the manufacturer (Art. 11, paragraph 5):		THERMOROSSI S.P.A. Via Grumolo, n° 4 36011 Arsiero (VI) Tel.0445/741310
5 - Name and address of the representative (Art. 12, paragraph 2):		-
6 - System for assessing and verifying the constancy of performance of the construction product referred to in Annex V:		System 3 and 4
7 - Notified laboratory:		Kiwa Italia S.p.a. N° 0476
Harmonised technical specification:		EN 16510-2-1
Test report number according to system 3:		0476-AoP-CPR-5014282
8 - Declared performance:		
Essential features		Performance
Fire resistance		A1
Minimum safety distances from combustible materials in millimetres:		
Back / Side / Front / Ceiling / Floor		200 / 200 / 2000 / 750 / 100
Risk of fuel leakage:		Compliant
Surface temperature:		Compliant
Electrical safety:		Compliant
Accessibility and cleanliness:		Compliant
Emission of combustion products:		
at nominal power / at reduced power (mg/m3 at 13% O ₂):		293 / -
Maximum operating pressure:		N.A.
Flue gas temperature at nominal power:		239
Mechanical strength (to support the chimney/fuel):		Compliant
Nominal thermal power (kW)		7,7
Heat output to the environment (kW)		7,7
Heat output transferred to water (kW)		-
Energy efficiency at nominal heat output		86
Energy efficiency at reduced heat output		-
9 - The performance of the product identified in points 1 and 2 is in conformity with the declared performance in point 8.		
This declaration of performance is issued under the sole responsibility of the manufacturer identified in point 4.		
Arsiero, 19/01/2026		Firma:  <small>THERMOROSSI S.p.A. Un Amministratore</small>

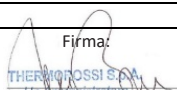
ZEN SERIES


THERMOROSSI <small>Fire Lovers</small>	DECLARATION OF PERFORMANCE IN ACCORDANCE WITH REGULATION (EU) 305/2011	n°A112
1 - Unique identification code of the product type:		ZEN T 4,8
2 - Model, batch, series (Article 11, paragraph 4):		ZEN T 4,8
3 - Intended uses of the construction product, in accordance with the relevant harmonised technical specification:		Domestic heating appliance, without water, fuelled by wood logs
4 - Registered name and address of the manufacturer (Art. 11, paragraph 5):		THERMOROSSI S.P.A. Via Grumolo, n° 4 36011 Arsiero (VI) Tel.0445/741310
5 - Name and address of the representative (Art. 12, paragraph 2):		-
6 - System for assessing and verifying the constancy of performance of the construction product referred to in Annex V:		System 3 and 4
7 - Notified laboratory:		Kiwa Italia S.p.a. N° 0476
Harmonised technical specification:		EN 16510-2-1
Test report number according to system 3:		0476-AoP-CPR-5014282
8 - Declared performance:		
Essential features		Performance
Fire resistance		A1
Minimum safety distances from combustibile materials in millimetres:		
Back / Side / Front / Ceiling / Floor		200 / 200 / 2000 / 750 / 100
Risk of fuel leakage:		Compliant
Surface temperature:		Compliant
Electrical safety:		Compliant
Accessibility and cleanliness:		Compliant
Emission of combustion products:		
at nominal power / at reduced power (mg/m3 at 13% O2:)		362 / -
Maximum operating pressure:		N.A.
Flue gas temperature at nominal power:		195
Mechanical strength (to support the chimney/fuel):		Compliant
Nominal thermal power (kW)		4,8
Heat output to the environment (kW)		4,8
Heat output transferred to water (kW)		-
Energy efficiency at nominal heat output		87
Energy efficiency at reduced heat output		-
9 - The performance of the product identified in points 1 and 2 is in conformity with the declared performance in point 8.		
This declaration of performance is issued under the sole responsibility of the manufacturer identified in point 4.		
Arsiero, 19/01/2026		 Firma: THERMOROSSI S.P.A. Un Amministratore

THERMOROSSI <small>Fire Lovers</small>	DECLARATION OF PERFORMANCE IN ACCORDANCE WITH REGULATION (EU) 305/2011	n°A113
1 - Unique identification code of the product type:		ZEN T 5,9
2 - Model, batch, series (Article 11, paragraph 4):		ZEN T 5,9
3 - Intended uses of the construction product, in accordance with the relevant harmonised technical specification:		Domestic heating appliance, without water, fuelled by wood logs
4 - Registered name and address of the manufacturer (Art. 11, paragraph 5):		THERMOROSSI S.P.A. Via Grumolo, n° 4 36011 Arsiero (VI) Tel.0445/741310
5 - Name and address of the representative (Art. 12, paragraph 2):		-
6 - System for assessing and verifying the constancy of performance of the construction product referred to in Annex V:		System 3 and 4
7 - Notified laboratory:		Kiwa Italia S.p.a. N° 0476
Harmonised technical specification:		EN 16510-2-1
Test report number according to system 3:		0476-AoP-CPR-5014282
8 - Declared performance:		
Essential features		Performance
Fire resistance		A1
Minimum safety distances from combustibile materials in millimetres:		
Back / Side / Front / Ceiling / Floor		200 / 200 / 2000 / 750 / 100
Risk of fuel leakage:		Compliant
Surface temperature:		Compliant
Electrical safety:		Compliant
Accessibility and cleanliness:		Compliant
Emission of combustion products:		
at nominal power / at reduced power (mg/m3 at 13% O2:)		331 / -
Maximum operating pressure:		N.A.
Flue gas temperature at nominal power:		219
Mechanical strength (to support the chimney/fuel):		Compliant
Nominal thermal power (kW)		5,9
Heat output to the environment (kW)		5,9
Heat output transferred to water (kW)		-
Energy efficiency at nominal heat output		86
Energy efficiency at reduced heat output		-
9 - The performance of the product identified in points 1 and 2 is in conformity with the declared performance in point 8.		
This declaration of performance is issued under the sole responsibility of the manufacturer identified in point 4.		
Arsiero, 19/01/2026		 Firma: THERMOROSSI S.P.A. Un Amministratore

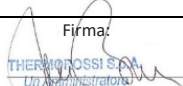
Installation, use and maintenance guide

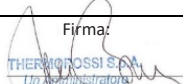
ZEN SERIES

THERMOROSSI <small>Fire Lovers</small>	DECLARATION OF PERFORMANCE IN ACCORDANCE WITH REGULATION (EU) 305/2011	n°A170
1 - Unique identification code of the product type:		ZEN EVO6 T 7,7
2 - Model, batch, series (Article 11, paragraph 4):		ZEN EVO6 T 7,7
3 - Intended uses of the construction product, in accordance with the relevant harmonised technical specification:		Domestic heating appliance, without water, fuelled by wood logs
4 - Registered name and address of the manufacturer (Art. 11, paragraph 5):		THERMOROSSI S.P.A. Via Grumolo, n° 4 36011 Arsiero (VI) Tel.0445/741310
5 - Name and address of the representative (Art. 12, paragraph 2):		-
6 - System for assessing and verifying the constancy of performance of the construction product referred to in Annex V:		System 3 and 4
7 - Notified laboratory:		Kiwa Italia S.p.a. N° 0476
Harmonised technical specification:		EN 16510-2-1
Test report number according to system 3:		0476-AoP-CPR-5014282
8 - Declared performance:		
Essential features		Performance
Fire resistance		A1
Minimum safety distances from combustible materials in millimetres:		
Back / Side / Front / Ceiling / Floor		200 / 200 / 2000 / 750 / 100
Risk of fuel leakage:		Compliant
Surface temperature:		Compliant
Electrical safety:		Compliant
Accessibility and cleanliness:		Compliant
Emission of combustion products:		
at nominal power / at reduced power (mg/m3 at 13% O2:)		293 / -
Maximum operating pressure:		N.A.
Flue gas temperature at nominal power:		239
Mechanical strength (to support the chimney/fuel):		Compliant
Nominal thermal power (kW)		7,7
Heat output to the environment (kW)		7,7
Heat output transferred to water (kW)		-
Energy efficiency at nominal heat output		86
Energy efficiency at reduced heat output		-
9 - The performance of the product identified in points 1 and 2 is in conformity with the declared performance in point 8.		
This declaration of performance is issued under the sole responsibility of the manufacturer identified in point 4.		
Arsiero, 19/01/2026		Firma: 

THERMOROSSI <small>Fire Lovers</small>	DECLARATION OF PERFORMANCE IN ACCORDANCE WITH REGULATION (EU) 305/2011	n°A115
1 - Unique identification code of the product type:		ZEN O 4,8
2 - Model, batch, series (Article 11, paragraph 4):		ZEN O 4,8
3 - Intended uses of the construction product, in accordance with the relevant harmonised technical specification:		Domestic heating appliance, without water, fuelled by wood logs
4 - Registered name and address of the manufacturer (Art. 11, paragraph 5):		THERMOROSSI S.P.A. Via Grumolo, n° 4 36011 Arsiero (VI) Tel.0445/741310
5 - Name and address of the representative (Art. 12, paragraph 2):		-
6 - System for assessing and verifying the constancy of performance of the construction product referred to in Annex V:		System 3 and 4
7 - Notified laboratory:		Kiwa Italia S.p.a. N° 0476
Harmonised technical specification:		EN 16510-2-1
Test report number according to system 3:		0476-AoP-CPR-5014282
8 - Declared performance:		
Essential features		Performance
Fire resistance		A1
Minimum safety distances from combustible materials in millimetres:		
Back / Side / Front / Ceiling / Floor		200 / 200 / 2000 / 750 / 100
Risk of fuel leakage:		Compliant
Surface temperature:		Compliant
Electrical safety:		Compliant
Accessibility and cleanliness:		Compliant
Emission of combustion products:		
at nominal power / at reduced power (mg/m3 at 13% O2:)		362 / -
Maximum operating pressure:		N.A.
Flue gas temperature at nominal power:		195
Mechanical strength (to support the chimney/fuel):		Compliant
Nominal thermal power (kW)		4,8
Heat output to the environment (kW)		4,8
Heat output transferred to water (kW)		-
Energy efficiency at nominal heat output		87
Energy efficiency at reduced heat output		-
9 - The performance of the product identified in points 1 and 2 is in conformity with the declared performance in point 8.		
This declaration of performance is issued under the sole responsibility of the manufacturer identified in point 4.		
Arsiero, 19/01/2026		Firma: 

ZEN SERIES

THERMOROSSI <small>Fire Lovers</small>	DECLARATION OF PERFORMANCE IN ACCORDANCE WITH REGULATION (EU) 305/2011	n°A116
1 - Unique identification code of the product type:		ZEN O 5,9
2 - Model, batch, series (Article 11, paragraph 4):		ZEN O 5,9
3 - Intended uses of the construction product, in accordance with the relevant harmonised technical specification:		Domestic heating appliance, without water, fuelled by wood logs
4 - Registered name and address of the manufacturer (Art. 11, paragraph 5):		THERMOROSSI S.P.A. Via Grumolo, n° 4 36011 Arsiero (VI) Tel.0445/741310
5 - Name and address of the representative (Art. 12, paragraph 2):		-
6 - System for assessing and verifying the constancy of performance of the construction product referred to in Annex V:		System 3 and 4
7 - Notified laboratory:		Kiwa Italia S.p.a. N° 0476
Harmonised technical specification:		EN 16510-2-1
Test report number according to system 3:		0476-AoP-CPR-5014282
8 - Declared performance:		
Essential features		Performance
Fire resistance		A1
Minimum safety distances from combustible materials in millimetres:		
Back / Side / Front / Ceiling / Floor		200 / 200 / 2000 / 750 / 100
Risk of fuel leakage:		Compliant
Surface temperature:		Compliant
Electrical safety:		Compliant
Accessibility and cleanliness:		Compliant
Emission of combustion products:		
at nominal power / at reduced power (mg/m3 at 13% O2:)		331 / -
Maximum operating pressure:		N.A.
Flue gas temperature at nominal power:		219
Mechanical strength (to support the chimney/fuel):		Compliant
Nominal thermal power (kW)		5,9
Heat output to the environment (kW)		5,9
Heat output transferred to water (kW)		-
Energy efficiency at nominal heat output		86
Energy efficiency at reduced heat output		-
9 - The performance of the product identified in points 1 and 2 is in conformity with the declared performance in point 8.		
This declaration of performance is issued under the sole responsibility of the manufacturer identified in point 4.		
Arsiero, 19/01/2026		 Firma: THERMOROSSI S.P.A. Un Amministratore

THERMOROSSI <small>Fire Lovers</small>	DICHIARAZIONE DI PRESTAZIONE IN ACCORDO CON IL REGOLAMENTO (UE) 305/2011	n°A169
1 - Unique identification code of the product type:		ZEN EVO6 O 7,7
2 - Model, batch, series (Article 11, paragraph 4):		ZEN EVO6 O 7,7
3 - Intended uses of the construction product, in accordance with the relevant harmonised technical specification:		Domestic heating appliance, without water, fuelled by wood logs
4 - Registered name and address of the manufacturer (Art. 11, paragraph 5):		THERMOROSSI S.P.A. Via Grumolo, n° 4 36011 Arsiero (VI) Tel.0445/741310
5 - Name and address of the representative (Art. 12, paragraph 2):		-
6 - System for assessing and verifying the constancy of performance of the construction product referred to in Annex V:		System 3 and 4
7 - Notified laboratory:		Kiwa Italia S.p.a. N° 0476
Harmonised technical specification:		EN 16510-2-1
Test report number according to system 3:		0476-AoP-CPR-5014282
8 - Declared performance:		
Essential features		Performance
Fire resistance		A1
Minimum safety distances from combustible materials in millimetres:		
Back / Side / Front / Ceiling / Floor		200 / 200 / 2000 / 750 / 100
Risk of fuel leakage:		Compliant
Surface temperature:		Compliant
Electrical safety:		Compliant
Accessibility and cleanliness:		Compliant
Emission of combustion products:		
at nominal power / at reduced power (mg/m3 at 13% O2:)		293 / -
Maximum operating pressure:		N.A.
Flue gas temperature at nominal power:		239
Mechanical strength (to support the chimney/fuel):		Compliant
Nominal thermal power (kW)		7,7
Heat output to the environment (kW)		7,7
Heat output transferred to water (kW)		-
Energy efficiency at nominal heat output		86
Energy efficiency at reduced heat output		-
9 - The performance of the product identified in points 1 and 2 is in conformity with the declared performance in point 8.		
This declaration of performance is issued under the sole responsibility of the manufacturer identified in point 4.		
Arsiero, 19/01/2026		 Firma: THERMOROSSI S.P.A. Un Amministratore

ZEN SERIES

IT – SCHEDA PRODOTTO (UE 2015/1186) EN – PRODUCT FICHE (EU 2015/1186) FR – FICHE PRODUIT (UE 2015/1186) NL – PRODUCTGEGEVENSBLAD (EU 2015/1186) DE – PRODUKTDATENBLATT (EU 2015/1186) ES – FICHA DE PRODUCTO (UE 2015/1186)	IT – MARCHIO EN – BRAND FR – MARQUE NL – MERK DE – MARKE ES – MARCA	THERMOROSSI S.P.A.					
IT – MODELLO EN – MODEL FR – MODÈLE NL – MODEL DE – MODELL ES – MODELO		ZEN 4,8	ZEN 5,9	ZEN EVO6 7,7	ZEN W 4,8	ZEN W 5,9	ZEN EVO6 W 7,7
IT – CLASSE DI EFFICIENZA ENERGETICA EN – ENERGY EFFICIENCY CLASS FR – CLASSE D'EFFICACITÉ ÉNERGÉTIQUE NL – ENERGIE EFFICIENTIEKLASSE DE – ENERGIEEFFIZIENZKLASSE ES – CLASE DE EFICIENCIA ENERGÉTICA		A +	A +	A +	A +	A +	A +
IT – POTENZA TERMICA DIRETTA EN – DIRECT HEAT OUTPUT FR – PUISSANCE THERMIQUE DIRECTE NL – DIREKTE WARMTEAFGIFTE DE – DIREKTE WÄRMELEISTUNG ES – POTENCIA CALORÍFICA DIRECTA		4.8	5.9	7.7	4.8	5.9	7.7
IT – POTENZA TERMICA INDIRETTA EN – INDIRECT HEAT OUTPUT FR – PUISSANCE THERMIQUE INDIRECTE NL – INDIRECTE WARMTEAFGIFTE DE – INDIRECTE WÄRMELEISTUNG ES – POTENCIA CALORÍFICA INDIRECTA		-	-	-	-	-	-
IT – INDICE DI EFFICIENZA ENERGETICA EN – ENERGY EFFICIENCY INDEX FR – INDICE D'EFFICACITÉ ÉNERGÉTIQUE NL – ENERGIE-EFFICIENTIE-INDEX DE – ENERGIEEFFIZIENZINDEX ES – ÍNDICE DE EFICIENCIA ENERGÉTICA		115	115	114	115	115	115
IT – EFFICIENZA UTILE ALLA POTENZA TERMICA NOMINALE EN – USEFUL ENERGY EFFICIENCY AT NOMINAL HEAT OUTPUT FR – RENDEMENT UTILE À LA PUISSANCE THERMIQUE NOMINALE NL – NUTTIG RENDEMENT BIJ NOMINAAL VERMOGEN DE – BRENNSTOFF-ENERGIEEFFIZIENZ BEI NENNWÄRMELEISTUNG ES – EFICIENCIA ENERGÉTICA ÚTIL A POTENCIA CALORÍFICA NOMINAL		86.5	86.3	85.7	86.5	86.3	85.7
IT – EFFICIENZA UTILE AL CARICO MINIMO EN – USEFUL ENERGY EFFICIENCY AT MINIMUM LOAD FR – RENDEMENT UTILE À LA CHARGE MINIMALE NL – NUTTIG RENDEMENT BIJ MINIMALE WARMTEAFGIFTE DE – BRENNSTOFF-ENERGIEEFFIZIENZ BEI MINDESTLAST ES – EFICIENCIA ENERGÉTICA ÚTIL A CARGA MINIMA		-	-	-	-	-	-
IT – RISPETTARE TUTTE LE ISTRUZIONI RIPORTATE SUL MANUALE DI INSTALLAZIONE USO E MANUTENZIONE EN – ALWAYS FOLLOW THE INSTRUCTIONS PROVIDED IN THE OPERATING AND MAINTENANCE MANUAL FR – RESPECTER TOUTES LES INSTRUCTIONS CITÉES DANS LA NOTICE D'INSTALLATION, UTILISATION ET ENTRETIEN NL – VOLG ALTIJD DE INSTRUCTIES VAN DE INSTALLATIE- GERUİKERSHANDLEIDING EN DE ONDERHOUDSVOORSCHRIFTEN DE – ERFÜLLEN DIE ANWEISUNGEN DER INSTALLATION, NUTZUNG UND WARTUNG, DIE IN DEM ANLEITUNGSBUCH SIND ES – RESPECTAR LAS INSTRUCCIONES REPORTADAS EN EL MANUAL DE UTILIZACIÓN Y MANTENIMIENTO							

IT – SCHEDA PRODOTTO (UE 2015/1186) EN – PRODUCT FICHE (EU 2015/1186) FR – FICHE PRODUIT (UE 2015/1186) NL – PRODUCTGEGEVENSBLAD (EU 2015/1186) DE – PRODUKTDATENBLATT (EU 2015/1186) ES – FICHA DE PRODUCTO (UE 2015/1186)	IT – MARCHIO EN – BRAND FR – MARQUE NL – MERK DE – MARKE ES – MARCA	THERMOROSSI S.P.A.					
IT – MODELLO EN – MODEL FR – MODÈLE NL – MODEL DE – MODELL ES – MODELO		ZEN T 4,8	ZEN T 5,9	ZEN EVO6 T 7,7	ZEN O 4,8	ZEN O 5,9	ZEN EVO6 O 7,7
IT – CLASSE DI EFFICIENZA ENERGETICA EN – ENERGY EFFICIENCY CLASS FR – CLASSE D'EFFICACITÉ ÉNERGÉTIQUE NL – ENERGIE EFFICIENTIEKLASSE DE – ENERGIEEFFIZIENZKLASSE ES – CLASE DE EFICIENCIA ENERGÉTICA		A +	A +	A +	A +	A +	A +
IT – POTENZA TERMICA DIRETTA EN – DIRECT HEAT OUTPUT FR – PUISSANCE THERMIQUE DIRECTE NL – DIREKTE WARMTEAFGIFTE DE – DIREKTE WÄRMELEISTUNG ES – POTENCIA CALORÍFICA DIRECTA		4.8	5.9	7.7	4.8	5.9	7.7
IT – POTENZA TERMICA INDIRETTA EN – INDIRECT HEAT OUTPUT FR – PUISSANCE THERMIQUE INDIRECTE NL – INDIRECTE WARMTEAFGIFTE DE – INDIRECTE WÄRMELEISTUNG ES – POTENCIA CALORÍFICA INDIRECTA		-	-	-	-	-	-
IT – INDICE DI EFFICIENZA ENERGETICA EN – ENERGY EFFICIENCY INDEX FR – INDICE D'EFFICACITÉ ÉNERGÉTIQUE NL – ENERGIE-EFFICIENTIE-INDEX DE – ENERGIEEFFIZIENZINDEX ES – ÍNDICE DE EFICIENCIA ENERGÉTICA		115	115	115	115	115	115
IT – EFFICIENZA UTILE ALLA POTENZA TERMICA NOMINALE EN – USEFUL ENERGY EFFICIENCY AT NOMINAL HEAT OUTPUT FR – RENDEMENT UTILE À LA PUISSANCE THERMIQUE NOMINALE NL – NUTTIG RENDEMENT BIJ NOMINAAL VERMOGEN DE – BRENNSTOFF-ENERGIEEFFIZIENZ BEI NENNWÄRMELEISTUNG ES – EFICIENCIA ENERGÉTICA ÚTIL A POTENCIA CALORÍFICA NOMINAL		86.5	86.3	85.7	86.5	86.3	85.7
IT – EFFICIENZA UTILE AL CARICO MINIMO EN – USEFUL ENERGY EFFICIENCY AT MINIMUM LOAD FR – RENDEMENT UTILE À LA CHARGE MINIMALE NL – NUTTIG RENDEMENT BIJ MINIMALE WARMTEAFGIFTE DE – BRENNSTOFF-ENERGIEEFFIZIENZ BEI MINDESTLAST ES – EFICIENCIA ENERGÉTICA ÚTIL A CARGA MINIMA		-	-	-	-	-	-
IT – RISPETTARE TUTTE LE ISTRUZIONI RIPORTATE SUL MANUALE DI INSTALLAZIONE USO E MANUTENZIONE EN – ALWAYS FOLLOW THE INSTRUCTIONS PROVIDED IN THE OPERATING AND MAINTENANCE MANUAL FR – RESPECTER TOUTES LES INSTRUCTIONS CITÉES DANS LA NOTICE D'INSTALLATION, UTILISATION ET ENTRETIEN NL – VOLG ALTIJD DE INSTRUCTIES VAN DE INSTALLATIE- GERUİKERSHANDLEIDING EN DE ONDERHOUDSVOORSCHRIFTEN DE – ERFÜLLEN DIE ANWEISUNGEN DER INSTALLATION, NUTZUNG UND WARTUNG, DIE IN DEM ANLEITUNGSBUCH SIND ES – RESPECTAR LAS INSTRUCCIONES REPORTADAS EN EL MANUAL DE UTILIZACIÓN Y MANTENIMIENTO							

1 – INTRODUCTION

1.1 SAFETY GUIDELINES

This installation, use and maintenance manual is an integral and essential part of the product and must be kept by the user. Before commencing with the installation, use and maintenance of the product, carefully read this guide. All local, national and European regulations regarding the installation and use of the appliance must be met. The Manufacturer recommends carrying out all the maintenance operations described in this manual.

This appliance must only be used as intended by the manufacturer. Any other use is considered incorrect and therefore hazardous; consequently, the user shall be totally liable for the product if used improperly. Installation, maintenance and repairs must be carried out by professionally qualified personnel, certified according to Decree no. 37 of 22 January 2008 and in compliance with current regulations. In case of repairs only original spare parts supplied by the manufacturer must be used. Incorrect installation or poor maintenance can injure or damage people, animals or things; in this case the manufacturer shall be relieved of all responsibility. Any repairs or actions carried out on any systems, components or internal parts of the appliance, or on any of the accessories supplied with it, that are not specifically authorised by Thermorossi S.p.A, will automatically void the warranty and the manufacturer's responsibility, pursuant to Italian Decree no. 224 of the President of the Republic of 24/05/1988, art. 6/b. It is recommended to keep this manual in a safe place that is easily accessible to all users. If the manual is lost or deteriorated contact the manufacturer for a replacement copy. If the appliance is sold or transferred to another user ensure that the manual is handed over with it. The images and figures featured in this manual are purely illustrative and may differ from the actual product. Furthermore, Thermorossi reserves the right to apply changes to the content of this manual anytime and without notice.

Thermorossi S.p.A. retains copyright on this manual. These instructions may not be reproduced or communicated to third parties or used in any other way without the necessary authorisation.

1.2 SAFETY STANDARDS



PERSONAL INJURY

This safety symbol identifies important messages throughout the manual. Read the information marked by this symbol carefully as non-observance of this message can cause serious injury to persons using the appliance.



DAMAGE TO PROPERTY

This safety symbol identifies messages or instructions that are fundamental for the appliance and system to function well. To avoid serious damage to the appliance adhere strictly to these instructions.



INFORMATION

This symbol indicates important instructions for good functioning of the appliance. If this information is not correctly observed, the performance of the appliance will not be satisfactory.

1.3 RECOMMENDATIONS



Read this entire use and maintenance manual carefully before using the appliance as familiarity with the information and instructions contained in it are essential for the correct use of the appliance.

No responsibility will be accepted for damages, even to third parties, if the instructions for installation, use and maintenance of the appliance are not followed scrupulously. Modifications made to the appliance by the user or on his behalf, must be considered to be under his complete responsibility. The user is responsible for all the operations required for the maintenance of the appliance before and during its use.



Should you notice an excessive stagnation of flue gas in the combustion chamber, move away from the appliance immediately. In particular move away from the glass door of the combustion chamber. The excessive concentration of unburned gases could create an explosion that could break the glass. Do not open the loading door for any reason whatsoever and do not approach the product until the flame has died down. Contact a technical service centre to determine the causes. Do not turn on the appliance for any reason whatsoever following an event such as this.

1.4 GENERAL GUIDELINES

The product must not be used by children under the age of 8 years, by persons with physical, mental or sensorial impairments, or by persons who are not familiar with the instructions for use and maintenance of the product (the instructions are found in this manual). Children must not play with the appliance.

ATTENTION: before lighting check that the grate of the combustion chamber is clean and that the ash pan is clean. ATTENTION: it is strictly forbidden to open the door while the flame is still burning. During operation, the smoke exhaust pipes, door, handles and some parts of the appliance may reach extremely high temperatures: be careful not to touch them and also educate children to be aware of said risks. Do not expose your body to hot air for long, do not overheat the room in which the appliance is installed, as these actions could cause health problems. Do not expose plants or animals directly to the hot air flow as this could have noxious effects on them. Do not place non-heat resistant or inflammable or combustible objects in the vicinity of the appliance: keep them at a suitable distance. Do not place wet clothing to dry on the appliance. When using a clothes horse, keep at a suitable distance.



Attention: do not wet the appliance. Never vacuum hot ash: this could damage the vacuum device. All the cleaning operations described in this manual must be carried out when the appliance is cold.



Attention! Warning for Swiss users

Refer to the local cantonal regulations imposed by the Fire Department (Mandatory signalling and safety distances) and the Note concerning installation of heaters issued by the Association of Cantonal Fire Agencies (VKF - AEAI).

1.5 TRANSPORTATION AND STORAGE

TRANSPORTATION AND HANDLING

The appliance body must always be handled exclusively by means of trolleys. Take special care to protect the glass and all the fragile parts from mechanical impact which could damage them and their correct functioning.

STORAGE

The appliance must be stored in a humid-free environment and sheltered from the weather; avoid placing the appliance directly on the ground. The Company denies all responsibility for damage caused to wood floors or floors made from any other material. It is inadvisable to store the product for long periods of time.

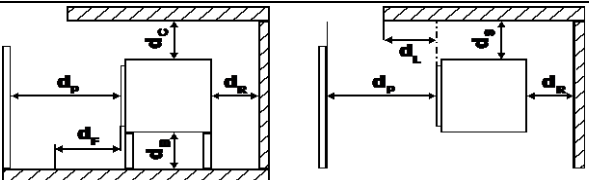
1.6 GUIDELINES FOR CORRECT DISPOSAL OF THE PRODUCT



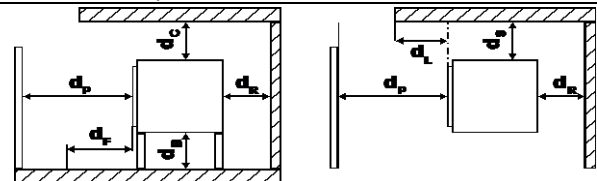
At the end of the product's useful life, it must be disposed of in compliance with applicable regulations and in respect of the environment, not with urban waste. The product must be consigned to designated sorted waste collection centres for the disposal of waste authorised by the local municipal councils. Correct disposal not only helps safeguard the environment but it also promotes recovery and recycling of the materials.

ZEN SERIES

2 – TECHNICAL CHARACTERISTICS

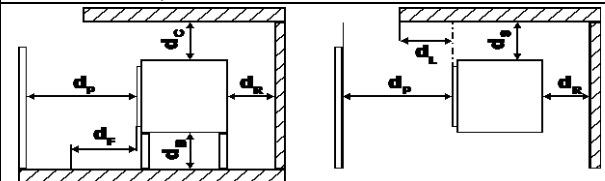
	PARAMETER	UNIT	ZEN 4,8	ZEN 5,9	ZEN EVO6 7,7
Firebox Power**	Pfoc	kW	5,5	6,8	9,0
Nominal heat output**	Pnom	kW	4,8	5,9	7,7
Heat output to the environment **	PSHnom	kW	4,8	5,9	7,7
Water heat output**	PWnom	kW	-	-	-
Heat output at part load**	Part	kW	-	-	-
Heat output to the environment at partial load **	PSHpart	kW	-	-	-
Water heat output at partial load**	PWpart	kW	-	-	-
Efficiency at rated thermal output**	ηnom	%	87	86	86
Efficiency with thermal power at partial load**	ηpart	%	-	-	-
Rated power consumption**	-	Kg/h	1,3	1,6	2,2
Reduced power consumption**	-	Kg/h	-	-	-
Tank capacity	-	Kg	-	-	-
Seasonal efficiency at nominal power	ηS	%	77	76	76
Energy efficiency index	EEI	-	116	115	115
CO emissions with 13% O2 at rated power**	CO _{nom} (13%O ₂)	mg/m ³	362	331	293
CO emissions with 13% O2 at partial load**	CO _{part} (13%O ₂)	mg/m ³	-	-	-
NOx emissions with 13% O2 at rated power**	NO _{xnom} (13%O ₂)	mg/m ³	96	89	88
NOx emissions with 13% O2 at partial load**	NO _{xpart} (13%O ₂)	mg/m ³	-	-	-
OGC emissions with 13% O2 at rated power**	OGC _{nom} (13%O ₂)	mg/m ³	65	53	35
OGC emissions with 13% O2 at partial load**	OGC _{part} (13%O ₂)	mg/m ³	-	-	-
Particulate emissions with 13% O2 at rated power**	PM _{nom} (13%O ₂)	mg/m ³	16	15	9
Particulate emissions with 13% O2 at partial load**	PM _{part} (13%O ₂)	mg/m ³	-	-	-
Minimum chimney draught at rated power	p _{nom}	Pa	12	12	12
Minimum chimney draught at partial load	p _{part}	Pa	12	12	12
Maximum permissible working pressure of water	p _W	bar	-	-	-
Water content of the appliance		l	-	-	-
Minimum safety distances from combustible materials:					
	d _R	mm	200	200	200
	d _S	mm	200	200	200
	d _C	mm	750	750	750
	d _P	mm	2000	2000	2000
	d _F	mm	1500	1500	1500
	d _L	mm	1500	1500	1500
	d _B	mm	100	100	100
Minimum distances from non-combustible walls:	d _{non}	mm	50	50	50
Electricity consumption in standby mode	e _{lSB}	kW	-	-	-
Electricity consumption at rated power	e _{lmax}	kW	-	-	-
Electricity Consumption at partial load	e _{lmin}	kW	-	-	-
Supply voltage, frequency	E, f	V, Hz	-	-	-
Maximum electrical power consumption	V _{max}	W	-	-	-
Exhaust gas temperature at rated power**	T _{snom}	°C	195	219	239
Partial load exhaust gas outlet temperature**	T _{spart}	°C	-	-	-
Chimney designation	T _{class}	-	T400G	T400G	T400G
Exhaust gas flow at rated power**	φ _{f,g nom}	g/s	3,7	4,0	5,1
Exhaust gas flow at partial load**	φ _{f,g part}	g/s	-	-	-
Continuous operation (CON) or intermittent operation (INT)	CON o INT	-	INT	INT	INT
Exhaust gas outlet diameter	d _{out}	mm	130	130	130
Type of appliance	TYPE	-	TYPE B	TYPE B	TYPE B
Air tightness loss	V _h	m ³ /h	-	-	-
Length, height, width	L, H, W	mm	408, 849, 613	408, 849, 613	408, 849, 613
Unloaded weight	m	Kg	132	132	132
Maximum weight that the chimney can bear	m _{chin}	Kg	0	0	0
Heatable volume*		m ³	130	159	208
Firebox dimensions (WxH)		mm	336x421	336x421	336x421
Hearth dimensions (WxHxD)		mm	364x448x251	364x448x251	364x448x251
Oven dimensions (WxHxD)		mm	-	-	-

ZEN SERIES

	PARAMETER	UNIT	ZEN W 4,8	ZEN W 5,9	ZEN EVO6 W 7,7
Firebox Power**	Pfoc	kW	5,5	6,8	9,0
Nominal heat output**	Pnom	kW	4,8	5,9	7,7
Heat output to the environment **	PSHnom	kW	4,8	5,9	7,7
Water heat output**	PWnom	kW	-	-	-
Heat output at part load**	Part	kW	-	-	-
Heat output to the environment at partial load **	PSHpart	kW	-	-	-
Water heat output at partial load**	PWpart	kW	-	-	-
Efficiency at rated thermal output**	η_{nom}	%	87	86	86
Efficiency with thermal power at partial load**	η_{part}	%	-	-	-
Rated power consumption**	-	Kg/h	1,3	1,6	2,2
Reduced power consumption**	-	Kg/h	-	-	-
Tank capacity	-	Kg	-	-	-
Seasonal efficiency at nominal power	η_S	%	77	76	76
Energy efficiency index	EEI	-	116	115	115
CO emissions with 13% O2 at rated power**	CONom (13%O ₂)	mg/m ³	362	331	293
CO emissions with 13% O2 at partial load**	COpart (13%O ₂)	mg/m ³	-	-	-
NOx emissions with 13% O2 at rated power**	NOxnom (13%O ₂)	mg/m ³	96	89	88
NOx emissions with 13% O2 at partial load**	NOxpart (13%O ₂)	mg/m ³	-	-	-
OGC emissions with 13% O2 at rated power**	OGCnom (13%O ₂)	mg/m ³	65	53	35
OGC emissions with 13% O2 at partial load**	OGCpart (13%O ₂)	mg/m ³	-	-	-
Particulate emissions with 13% O2 at rated power**	PMnom (13%O ₂)	mg/m ³	16	15	9
Particulate emissions with 13% O2 at partial load**	PMpart (13%O ₂)	mg/m ³	-	-	-
Minimum chimney draught at rated power	pnom	Pa	12	12	12
Minimum chimney draught at partial load	ppart	Pa	12	12	12
Maximum permissible working pressure of water	pW	bar	-	-	-
Water content of the appliance	l	-	-	-	-
Minimum safety distances from combustible materials:	dR	mm	200	200	200
	dS	mm	200	200	200
	dC	mm	750	750	750
	dP	mm	2000	2000	2000
	dF	mm	1500	1500	1500
	dL	mm	1500	1500	1500
	dB	mm	100	100	100
Minimum distances from non-combustible walls:	dnon	mm	50	50	50
Electricity consumption in standby mode	eISB	kW	-	-	-
Electricity consumption at rated power	elmax	kW	-	-	-
Electricity Consumption at partial load	elmin	kW	-	-	-
Supply voltage, frequency	E, f	V, Hz	-	-	-
Maximum electrical power consumption	Vmax	W	-	-	-
Exhaust gas temperature at rated power**	Tsnom	°C	195	219	239
Partial load exhaust gas outlet temperature**	Tspart	°C	-	-	-
Chimney designation	Tclass	-	T400G	T400G	T400G
Exhaust gas flow at rated power**	$\phi_{f,g nom}$	g/s	3,7	4,0	5,1
Exhaust gas flow at partial load**	$\phi_{f,g part}$	g/s	-	-	-
Continuous operation (CON) or intermittent operation (INT)	CON o INT	-	INT	INT	INT
Exhaust gas outlet diameter	dout	mm	130	130	130
Type of appliance	TYPE	-	TYPE B	TYPE B	TYPE B
Air tightness loss	Vh	m ³ /h	-	-	-
Length, height, width	L, H, W	mm	405, 1075, 613	405, 1075, 613	405, 1075, 613
Unloaded weight	m	Kg	163	163	163
Maximum weight that the chimney can bear	mchin	Kg	0	0	0
Heatable volume*		m ³	130	159	208
Firebox dimensions (WxH)		mm	336x421	336x421	336x421
Hearth dimensions (WxHxD)		mm	364x448x251	364x448x251	364x448x251
Oven dimensions (WxHxD)		mm	-	-	-

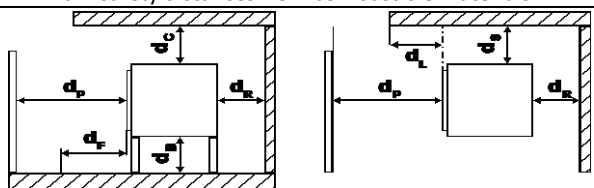
ZEN SERIES

	PARAMETER	UNIT	ZEN T 4,8	ZEN T 5,9	ZEN EVO6 T 7,7
Firebox Power**	Pfoc	kW	5,5	6,8	9,0
Nominal heat output**	Pnom	kW	4,8	5,9	7,7
Heat output to the environment **	PSHnom	kW	4,8	5,9	7,7
Water heat output**	PWnom	kW	-	-	-
Heat output at part load**	Part	kW	-	-	-
Heat output to the environment at partial load **	PSHpart	kW	-	-	-
Water heat output at partial load**	PWpart	kW	-	-	-
Efficiency at rated thermal output**	η_{nom}	%	87	86	86
Efficiency with thermal power at partial load**	η_{part}	%	-	-	-
Rated power consumption**	-	Kg/h	1,3	1,6	2,2
Reduced power consumption**	-	Kg/h	-	-	-
Tank capacity	-	Kg	-	-	-
Seasonal efficiency at nominal power	η_S	%	77	76	76
Energy efficiency index	EEI	-	116	115	115
CO emissions with 13% O2 at rated power**	CO _{nom} (13%O ₂)	mg/m ³	362	331	293
CO emissions with 13% O2 at partial load**	CO _{part} (13%O ₂)	mg/m ³	-	-	-
NOx emissions with 13% O2 at rated power**	NO _{xnom} (13%O ₂)	mg/m ³	96	89	88
NOx emissions with 13% O2 at partial load**	NO _{xpart} (13%O ₂)	mg/m ³	-	-	-
OGC emissions with 13% O2 at rated power**	OGC _{nom} (13%O ₂)	mg/m ³	65	53	35
OGC emissions with 13% O2 at partial load**	OGC _{part} (13%O ₂)	mg/m ³	-	-	-
Particulate emissions with 13% O2 at rated power**	PM _{nom} (13%O ₂)	mg/m ³	16	15	9
Particulate emissions with 13% O2 at partial load**	PM _{part} (13%O ₂)	mg/m ³	-	-	-
Minimum chimney draught at rated power	p _{nom}	Pa	12	12	12
Minimum chimney draught at partial load	p _{part}	Pa	12	12	12
Maximum permissible working pressure of water	p _W	bar	-	-	-
Water content of the appliance		l	-	-	-
Minimum safety distances from combustible materials:	d _R	mm	200	200	200
	d _S	mm	200	200	200
	d _C	mm	750	750	750
	d _P	mm	2000	2000	2000
	d _F	mm	1500	1500	1500
	d _L	mm	1500	1500	1500
	d _B	mm	100	100	100
Minimum distances from non-combustible walls:	d _{non}	mm	50	50	50
Electricity consumption in standby mode	e _{lSB}	kW	-	-	-
Electricity consumption at rated power	e _{lmax}	kW	-	-	-
Electricity Consumption at partial load	e _{lmin}	kW	-	-	-
Supply voltage, frequency	E, f	V, Hz	-	-	-
Maximum electrical power consumption	V _{max}	W	-	-	-
Exhaust gas temperature at rated power**	T _{snom}	°C	195	219	239
Partial load exhaust gas outlet temperature**	T _{spart}	°C	-	-	-
Chimney designation	Tclass	-	T400G	T400G	T400G
Exhaust gas flow at rated power**	$\phi_{f,g nom}$	g/s	3,7	4,0	5,1
Exhaust gas flow at partial load**	$\phi_{f,g part}$	g/s	-	-	-
Continuous operation (CON) or intermittent operation (INT)	CON o INT	-	INT	INT	INT
Exhaust gas outlet diameter	d _{out}	mm	130	130	130
Type of appliance	TYPE	-	TYPE B	TYPE B	TYPE B
Air tightness loss	V _h	m ³ /h	-	-	-
Length, height, width	L, H, W	mm	444, 1326, 613	444, 1326, 613	444, 1326, 613
Unloaded weight	m	Kg	220	220	220
Maximum weight that the chimney can bear	m _{chin}	Kg	0	0	0
Heatable volume*		m ³	130	159	208
Firebox dimensions (WxH)		mm	336x421	336x421	336x421
Hearth dimensions (WxHxD)		mm	364x448x251	364x448x251	364x448x251
Oven dimensions (WxHxD)		mm	-	-	-



ZEN SERIES

	PARAMETER	UNIT	ZEN O 4,8	ZEN O 5,9	ZEN EVO6 O 7,7
Firebox Power**	Pfoc	kW	5,5	6,8	9,0
Nominal heat output**	Pnom	kW	4,8	5,9	7,7
Heat output to the environment **	PSHnom	kW	4,8	5,9	7,7
Water heat output**	PWnom	kW	-	-	-
Heat output at part load**	Part	kW	-	-	-
Heat output to the environment at partial load **	PSHpart	kW	-	-	-
Water heat output at partial load**	PWpart	kW	-	-	-
Efficiency at rated thermal output**	η_{nom}	%	87	86	86
Efficiency with thermal power at partial load**	η_{part}	%	-	-	-
Rated power consumption**	-	Kg/h	1,3	1,6	2,2
Reduced power consumption**	-	Kg/h	-	-	-
Tank capacity	-	Kg	-	-	-
Seasonal efficiency at nominal power	η_S	%	77	76	76
Energy efficiency index	EEI	-	116	115	115
CO emissions with 13% O2 at rated power**	CONom (13%O ₂)	mg/m ³	362	331	293
CO emissions with 13% O2 at partial load**	COPart (13%O ₂)	mg/m ³	-	-	-
NOx emissions with 13% O2 at rated power**	NOxnom (13%O ₂)	mg/m ³	96	89	88
NOx emissions with 13% O2 at partial load**	NOxpart (13%O ₂)	mg/m ³	-	-	-
OGC emissions with 13% O2 at rated power**	OGCnom (13%O ₂)	mg/m ³	65	53	35
OGC emissions with 13% O2 at partial load**	OGCpart (13%O ₂)	mg/m ³	-	-	-
Particulate emissions with 13% O2 at rated power**	PMnom (13%O ₂)	mg/m ³	16	15	9
Particulate emissions with 13% O2 at partial load**	PMpart (13%O ₂)	mg/m ³	-	-	-
Minimum chimney draught at rated power	pnom	Pa	12	12	12
Minimum chimney draught at partial load	ppart	Pa	12	12	12
Maximum permissible working pressure of water	pW	bar	-	-	-
Water content of the appliance		l	-	-	-
Minimum safety distances from combustible materials:	dR	mm	200	200	200
	dS	mm	200	200	200
	dC	mm	750	750	750
	dP	mm	2000	2000	2000
	dF	mm	1500	1500	1500
	dL	mm	1500	1500	1500
	dB	mm	100	100	100
Minimum distances from non-combustible walls:	dnon	mm	50	50	50
Electricity consumption in standby mode	eISB	kW	-	-	-
Electricity consumption at rated power	eImax	kW	-	-	-
Electricity Consumption at partial load	eImin	kW	-	-	-
Supply voltage, frequency	E, f	V, Hz	-	-	-
Maximum electrical power consumption	Vmax	W	-	-	-
Exhaust gas temperature at rated power**	Tsnom	°C	195	219	239
Partial load exhaust gas outlet temperature**	Tspart	°C	-	-	-
Chimney designation	Tclass	-	T400G	T400G	T400G
Exhaust gas flow at rated power**	$\varphi_{f,g nom}$	g/s	3,7	4,0	5,1
Exhaust gas flow at partial load**	$\varphi_{f,g part}$	g/s	-	-	-
Continuous operation (CON) or intermittent operation (INT)	CON o INT	-	INT	INT	INT
Exhaust gas outlet diameter	dout	mm	130	130	130
Type of appliance	TYPE	-	TYPE B	TYPE B	TYPE B
Air tightness loss	Vh	m ³ /h	-	-	-
Length, height, width	L, H, W	mm	405, 1436, 613	405, 1436, 613	405, 1436, 613
Unloaded weight	m	Kg	206	206	206
Maximum weight that the chimney can bear	mchin	Kg	0	0	0
Heatable volume*		m ³	130	159	208
Firebox dimensions (WxH)		mm	336x421	336x421	336x421
Hearth dimensions (WxHxD)		mm	364x448x251	364x448x251	364x448x251
Oven dimensions (WxHxD)		mm	321x289x240	321x289x240	321x289x240



ZEN SERIES

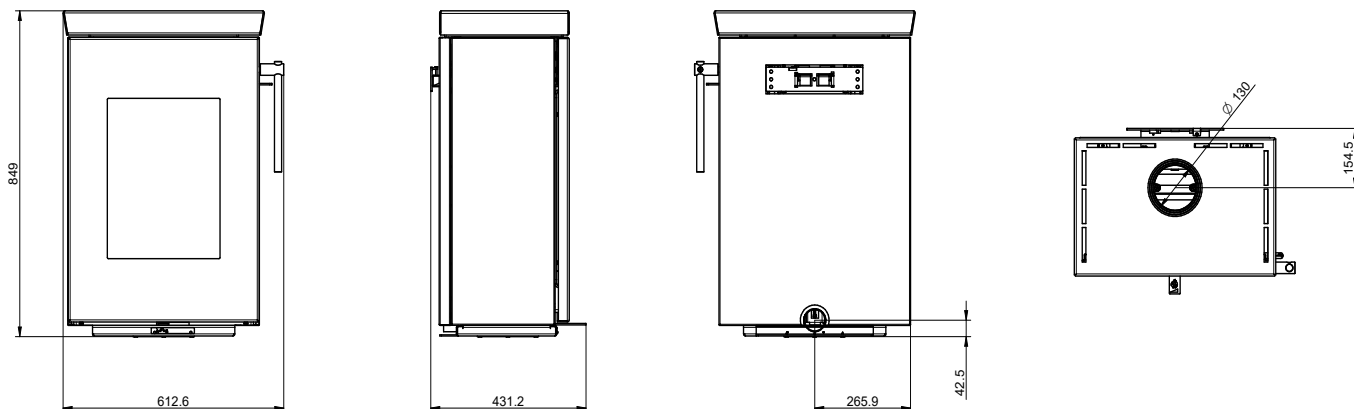
**** IMPORTANT:** It is important to take into consideration the fact that the heatable volume is greatly influenced by the insulation of the house (energy class of the building) and by the position of the appliance in the planimetry of the house, therefore the indicated values may vary, even significantly.

*** ATTENTION:** The indicated values were obtained using beechwood logs (2 logs) with thermal value less than 15,604 kJ/kg and moisture content less than 15%. The use of poorer quality firewood than that specified results in lower yield and lower efficiency, and produces more ash. Moreover, the glass on the feed door will become dirtier sooner.

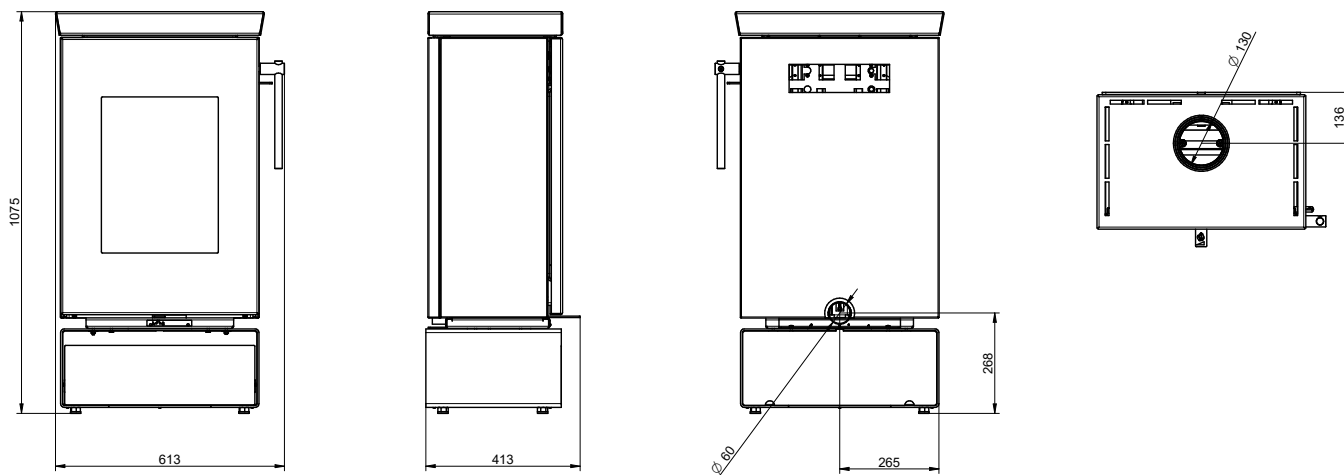
***** It is strictly prohibited to load a greater quantity of fuel than that specified in the table. The warranty will not cover damages caused by the prolonged exposure of the appliance to temperatures that are too high.**

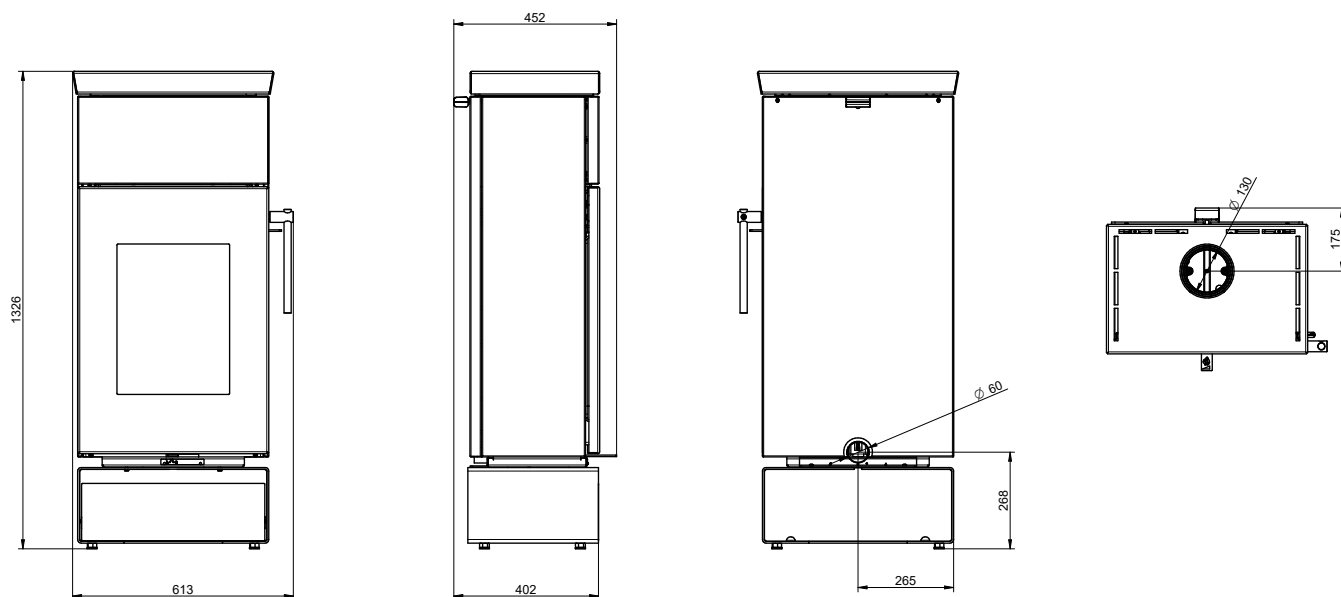
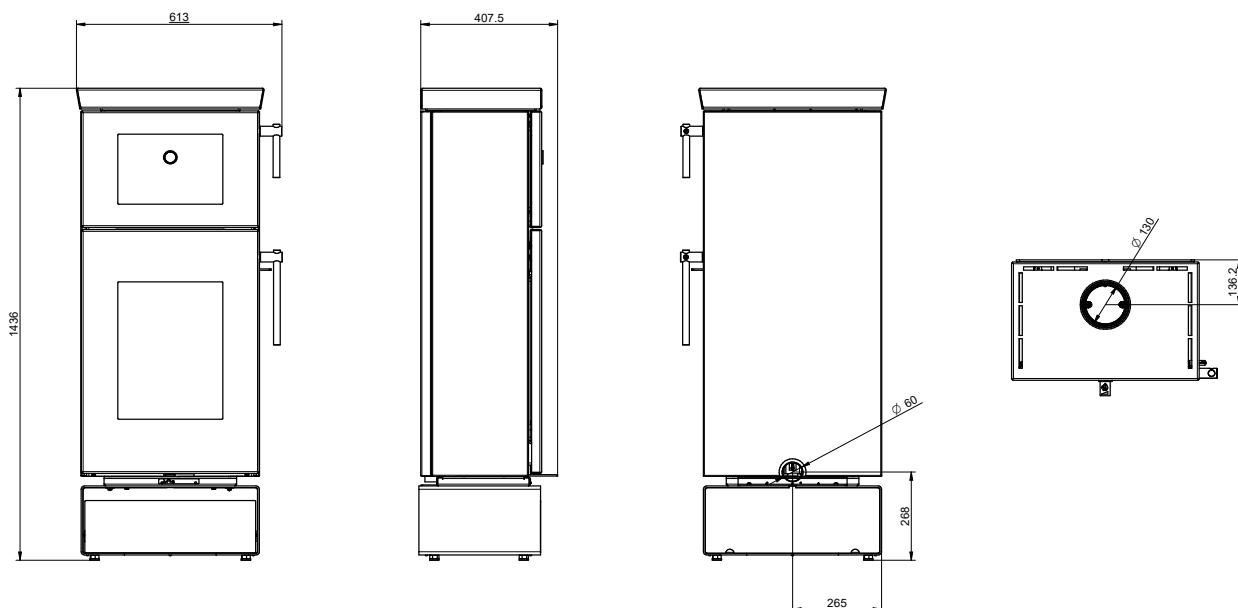
2.1 DIMENSIONS

ZEN



ZEN W



ZEN T**ZEN O****3 – GENERAL DESCRIPTION****3.1 THE FUEL**

The fuel for this appliance is ordinary wood billets with a moisture content between 10% and 20% and with a thermal value of 10,400 to 16,400 KJ/kg. We recommend using beech or common hornbeam. If using wood with a lower moisture content or with a higher thermal value, the heat produced by the stove will be greater.

The awareness and use of the right fuel are important aspects to be observed in order to ensure correct operation and long service life of the appliance. To this end we recommend using only dry, well-seasoned wood. We recommend against using wet wood or wood that has been seasoned for less than 18/20 months, as this could be the cause of malfunctions and the formation of tarry deposits that could permanently blacken the walls of the combustion chamber.

We recommend using logs of max 250 mm long (max recommended section $\varnothing 80$ mm) and loading a maximum of 2-3 logs.

ZEN SERIES

MAXIMUM PERMITTED FUEL FEED:



- 1.28 Kg for ZEN 4,8 - ZEN W 4,8 - ZEN T 4,8 - ZEN O 4,8
- 1.57 Kg for ZEN 5,9 - ZEN W 5,9 - ZEN T 5,9 - ZEN O 5,9
- 2.15 Kg for ZEN EVO6 7,7 – ZEN EVO6 W 7,7 - ZEN EVO6 T 7,7 – ZEN EVO6 O 7,7

THE FUEL FEED INTERVALS MUST NOT BE LESS THAN 1 HR.

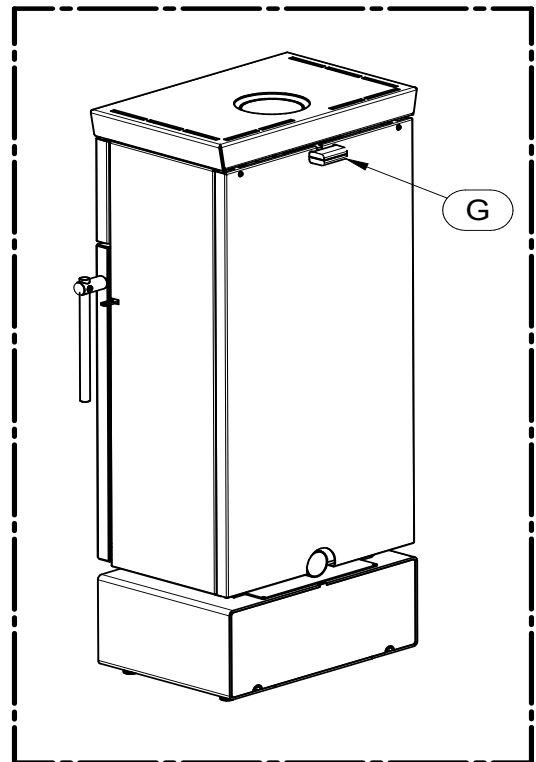
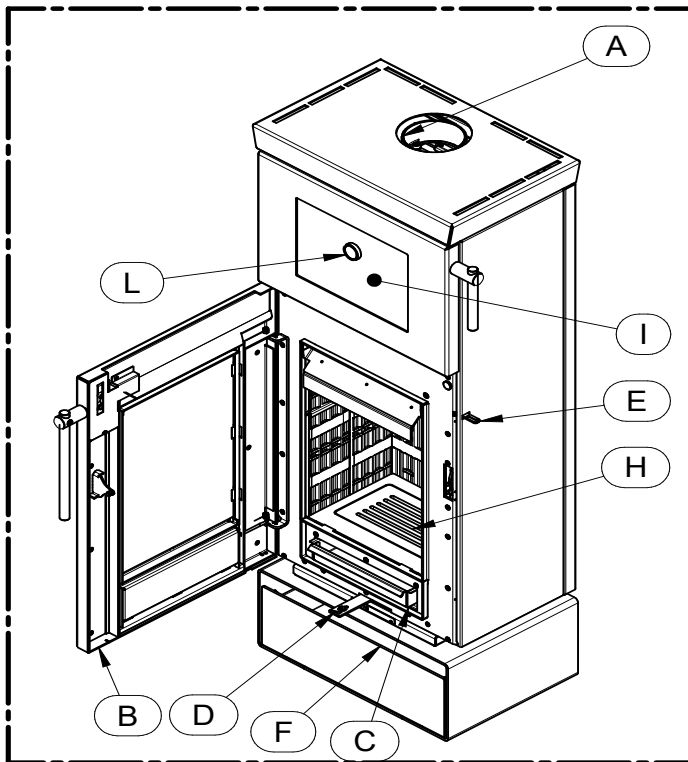


LOADING A LARGER QUANTITY OF FUEL OR LOADING SEVERAL TIMES IN AN HOUR EXPOSES THE COMPONENTS OF THE APPLIANCE TO VERY HIGH TEMPERATURES. FOR THIS REASON, THE WARRANTY WILL NOT COVER ANY DAMAGE CAUSED BY PROLONGED EXPOSURE OF THE APPLIANCE TO THESE TEMPERATURES.



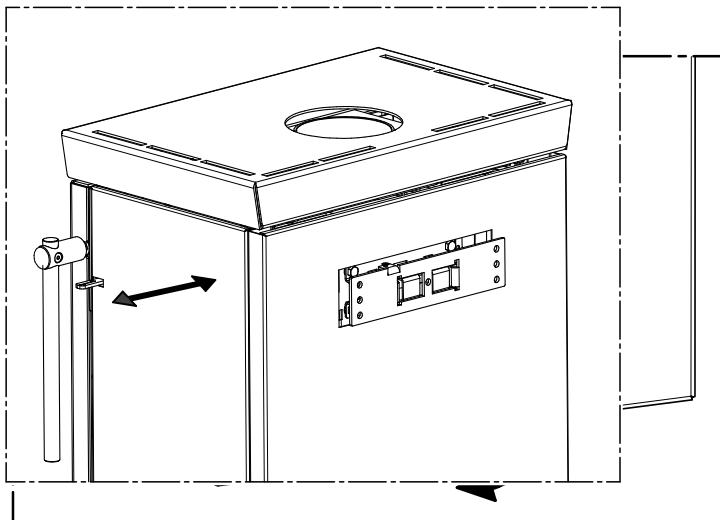
The use of fuel that does not comply with the above specifications or the use of different substances or fuels will immediately void the appliance warranty. The appliance must not be used as an incinerator, and it is prohibited to use any liquid or gas fuel. Do not overload the stove with excessive quantities of fuel; adhere strictly to the maximum declared consumption.

3.2 MAIN COMPONENTS



KEY

A	Smoke exhaust	F	Tool storage compartment (only ZEN W – T – O)
B	Feed door	G	Damper regulator (only ZEN T)
C	Ash pan	H	Combustion chamber grate
D	Primary air control	I	Oven (only ZEN O)
E	Secondary air control	L	Oven thermometer (only ZEN O)

ZEN SERIES**D – Primary air control**

It is used to regulate the primary air inflow. The primary air passes through the grate of the firebox and fuels the combustion to determine its power and speed. Move the control to the left to reduce the air inflow. Whereas to increase the inflow air, move it to the right.



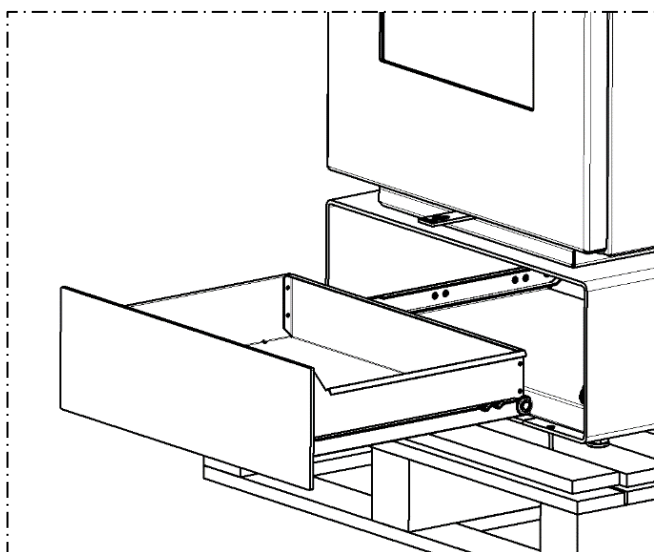
ATTENTION: when the appliance is operating the temperature of the control is very high, so take care not to touch it. The glove provided must be worn when handling it.

E – Secondary air control

Controls the secondary air inflow which preheats as it passes through the holes in the back of the combustion chamber and facilitates triggering the second combustion. Move the control outward to reduce the air inflow. Whereas to increase the inflow air, move it inwards.



ATTENTION: when the appliance is operating the temperature of the control is very high, so take care not to touch it. The glove provided must be worn when handling it.

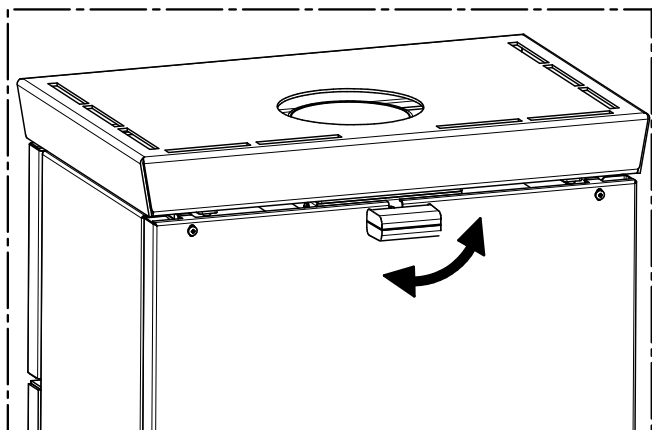
F – Tool storage compartment

Models ZEN W, ZEN T and ZEN O feature a practical tool storage compartment.



It is strictly prohibited to use the tool storage compartment for storing combustible or flammable material. The temperature inside can reach very high levels.

G – Damper regulator (only ZEN T)



It keeps the heat inside the heat exchanger after the fuel is finished, thus limiting the dissipation of heat by the flue outlet. Turn the lever to the vertical position to open the regulator (at 12 o'clock position). To close it, turn the lever to the horizontal position.



ATTENTION: when the appliance is operating the temperature of the control is very high, so take care not to touch it. The glove provided must be worn when handling it.

L – Thermometer

ZEN O models are fitted with a thermometer that indicates the oven temperature.



THE THERMOMETER GIVES AN APPROXIMATE, NOT PERFECTLY RELIABLE, READING OF THE TEMPERATURE. THE TEMPERATURE IS STRICTLY RELATED TO THE QUALITY OF THE FUEL, THE FLUE OUTLET DRAUGHT AND OTHER FACTORS, AND MAY EXPERIENCE SUDDEN VARIATIONS. THEREFORE, ALWAYS VISUALLY CHECK THE FOOD FOR DONENESS.

4 – INSTALLATION

4.1 APPLIANCE LOCATION



Follow the general guidelines set out in paragraph 1.1 to the letter. Be aware that the flooring of the installation site must be capable of withstanding the weight of the appliance. If this requirement is not met, it is obligatory to adopt countermeasures (for example, load distribution plate ...).



ATTENTION: the room where the appliance is installed must be well ventilated and free from humidity and salty air. A high level of humidity or saltiness in the room can lead to the onset of rust or corrosion which will not be covered by warranty. The appliance must be positioned at a minimum safe distance from walls and furnishings. If inflammable materials are located in the vicinity of the appliance (e.g.: matchboarding, furniture, curtains, pictures and paintings, sofas) the minimum distances indicated in the technical specifications table must be observed.



If the flooring is made of wood or any other combustible material, it is mandatory to install a fireproof floor protector plate between the appliance and the floor. Installation in the vicinity of heat-sensitive materials is only permitted if suitable insulating and fireproof protection is placed between the object and the appliance (ref. Uni 10683). Failure to observe this instruction will immediately invalidate the warranty.

The installer must issue a certificate of conformity for the installation which includes the design plans and the following documents:

- a) Report containing the type of materials utilised.
- b) Project as defined in Article 5 of Ministerial Decree n° 37 22 January 2008.
- d) References to existing partial or previous declarations of conformity (e.g. flue outlet).
- e) Copy of the certificate of recognition of the professional technical qualifications.



These documents must, by law, be kept together with the installation, use and maintenance manual. The customer is responsible for verifying, directly or indirectly, that the installation has been carried out to perfection in accordance with relevant regulations in force. Do not install the appliance in unsuitable rooms such as bedrooms, bathrooms, garages and/or lock-ups. It is forbidden to place the appliance in environments with an explosive atmosphere.

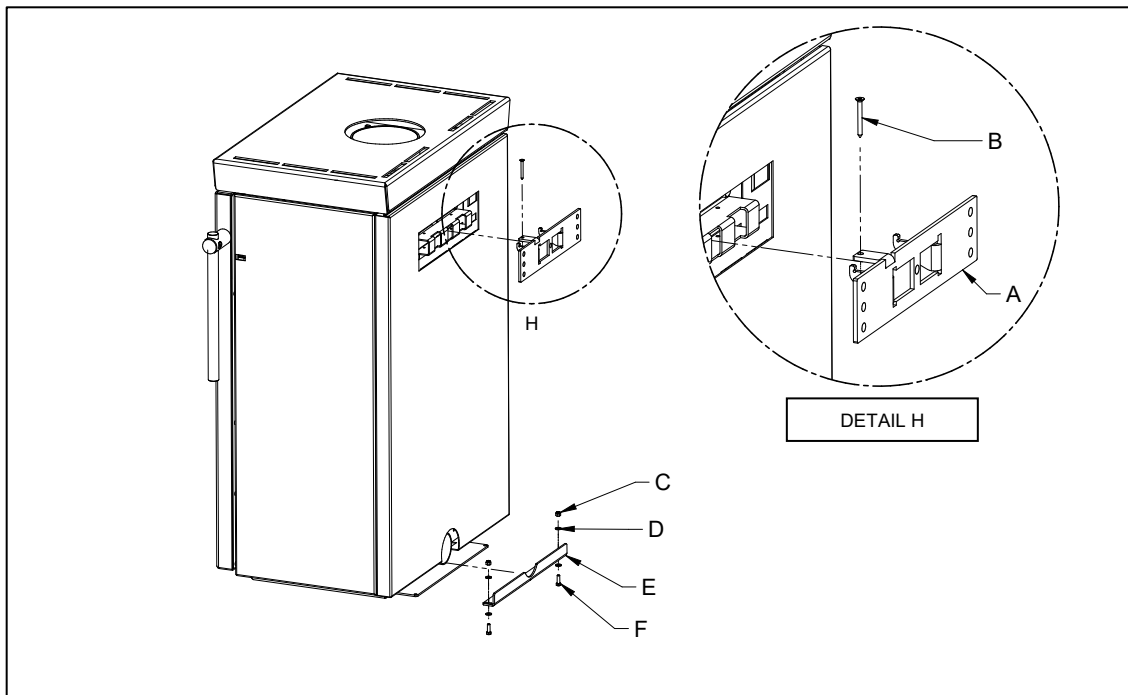


ATTENTION, the appliance is not simply a household appliance: if the instructions set out in this manual are not followed and/or if installation of the appliance is not executed perfectly and/or the provisions in force are not strictly complied with, dangerous conditions could arise for both objects and persons. It is the user's responsibility to verify the presence, in the room, of a vent necessary for supplying oxygen to the appliance. It is strictly prohibited to install the appliance as inset or next to furniture.

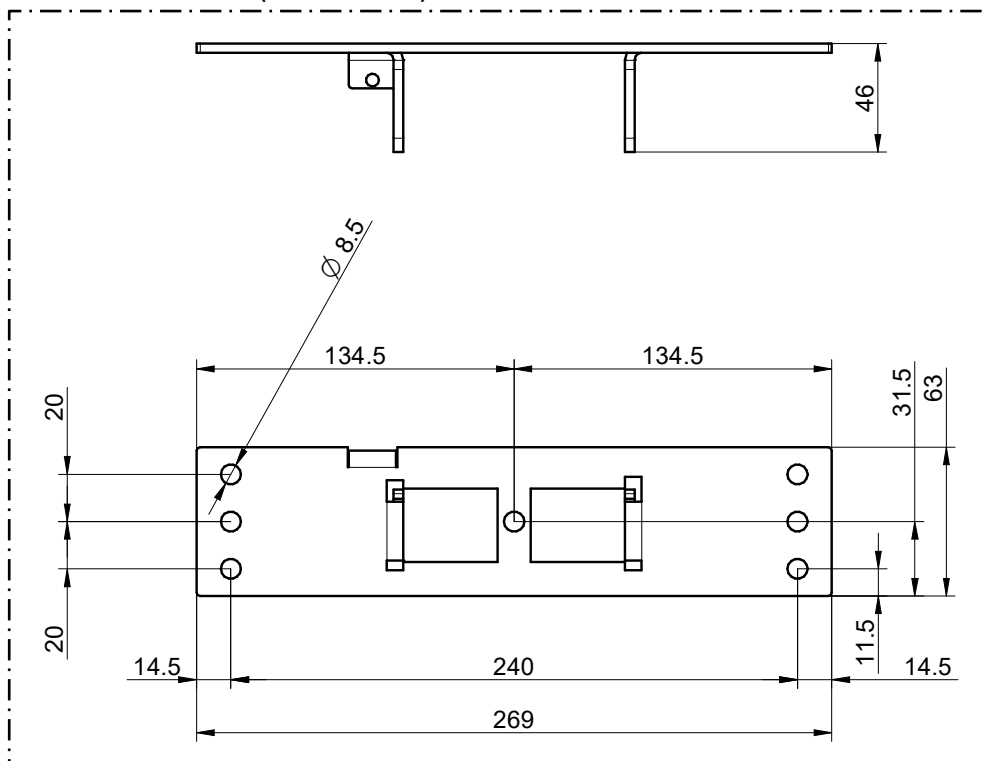
ZEN SERIES

4.2 WALL MOUNT INSTALLATION

The appliance is supplied standard with a wall mount bracket. To fit the appliance on a wall, remove the bracket (A) by loosening and removing the screw (B). Fix the bracket on the wall and hang the appliance on the wall mount bracket. It is recommended to push it firmly against the wall. To guarantee a perfectly flush wall-mount, adjust bracket (E) outwards or inwards using screws, washers and nuts (F, D, C). When completely flush, refit and tighten the previously removed screw (B).



ATTENTION: ONLY THE FOLLOWING MODELS CAN BE FASTENED TO THE WALL:
ZEN 4,8 - ZEN 5,9 - ZEN EVO6 7,7
THE OTHER MODELS (ZEN W - T - O) CANNOT BE FASTENED TO THE WALL.



ATTENTION: considering the weight of the appliance, it is recommended to use anchor bolts suitable for the type of support to which the appliance is mounted (minimum 4 M8, metal type). Make sure that the support can easily sustain the whole weight of the appliance.

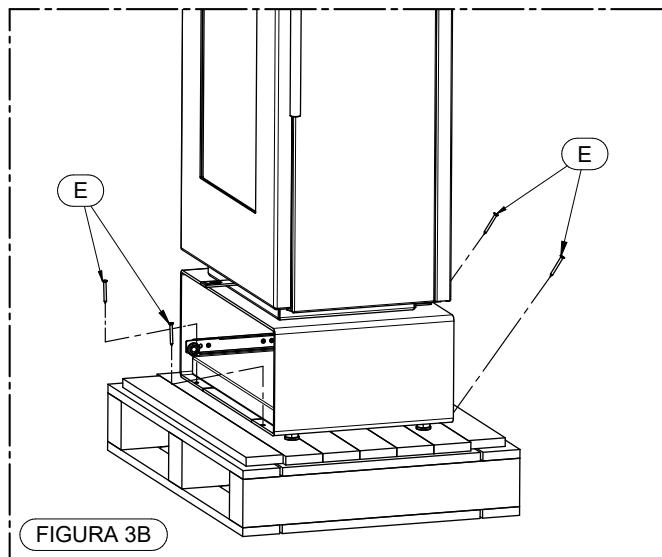
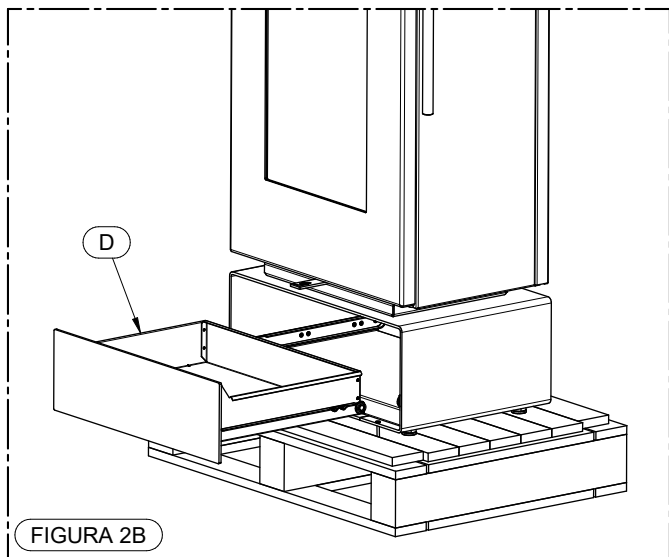
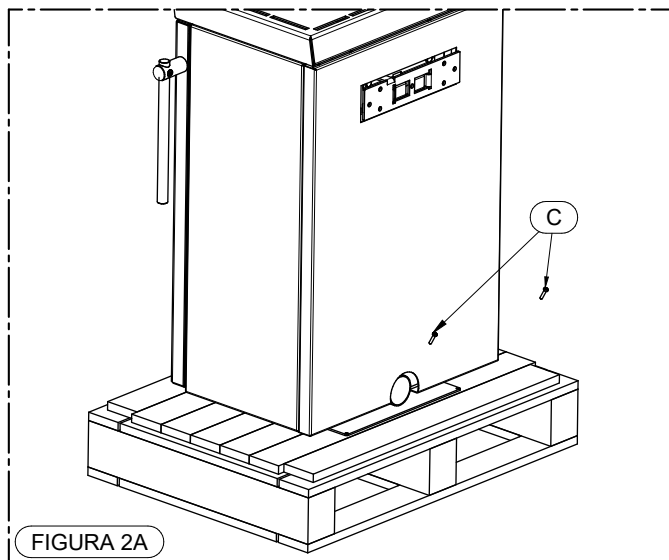
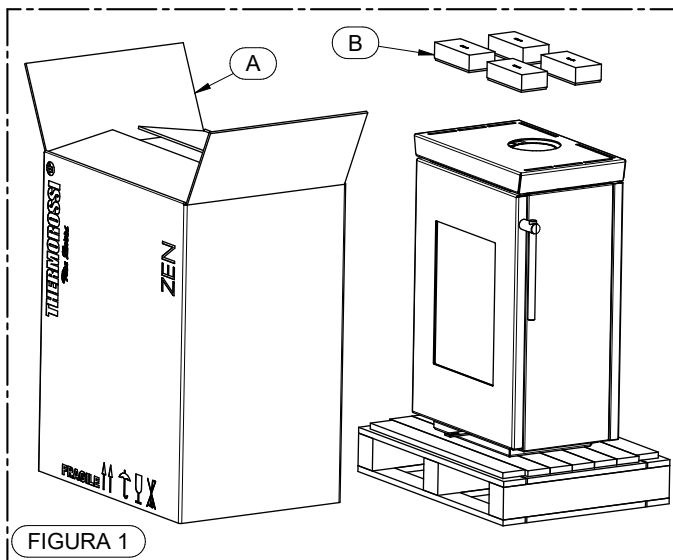


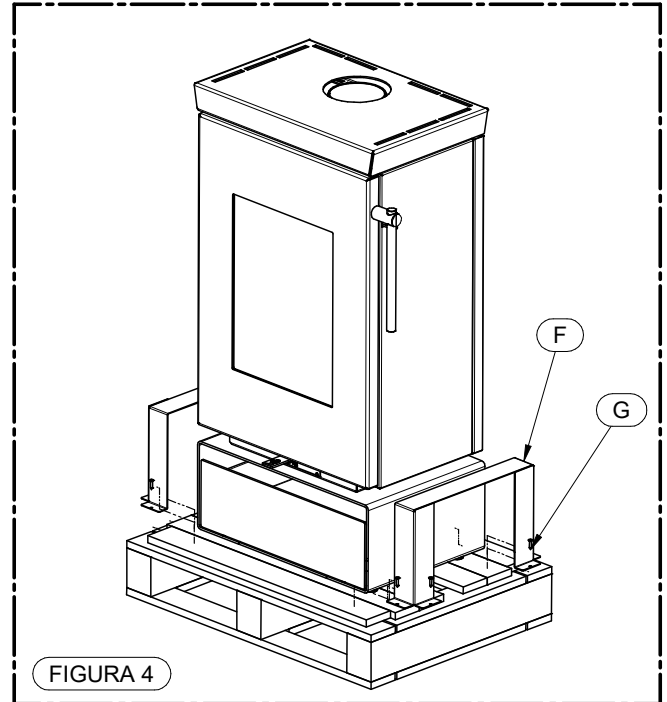
ATTENTION: make sure that the wall plaster and finish can resist a continuous operating temperature of at least 160°C. Given the working temperatures of the appliance, it is normal for the wall to blacken, particularly if it is a light colour, after a season of operation.

4.3 UNPACKING THE APPLIANCE

The appliance is supplied packaged on a pallet; always use trolleys to move the appliance and the appliance must always be in a vertical position. To remove the appliance from the pallet, proceed as follows:

- Remove the cardboard (A) and blocks (B).
- For the ZEN model, remove the screws (C) that secure the appliance to the pallet (Figure 2A).
- For models ZEN W, ZEN T, ZEN O, pull out the drawer (D) and remove the screws (E) that secure the appliance to the pallet (Figure 3B). Then remove the screws (G) and remove the brackets (F) (Figure 4).
- Check that all the mobile parts are in place; remove the labels and stickers from the glass.





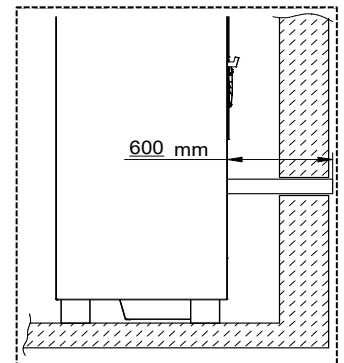
IMPORTANT: HANDLE THE APPLIANCE WITH CARE AS DAMAGE CAUSED DURING THE UNPACKING OPERATION WILL NOT BE COVERED BY THE WARRANTY.

4.4 DRAWING COMBUSTION AIR FROM OUTSIDE

The appliance is fitted with an intake to enable drawing in the combustion air directly from outside the building. Connect the air intake on the appliance to the exterior of the building with suitable piping, capable of resisting high temperatures. The pipe's length must be maximum 600 mm.



ATTENTION: the suction duct must be protected with a grid and never be clogged. The protection grid, if installed, must be inspected and cleaned on a monthly basis. Moreover, a suitable windbreak fitting must be installed in the duct's terminal.



5 – CASINGS

The appliance is supplied with pre-mounted casing. We recommend cleaning the metal only with a dry or slightly moist microfibre cloth. Use only non-abrasive cloths on a cold appliance.

6 – USE OF THE APPLIANCE



The appliance, when operating, is hot to the touch, particularly the door of the combustion chamber: consequently, take care not to touch any surface. Your appliance has obtained the CE marking. The product must not be used by children, by persons with physical or mental impairments, by persons who are not familiar with the instructions for use and maintenance of the product (the instructions are found in this installation, use and maintenance manual). During the heating and cooling stages, the appliance is exposed to considerable thermal expansions that can cause light expansion sounds. This is a normal process and is not a defect of the product.



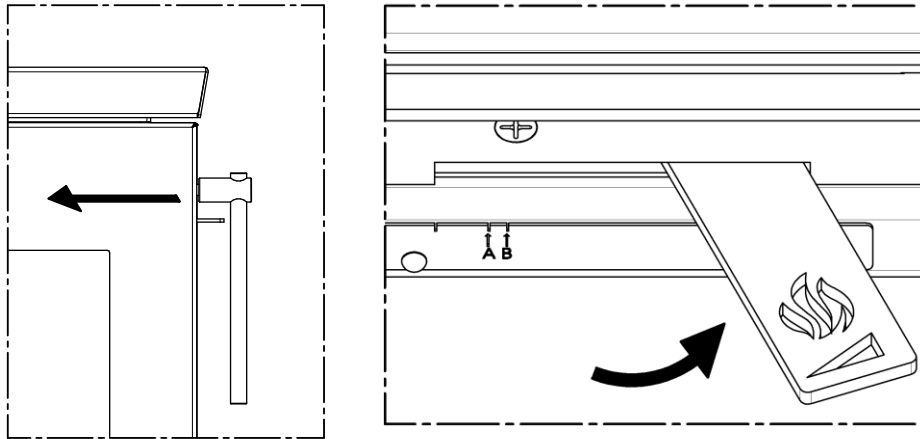
ATTENTION: the door must always remain shut tight when the appliance is operating. While the appliance is in operation, the smoke exhaust pipes can reach extremely high temperatures: do not touch them! It is strictly forbidden to use any type of liquid or gaseous fuel to light the appliance. Do not place non-heat resistant or inflammable or combustible objects in the vicinity of the appliance: keep them at a suitable distance. Do not place wet clothing to dry on the appliance. When using a clothes horse, keep at a suitable distance. During the first lighting it is quite normal for the paint on the product to give off a slight smell as it completes its drying process. It is recommended to ventilate the room until the paint has completely dried.

6.1 LIGHTING

To start up the stove, proceed as follows:

- 1) Open the secondary air completely by pushing the regulator inwards as far as it will go (see figure below on the left).
- 2) Open the primary air completely by pushing the regulator to the right as far as it will go (see figure below on the right).

ZEN SERIES



ATTENTION: BEFORE LIGHTING THE APPLIANCE, MAKE SURE THAT THE GRATE IN THE FIREBOX IS CLEAN, AND THAT THERE IS NO ASH OR COMBUSTION RESIDUES.

- 3) Open the firebox door, place some kindling in the firebox and light it with paper or any other tinder available on the market, then close the firebox door (see figure below).



IT IS PROHIBITED TO USE ANY LIQUIDS OR GASES SUCH AS ALCOHOL, PETROL, ETC. TO LIGHT OR REKINDLE THE FIRE.



- 4) Do not leave the appliance unsupervised while the lighting process is still in progress (roughly 30 minutes to complete the process) or whenever there are abundant burning embers present.



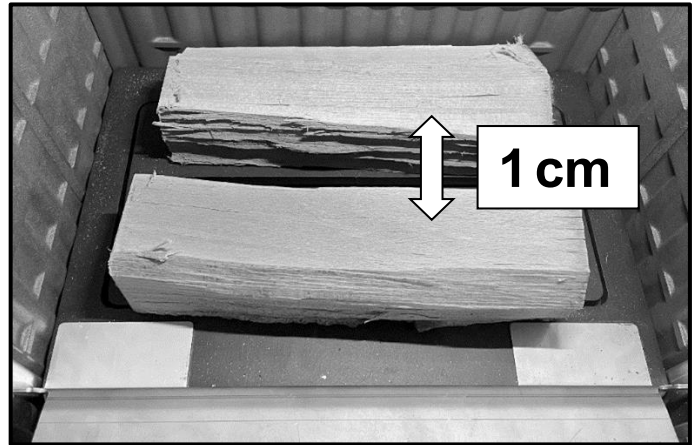
ATTENTION: THE DOOR OF THE COMBUSTION CHAMBER MUST ONLY BE OPENED WITH THE APPROPRIATE GLOVE FOR THE LIGHTING OPERATIONS, FOR STOKING AND FOR REMOVING RESIDUAL MATERIAL. DURING NORMAL OPERATION THE FIREBOX DOOR MUST REMAIN SECURELY CLOSED.

6.2 REFUELLING

The stove is an intermittent combustion appliance so it requires refuelling. Once combustion is achieved inside the combustion chamber and consequently there are embers present, proceed with the first fuel feed:

- 1) Wait a few seconds and open slowly the firebox door using the appropriate glove to minimise the risk of smoke escaping and use the supplied riddling tool to spread the embers.
N.B. It is prohibited to light or reload the fuel with a bed of embers higher than 3 cm as this does not guarantee the correct use of the appliance.
- 2) Take one or two logs, each of which must not exceed the weight specified in the table, and lay them parallel in the centre of the grate in the combustion chamber, as illustrated in the figures below.
- 3) When loading the logs, take great care to keep them at least one centimetre apart, to ensure a correct air flow and avoid accumulations of gas in the combustion chamber.
For proper operation and safety of use of the appliance, the holes in the firebox grate must be kept clear at all times. For this reason, it is mandatory to remove every day any combustion residues from the firebox grate.

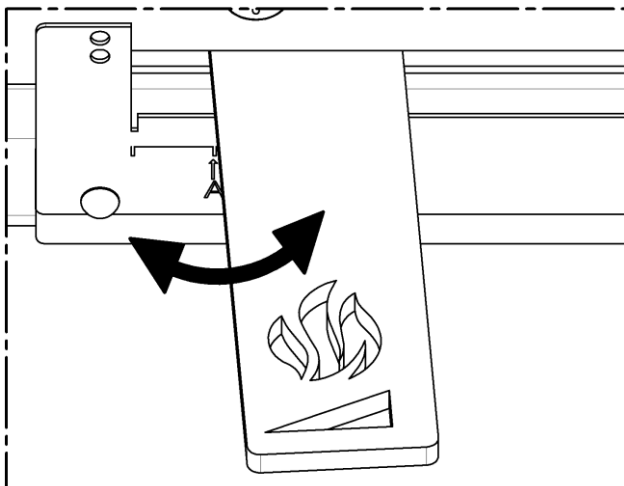
ZEN SERIES



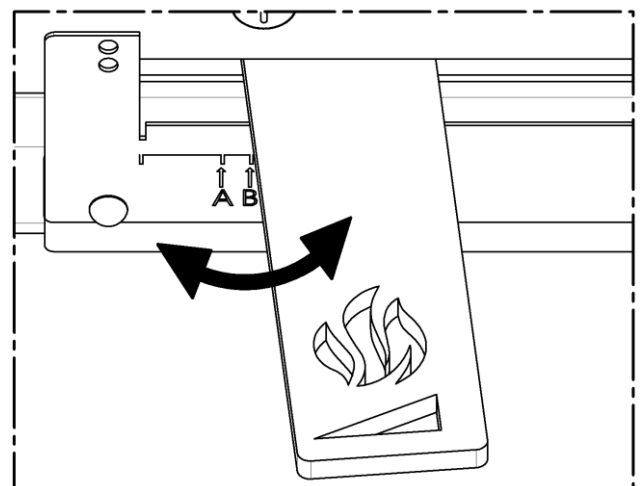
Model:	Number of logs	Weight (Kg)
ZEN W-T-O 4,8	1	1.28

Model:	Number of logs	Weight (Kg)
ZEN W-T-O 5,9	2	1.57
ZEN EVO6 W-T-O 7,7	2	2.15

- 4) Slowly close the firebox door.
- 5) Shift the primary air control to the position shown in the figures below:



Model:	Primary air control
ZEN W-T-O 4,8	Position A



Model:	Primary air control
ZEN W-T-O 5,9	Position B
ZEN EVO6 W-T-O 7,7	Position B

- 6) To rekindle the fire, clear the ash from the air passage slots to promote better combustion. Do not add additional fuel until the previous load has burnt or is reduced to embers, then open the firebox door slowly and place the logs in an orderly manner on the bed of embers. Complete the operation by slowly closing the door.

6.3 PRESCRIPTIONS FOR CORRECT OPERATION

- Respect the maximum declared consumption, do not overload the stove with excessive quantities of fuel as this could cause damage.



MAXIMUM PERMITTED FUEL FEED:

- 1.28 Kg for ZEN 4,8 - ZEN W 4,8 - ZEN T 4,8 - ZEN O 4,8
- 1.57 Kg for ZEN 5,9 - ZEN W 5,9 - ZEN T 5,9 - ZEN O 5,9
- 2.15 Kg for ZEN EVO6 7,7 – ZEN EVO6 W 7,7 – ZEN EVO6 T 7,7 – ZEN EVO6 O 7,7

THE FUEL FEED INTERVALS MUST NOT BE LESS THAN 1 HR.



LOADING A LARGER QUANTITY OF FUEL OR LOADING SEVERAL TIMES IN AN HOUR EXPOSES THE COMPONENTS OF THE APPLIANCE TO VERY HIGH TEMPERATURES. FOR THIS REASON, THE WARRANTY WILL NOT COVER ANY DAMAGE CAUSED BY PROLONGED EXPOSURE OF THE APPLIANCE TO THESE TEMPERATURES.



DO NOT THROW THE WOOD INTO THE COMBUSTION CHAMBER, PLACE IT IN GENTLY. THROWING THE WOOD COULD END UP BREAKING PARTS. DAMAGE CAUSED IN THIS WAY IS NOT COVERED BY WARRANTY.

- The appliance must not be used as an incinerator, the use of liquid or gaseous fuels is prohibited.
- Adhere strictly to the operating instructions set out in this manual.
- Always verify that the fuel loaded into the combustion chamber lights correctly. Make sure that this always occurs to avoid any buildup of combustible gases. The buildup of a high quantity of combustible gases could exceed the mechanical resistance of the glass and other components of the stove. For this reason, the manufacturer disclaims all responsibility.
- In adverse weather conditions, such as for example low pressure, windy or rainy days or days with high outside temperatures, the effect could be a drop in draught or reverse draught. In these situations, the flue gases may not be completely exhausted. Consequently, in these cases it is necessary to increase the primary air and load the smallest amount of fuel in order to reactivate the draught of the flue outlet. If you notice the smell of smoke in the room or stagnation of gases inside the combustion chamber avoid using the appliance.

6.4 RELEASING THE DOOR LATCH

If the door latch gets stuck in the closed position and you are unable to close the door, you will have to reset it using the poker supplied, as shown in the pictures below.



7 – CLEANING AND MAINTENANCE

7.1 FOREWORD



To guarantee correct operation and optimal performance of the appliance at all times carry out the operations described below. Observe the recommended frequency.

If the product is unused for a prolonged period of time before starting up, it is mandatory to inspect the smoke channel and outlet to ensure that there are no obstructions. It is important to carefully follow the instructions set out below: failure to observe these instructions could cause serious damage to the product, to the system, to objects and to persons using the appliance.



Attention: do not wet or touch the appliance with wet hands. Never vacuum hot ash: this could damage the vacuum device. All the cleaning operations described in this manual must be carried out when the appliance is cold.

ZEN SERIES

The user must periodically clean the appliance, or have an authorised service centre clean it, as described in this manual. Moreover, once a year it is advisable to have an inspection carried out of the functionality of the flue outlet.

7.2 CLEANING AND MAINTENANCE**EVERY TIME YOU REFUEL:**

- Clean the grate of the combustion chamber by de-ashing the grate through the slots. The air passage through the firebox grate must always be kept free from obstructions. Use the supplied riddling tool for this operation.



EVERY TWO DAYS or WHENEVER NECESSARY:

- Empty the ash pan. We recommend emptying the ash pan regularly before it fills up completely.

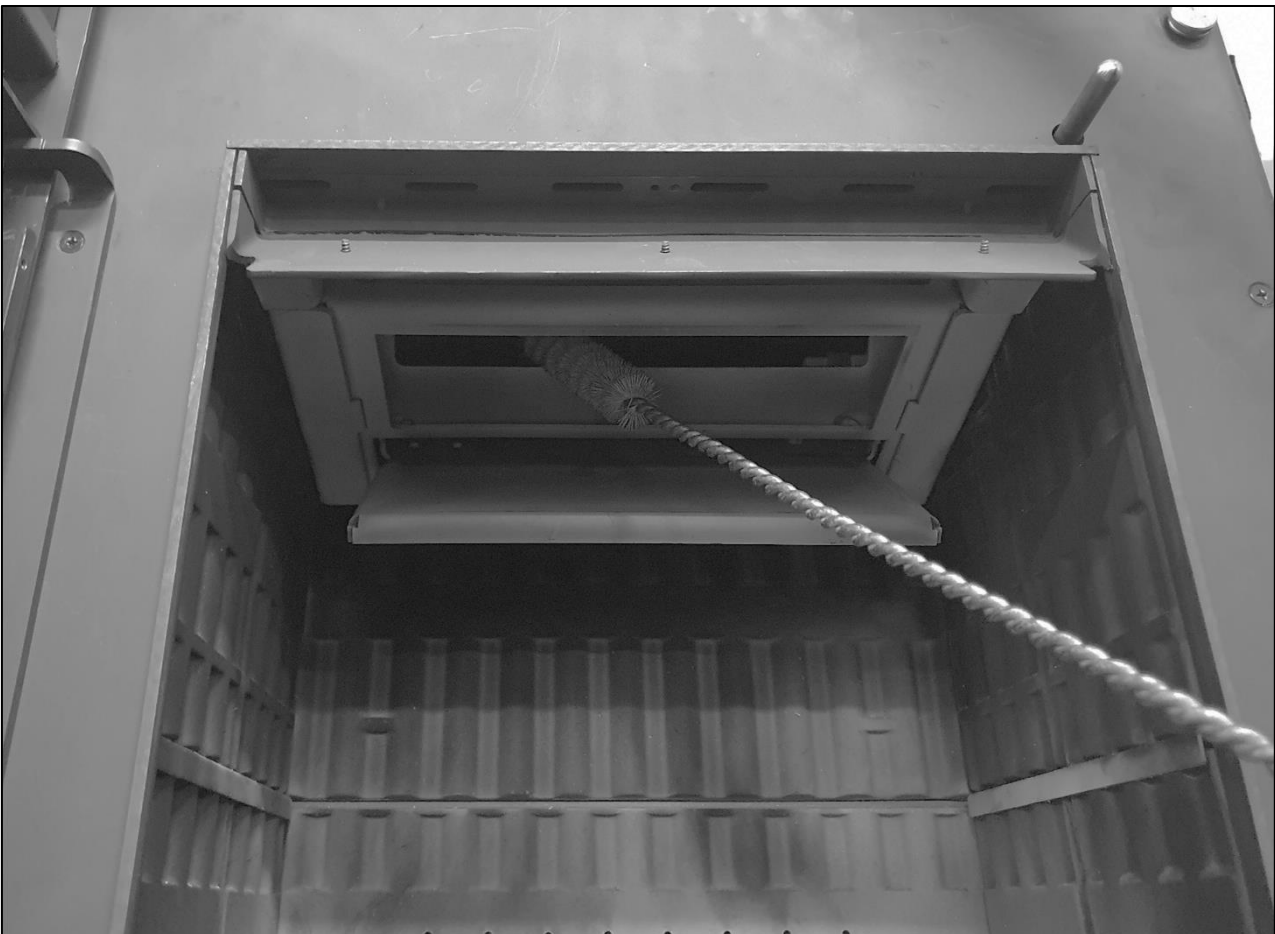


EVERY WEEK:

- Use an ash vacuum device to clean the combustion chamber.

EVERY 6 MONTHS:

- Clean the flue gas path with a flue brush as illustrated in the following photo:



- Thoroughly clean the appliance with an ash vacuum cleaner.

AT LEAST ONCE A YEAR:

- Clean the flue outlet. If there are any horizontal sections, inspect them and clean out any ash and soot deposits before they block the passage of the flue gases.

7.3 CLEANING THE GLASS

The glass of the combustion chamber must only be cleaned when the appliance is cool, using a damp cloth and/or mild detergents.

8 – SMOKE EXHAUST TUBE**8.1 FOREWORD**

Due to the frequent accidents caused by poor functioning of flue outlets installed in private dwellings, we have prepared the following paragraph to assist the installer in his inspection of the parts concerned with eliminating the gases produced by combustion.



The exhaust pipe must be installed in compliance with regulations UNI7129, UNI 10683, and with the stated reference values. In particular, the outlet must comply with fire prevention regulations.

It is important to carefully follow the instructions set out below: failure to observe these instructions could cause serious damage to the product, to the system, to objects and to persons using the appliance.

8.2 ROOM VENTILATION

ATTENTION: the presence of extraction fans or similar appliances, if operating in the same room or space in which the product is installed, could cause problems for the correct operation of the product.

ATTENTION: do not obstruct the vents or the air inlets on the appliance.

The room where the appliance is installed must have a good air inflow to guarantee air for the appliance for the combustion process and for ventilation of the room. The natural air inflow must take place directly through permanent openings on the outer walls or through single or multiple ventilation ducting.

The ventilation air intake must be located away from pollution sources.

The openings in the walls must comply with the following conditions:

- have an unobstructed section of at least 6cm² for each Kw of installed thermal power, with a minimum limit of 100cm²;
- be made in such a way that the vent openings, both on the inside and outside of the wall, cannot be obstructed;
- be protected with grills or similar systems that do not reduce the opening section indicated above;
- be situated at a height near-floor level and they must not obstruct the correct operation of the combustion product discharge devices; if this position is not possible, the section of the ventilation openings must be enlarged by at least 50%.



The following chapter is not intended to replace UNI 7129, UNI 10683 and EN13240 standards. The qualified installer must in any case be fully aware of this standard and its amending versions.

8.3 SMOKE OUTLET

The smoke channel, the exhaust pipe, chimney and flue outlet (defined as the system for the evacuation of combustion products), are parts of the heating system and they must comply with the legislative requirements of the Ministerial Decree D.M. 37/08 (ex Italian Law 46/90) and to the applicable specific installation regulations, according to the type of fuel. Fireplaces, stoves and barbecues must not be installed in locations where gas appliances type A and type B are present and operating (for the classification see UNI 10642 and UNI 7129). The connection between the appliance and the flue outlet must only receive exhaust from one heat generator.



The installer must provide one or more access points on the flue outlet to check the emissions once the appliance has been installed; these access points must be made in such a way as to be airtight sealable to prevent exhaust gas leaks. It is recommended to provide insulation and to ensure the optimal sizing of the flue outlet in order to avoid the possible risk of condensation forming in the flue outlet.

8.3.1 CHIMNEY TYPES

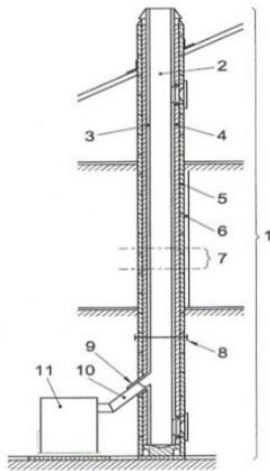
The following types of chimneys, constructed as described, are possible:

- System: chimney installed using a combination of compatible components (flue liner, insulation, outer casing, etc.), manufactured or specified by a single manufacturer and EC certified in accordance with the applicable standard;
- Composite chimney: chimney installed and built on site using a combination of compatible components such as flue liner (wall in direct contact with the flue gases), possibly also insulation and outer casing (wall) that may be supplied by different manufacturers or by the same manufacturer;
- Relining: operation involving the installation of a specific pipe in an existing shaft (even if newly constructed) made of non-combustible materials, free from obstructions and for single use.

8.3.2 FLUE OUTLET / FLUE SYSTEM COMPONENTS

Components and accessories of a chimney

- 1 Chimney
- 2 Flow path
- 3 Smoke discharge tube
- 4 Thermal insulation
- 5 External wall
- 6 Outer lining
- 7 Flue outlet section
- 8 Multiwall chimney
- 9 Connector
- 10 Flue pipe
- 11 Heat generator



Every chimney must have a minimum number of components as laid down by standard UNI EN 1443 which are also indicated in the figure on the side.



ATTENTION: Wall outlets, that is outlets installed on the outer front wall without the use of a chimney/flue outlet /flue pipe to convey the combustion products to the roof, are strictly prohibited.

8.3.3 CONTROLS PRIOR TO INSTALLING THE APPLIANCE

The user must possess a certificate of conformance for the flue outlet (Ministerial Decree 22 January 2008, no. 37).

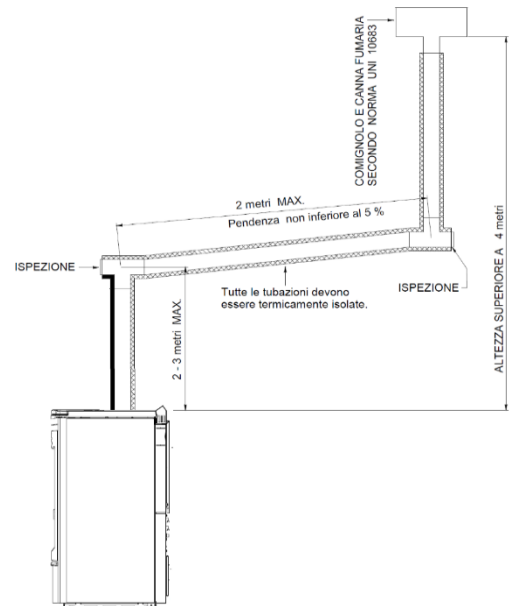
The flue outlet must be built in compliance with UNI 10683.

The smoke exhaust illustrated in the figure on the side is the best solution required to ensure that the flue gases are discharged. If you prefer to exhaust the smoke from the roof insert a union tee with inspection cap, connecting brackets suitable for the height of the flue outlet, flashing that crosses the roof and chimney cap to protect against bad weather conditions.

If you decide to use the classic masonry exhaust provide a union tee with inspection cap and suitable supporting brackets. If the flue outlet is too big, it is necessary to insert a stainless steel or porcelain-coated steel tube with suitable diameter.

Seal area where the inlet and outlet part of the smoke exhaust meets the wall. It is strictly forbidden to apply mesh to the end of the outlet tube, as it could cause the appliance to malfunction.

If the smoke tube is installed in a fixed position, it is advisable to provide inspection openings for clean-out purposes especially in the horizontal sections.



LEGENDA	KEY
COMIGNOLO E CANNA FUMARIA SECONDO NORMA UNI 10683	CHIMNEY CAP AND FLUE OUTLET ACCORDING TO UNI 10683 STANDARD
2 -3 metri MAX	2 -3 metres MAX.
2 metri MAX	2 metres MAX
Pendenza 3-5%	Slope 3-5%
ALTEZZA SUPERIORE A 5 m	HEIGHT MORE THAN 5 m
Tutte le tubazioni devono essere termicamente isolate	All the pipes must be thermally insulated
ISPEZIONE	INSPECTION

See the diagram. These openings are essential to allow for the removal of ash and unburned products which tend to accumulate along the discharge path. Seal the fittings with red silicone (resistant to 350°C).

The outer casing of the tube must be made with insulating material (mineral wool, ceramic fibre) or use pre-insulated tubing.

THE FLUE OUTLET MUST BE USED ONLY FOR THE APPLIANCE.

It must be possible to inspect and remove all the smoke tube sections for clean-out purposes.



ATTENTION: if the flue outlet is not sufficiently insulated and /or if it is too long it could generate condensation. It is advisable to provide a condensation drain near the smoke outlet of the appliance. The appliance must always and only be installed in a single flue outlet system dedicated exclusively to the appliance. If the generator is connected to a non-compliant flue system the appliance could rapidly deteriorate due to an abnormal, continuous overheating: in this case the damaged parts will not be covered by warranty.

ZEN SERIES

IF THE CHIMNEY CATCHES FIRE, CLOSE THE PRIMARY AND SECONDARY AIR LEVERS IMMEDIATELY AND CALL THE FIRE BRIGADE.

9 – PROBLEMS, CAUSES AND SOLUTIONS

PROBLEM	CAUSE	SOLUTION
Difficulty in lighting the cooker.	Blocked grate.	Clean the grate.
	Moist wood or too thick.	Use smaller sized and more seasoned wood.
	Poor draught.	Clean the ash pan. Thoroughly clean the flue gas path and/or the flue outlet Check the flue pipe: <ul style="list-style-type: none"> • for constrictions • too many curves • bad insulation • section too small
Smoke in the room. Difficulty maintaining the fire. The oven is not heating properly. Flame insensitive to draft variations. Puffs while operating.	Poor draught.	Clean the ash pan. Thoroughly clean the flue gas path. Clean (or have someone clean) the flue. Check the flue pipe: <ul style="list-style-type: none"> • for constrictions • too many curves • bad insulation • section too small
	No air in the room.	Create an adequate opening for the air.
	Moist wood or too thick.	Use smaller sized and more seasoned wood.
The fuel is burning too quickly, uncontrolled combustion.	Excessive draught.	Reduce draught of the flue outlet by installing a suitable device (e.g. draught regulator).
The oven thermometers have drifted or yellowed. The handle has warped. Broken components inside the combustion chamber.	Excessive consumption of wood, more than the amount indicated in this manual. Incorrect use of the appliance. No or poor cleaning of the appliance.	Contact a service centre to restore the appliance for a fee, then use the appliance as instructed in this manual and comply with all the supplied instructions.

IF THE RECOMMENDED REMEDIES DO NOT SOLVE THE PROBLEM, CONTACT A QUALIFIED TECHNICAL ASSISTANCE SERVICE.

10 – CONDITIONS OF WARRANTY

POINT 1A

Every Thermorossi product is delivered with this warranty certificate. This warranty is to be considered a **conventional guarantee** as defined in art. 133 of Italian Legislative Decree no. 206 dated 6 September 2005 (so-called Consumer Code). This warranty does not in any way affect the rights expressly granted to the consumer concerning the sale of consumer goods as set forth in Italian Legislative Decree no. 206/2005. The consumer is therefore always entitled to exercise these rights with the seller, under the terms and conditions established by the aforementioned legislative decree and by this conventional guarantee.

This warranty is valid only in the case where the product is purchased for domestic uses (i.e. the subject is a consumer as defined in art. 3 paragraph 1, point A of Italian legislative decree 206/2005) and, in any case, not for business or professional purposes. Barring the cases provided for by law, it is the responsibility of the purchaser to demonstrate any product defects and should such product be found to be fully functional, the warranty will be considered inapplicable. The warranty is valid only if the product is installed, used and serviced in accordance with all the instructions provided in the use, maintenance and installation guide delivered with the product.

This warranty certificate is valid solely for the parts mentioned herein.

The warranty is valid for 24 months for the product, excluding the components expressly indicated in point 1C herein. Thermorossi is therefore not responsible for demonstrating the full functionality of the system to which the product is connected, which remains the customer's responsibility. The warranty is subject to the limits and exclusions specified in this warranty certificate and exclusively under the conditions stated herein. In any case, for a warranty claim to be taken into consideration, the customer must report the non-conformity to the seller in writing no later than two months from the date of its identification. The warranty is null and void if this deadline is not respected. The purchaser is responsible for demonstrating that this warranty is valid; this can be done by presenting a delivery document issued by the seller or another document (receipt, till receipt or similar...) indicating the name of the seller, the product identification details (e.g. model code) and the date of the sale or delivery date if later.

Therefore, for the warranty to be valid, the above documentation must be kept by the consumer and shown when the product is being inspected/repaired. This warranty is valid solely under the following conditions:

- all product installation or connection operations are carried out by personnel qualified in accordance with law, who must issue an appropriate declaration of conformity attesting that the work has been carried out according to best practices and scrupulously following the instructions provided in the use, maintenance and installation guide delivered with the product and the regulations regarding systems and safety;
- all operations involving the use of the product, as well as periodic maintenance, must be carried out according to the instructions and indications provided in the use, maintenance and installation guide delivered with the product;
- all repairs to the product must be carried out by personnel of Thermorossi S.p.A. authorised service centres;
- only original Thermorossi spare parts, accessories and consumables must be used.

The warranty (if present) on the **vitrified body** lasts **8 years** from the invoice date.

The warranty (if present) on the **standard wet body** lasts **4 years** from the invoice date.

Both the warranty on the vitrified body and that on the standard wet body, if present, only cover the internal surface of the combustion chamber in contact with combustion gases, notwithstanding the limits and exclusions listed in this warranty certificate and exclusively in the conditions hereby reported. It shall not apply if the product was not installed by a qualified technician who has verified that all characteristics of the system are suitable. Such characteristics must comply with the legislation on safety and systems. It shall not apply if the product is connected to a system that may cause corrosion, deposits or breakage due to stray currents, condensation, water aggressiveness or acidity, improper descaling treatments, lack of water, sludge or limescale deposits. Failing to connect the system circulating pump to the specific terminal block in the generator causes the warranty to be immediately declared null and void. The system must necessarily guarantee a return water temperature exceeding 55°C.

POINT 1B

Components damaged by causes and/or events external to the product are excluded from this warranty.

The warranty does not apply to damage caused by: excessive or insufficient flue outlet draught, lack of maintenance, failure to clean the product, atmospheric and chemical agents, corrosion of any type and/or nature, fuel overloads, fire, cleaning, tampering with the product, parts damaged due to overheating caused by a lack of maintenance or excess fuel load.

POINT 1C

The following components are excluded from the warranty: door ceramic glass, majolica tile parts, refractory materials, painted or galvanised parts, enamelled parts, gaskets, knobs, handles, thermometers and consumables in general. Warranty replacement does not imply any resetting of the conventional guarantee or its extension. Colour variations on the majolica tiles and the presence of crazing or spotting are not a reason for claims because they are natural characteristics of the materials themselves. Parts found to be defective due to negligence or careless use, damage during transport, incorrect maintenance, or incorrect installation, are not covered by the warranty.

POINT 2A

The technical assistance centre will take appropriate action as soon as possible in the event of failure of the product to function. In this regard, no compensation shall be due for damage or problems following forced inactivity of the product. Repairs or replacements carried out under this conventional guarantee do not imply any resetting of the conventional guarantee or its extension. Thermorossi will repair the product if possible and this is not too costly for the company. The product will only be replaced if it is objectively impossible to repair it and its replacement is not too costly. The product will not be replaced if external factors have caused evident malfunctions. For the purposes of this conventional guarantee, replacement of the product shall be considered too costly if it entails unreasonable expenses compared to its repair, taking into account the estimated value of the product without the defect, the seriousness of the non-conformity and the possibility of repairs being carried out without significantly inconveniencing the consumer. If technical assistance is provided by the personnel of the technical assistance centres at the customer's request, and such assistance is provided outside the warranty (e.g. because the warranty is not valid, because the customer has not sent the warranty certificate in the set times, or because the part is excluded from this warranty), the costs of such assistance will be charged in full to the customer. These costs include:

Call-out fee, the cost of labour and any parts to be replaced. These costs will be of a reasonable amount and the customer can ask the assistance centre for an indication of the amounts in advance. In any case, it should be noted that requests for assistance "under warranty" which, based on the report and analysis carried out by the assistance centre, are the result of tampering, negligence or non-compliant installation, lack of cleaning or in any case not falling within the scope of this conventional guarantee, will entail:

Call-out fee, the cost of labour and any parts to be replaced. These costs will be of a reasonable amount and the customer can ask the assistance centre for an indication of the amounts in advance.

POINT 2B

Thermorossi S.p.A. declines liability for any damage directly or indirectly caused to persons, animals or property, due to or related to installation that does not comply in full with current regulations and/or installation, use and maintenance that does not comply in full with all the instructions contained in the installation, use and maintenance guide delivered with the product.



THERMOROSSI ^{tr}

Fire Lovers

THERMOROSSI S.p.A.

Via Grumolo, 4 (Z.I.) 36011 Arsiero (VI) - ITALY

Fax 0445.741657 - www.thermorossi.com - info@thermorossi.it